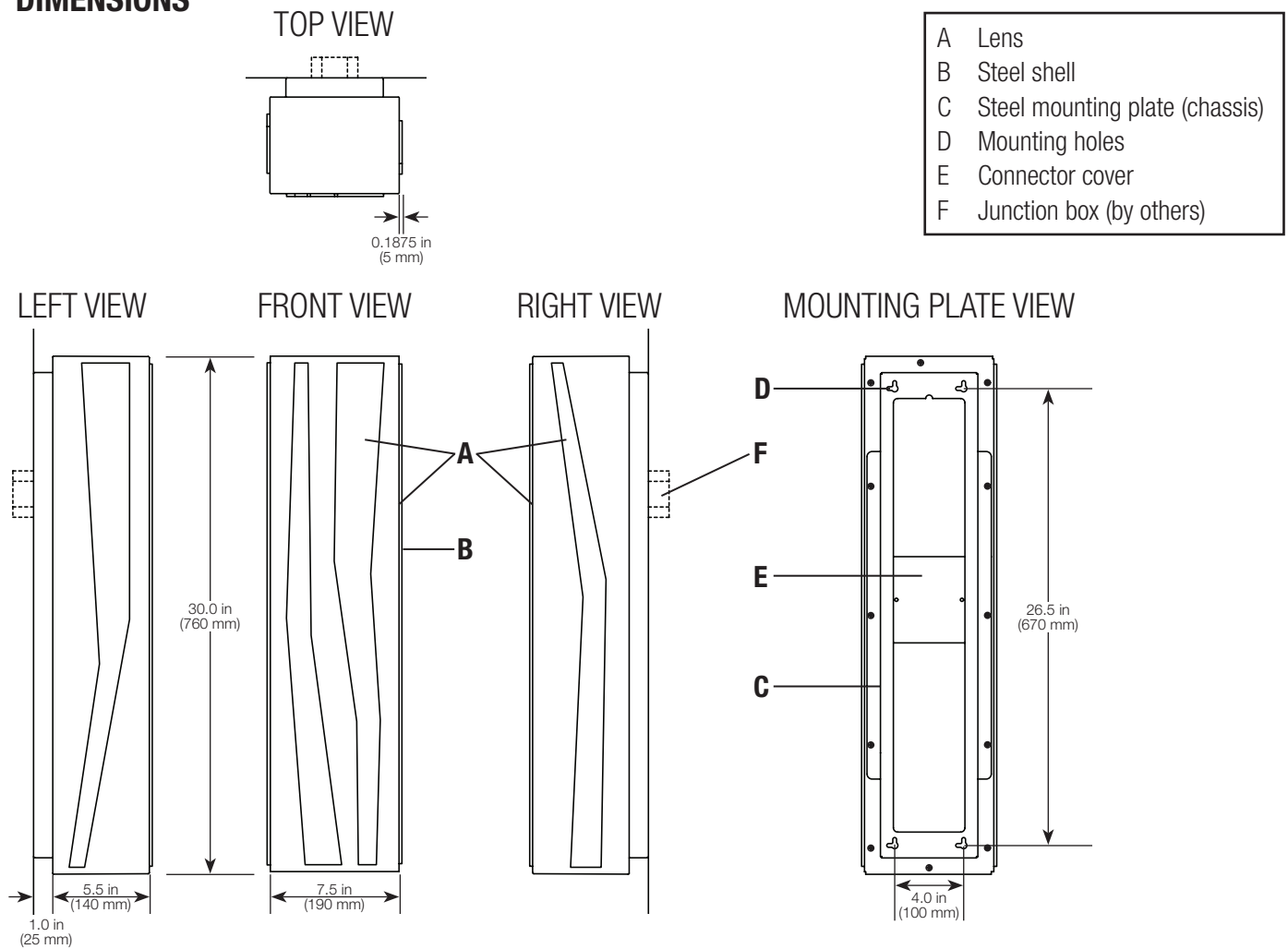


### DIMENSIONS



### APPLICATIONS

An indirect/direct luminaire that can be mounted vertically or horizontally in applications that require a 30 in, 60 in, or 90 in wall-mounted decorative sconce. Common applications include: areas next to elevators, on columns, between windows, and in reception areas.

### PRINCIPAL FEATURES

**Fixture Shell:** Constructed using fabricated steel.

**Lens:** Translucent acrylic.

**Lamp:** DMX controllable White or RGB LEDs.

**Controls:** DMX control of individual LEDs (WL, RG lamp codes only). Non-dimming (WL, RL, GL, BL, AL lamp codes only) 120 V~ and 277 V~.

Requires a Color Kinetics iPlayer 3 for pulse and/or color changing operation (Model#: IPLAYER-S).

**Mounting:** Steel wall mounting system with mounting plate. For wall mounting only.

**Junction Box:** 4 in (102 mm) octagonal or round recessed junction box (supplied by others).

**Weight:** 25 lb (11.36 kg)

Technical documents available at [www.lutron.com/ivalo](http://www.lutron.com/ivalo)

### ORDERING GUIDE

**Included in standard fixture:** Mounting system, lamp fixture shell with lens and driver.

### BASE UNIT CONFIGURATION GUIDE

Select appropriate code in each column to complete model number.

Example:

S	N	D	30	L	WL	2	W	P	U	PS	
FAMILY	TYPE	ORIENTATION	LENGTH	LAMP	LED COLOR	VOLTAGE	MOUNTING	CONTROL	REGION	SHELL COLOR	
S Silvus	N Interior Sconce	D Direct/Indirect	30 30 in (762 mm)	L LED String	RL Red 20 W	2 120 V~	W Wall Mount	P Pulse*†	U UL - North America	PS ● Silver	PM ● Metallic Silver
			60 60 in (1524 mm)		GL Green 20 W	4 240 V~				N Non-Dim	I International
	90 90 in (2286 mm)		BL Blue 20 W		7 277 V~				GT ○○ Gloss Titanium	MT ○○ Matte Titanium	
			AL Amber 20 W						GG ○○ Gloss Graphite	MG ○○ Matte Graphite	
			WL Warm White 10 W						GC ○ Gloss Copper	MC ○ Matte Copper	
			RG RGB* 12 W						GF ○ Gloss Flame	MF ○ Matte Flame	
										GP ○ Gloss Pearl White	MP ○ Matte Pearl White
										GL ○ Gloss Lapis	ML ○ Matte Lapis
										GE ○ Gloss Ebony	ME ○ Matte Ebony
										GA ○ Gloss Arctic White	MA ○ Matte Arctic White
										PB Bronze	

**KEY:**  
 \* = Requires Color Kinetics iPlayer 3 (see below)  
 ● = Standard color options (others are special order)  
 ○ = Interior only  
 † = Available in Warm White (WL) and RGB (RG) LED colors.

- Custom control options, colors and hanging options are available. Contact fixtures customer service at [fixtures@lutron.com](mailto:fixtures@lutron.com)
- For applications in harsh environments (e.g., near oceans or salt water) contact fixtures customer service at [fixtures@lutron.com](mailto:fixtures@lutron.com)
- Automotive paint is not available for exterior fixtures.
- Not for use in Quebec.

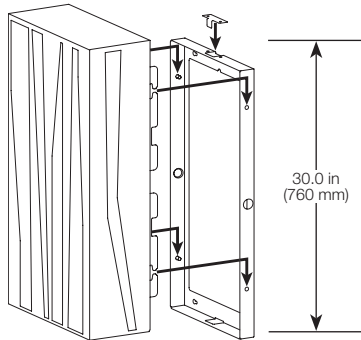
### \* PULSE CONTROL LED OPTIONS

Warm White (WL) or RGB (RG) "LED Color" options with the selection of the Pulse (P) "Control" option require the purchase of a separate DMX controller capable of color control of up to 60 RGB devices. All fixtures with a pulse option support pass through wiring so a single controller will allow all fixtures to run the same program. The part numbers below are for a controller that is pre-programmed with a gentle pulsing program. The Warm White (WL) "LED Color" option contains a single program for white LEDs while the RGB (RG) "LED Color" option contains several popular solid color pulsing programs and a slow pulsing color fade program. Color Kinetics iPlayer 3 software is provided with each controller for easy creation of custom colors or effects.

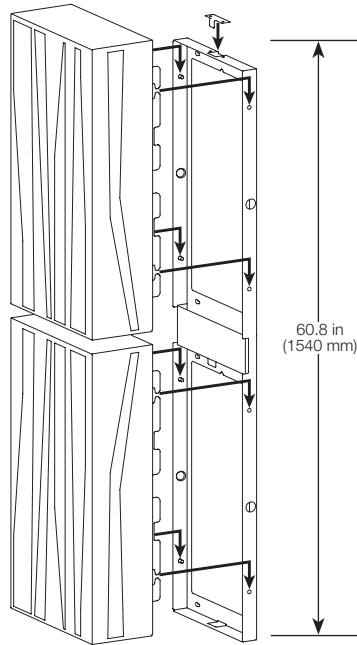
Controller	Part Number	LED Type	Programs
Color Kinetics iPlayer 3	IPLAYER - S	RGB (RG)	Pulse Color Fade Pulse Green Pulse Blue Pulse Magenta Pulse Amber
		Warm White (WL)	Pulse White

### MOUNTING

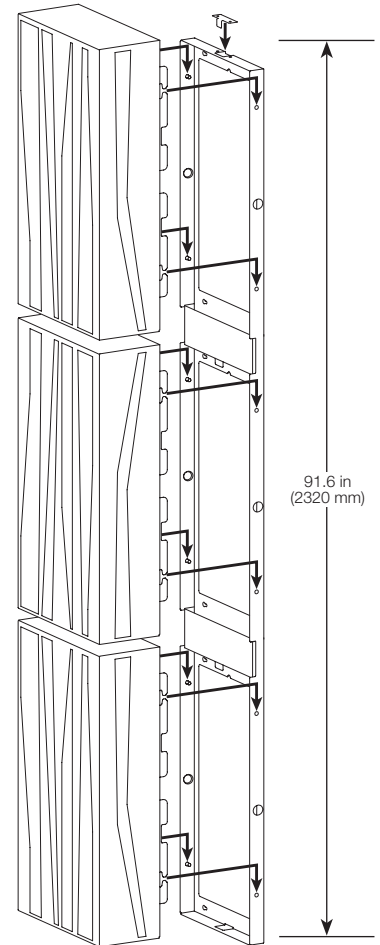
SILVUS® 30



SILVUS® 60



SILVUS® 90



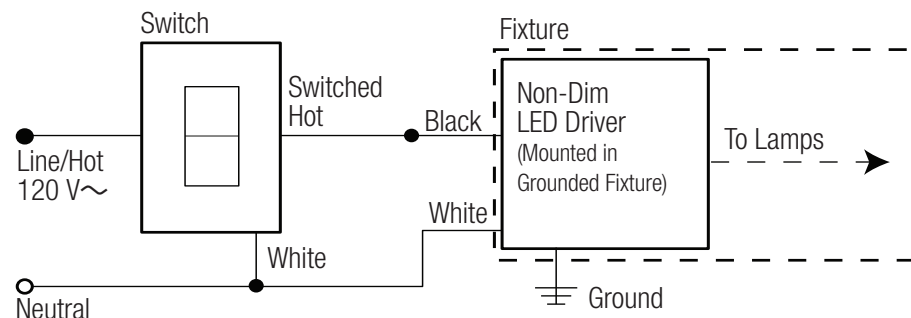
Fixtures are ADA compliant when bottom edge is at or below 27 in (686 mm) from floor.

### LED CONFIGURATIONS

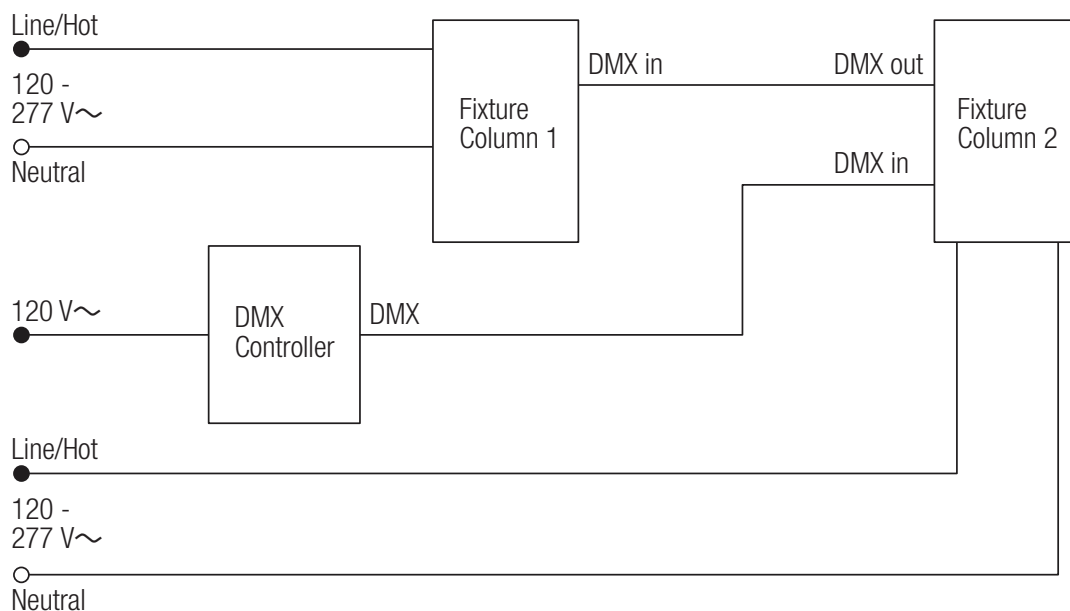
LED Type	Control Options
Red (RL)	None
Green (GL)	
Blue (BL)	
Amber (AL)	
Warm White (WL)	
Warm White (WL)	Pulse (requires a Color Kinetics iPlayer 3)
RGB (RG)	

### CIRCUIT DIAGRAMS

#### SWITCHING



#### PULSE



Lutron, Lutron, EcoSystem, IVALO, and IVALO Lighting, and Silvus are trademarks of Lutron Electronics Co., Inc., registered in the U.S. and other countries. Lutron Ivalo Collection is a trademark of Lutron Electronics Co., Inc.

©2013-2018 Lutron Electronics Co., Inc.

Lutron Electronics Co., Inc.

7200 Suter Road, Coopersburg, PA 18036

Telephone 610.282.7472 Fax 610.282.7600

[fixtures@lutron.com](mailto:fixtures@lutron.com)

For limited 10-year warranty details, see

[www.lutron.com/TechnicalDocumentLibrary/3683454.pdf](http://www.lutron.com/TechnicalDocumentLibrary/3683454.pdf)

Specification subject to change without notice