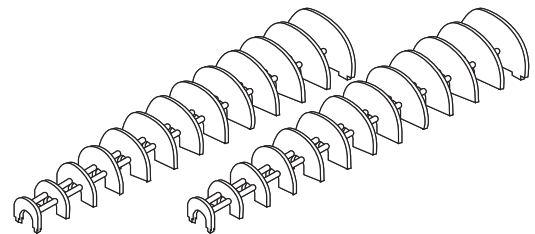


- A - Mounting Chassis
- B - Aluminum Canopy
- C - Black Plastic Grommet
- D - Suspension (poles or cables)
- E - Grille (option kit)
- F - Aluminum Shell
- G - Lens (direct/indirect only)
- H - LED Diffuser
- I - Tension Rods and Spacers
- J - Pole or Cable Attachment Point
- K - Reflector
- L - Junction Box (by others)

Grilles with Polycarbonate Disks (sold separately)



APPLICATIONS

A direct/indirect or indirect sculptural luminaire for interior applications that require an architectural element and lighting performance such as:

COMMERCIAL: Lobby, reception areas, atrium, art space, boardroom, conference room, and executive office.

RESIDENTIAL: Kitchen (not for use over cook top or grill), dining room, and home office.

For interior use only.

SPECIFICATIONS

JUNCTION BOX: 4 in (102 mm) octagonal or round junction box supplied by others. Requires fixture brace for suspended ceilings.

WEIGHT: Cable Version – 12 lb (5.5 kg)

DECIBEL RATING: Quiet in a 25 dB room.

THD: <15%

POWER FACTOR: >0.95

PRINCIPAL FEATURES

CANOPY SHELL: Constructed using stamped aluminum.

FIXTURE SHELL: Constructed using stamped aluminum.

LENS: Translucent Acrylic (direct / indirect only).

LIGHT SOURCE: 2700 K, 3000 K, or 3500 K, 95 CRI (typical) integrated LEDs.

CONTROL TYPE: Lutron® 1% 2-Wire dimming (120 V~), 1% 3-Wire dimming (120–277 V~), 1% EcoSystem® dimming (120–277 V~), or non-dimming (120–277 V~).

SUSPENSION: Streamlined cable system that integrates an insulated current-carrying wire with exterior braided stainless steel sheath. Available for 12 ft (3658 mm) and 16 ft (4877 mm) high ceilings. Longer lengths available upon request. Pole versions also available.

MOUNTING: Standard mounting to junction boxes. No special hardware required. For interior use only.

GRILLE OPTION KIT: Includes clear or frosted polycarbonate disks coated with a silicone hard coat and tension rods with spacers. Order this kit separately from the main unit.

COMPATIBLE CONTROLS

For a list of compatible controls and technical documents, visit www.lutron.com/lvalo

ORDERING GUIDE

INCLUDED WITH STANDARD FIXTURE: Canopy shell, mounting chassis, fixture shell, poles/cables, lens, dust cover, LEDs, and driver.

BASE UNIT CONFIGURATION GUIDE

Select appropriate code in each column to complete model number.

Example:

A	P	—	48	L	—	—	—	—	—	—	—	—	—
FAMILY	TYPE	LIGHT ORIENT	LENGTH	# OF LAMPS	LAMP TYPES	VOLTAGE	SUSPEN	CONTROL OPTION	REGION	CANOPY FINISH		SHELL FINISH	
A Aliante	P Pendant	D Direct/ Indirect	48 48 in ¹	L LEDs, 95 CRI	27 44 W 2000 lm 2700 K	2 120 V~	2 Cables up to 12 ft (3658 mm) Ceiling	N Non-dimming	U UL-North America	GT● Gloss Titanium	MT● Matte Titanium	GT● Gloss Titanium	MT● Matte Titanium
		N Indirect			30 44 W 2000 lm 3000 K	4 220/240 V~	6 Cables up to 16 ft (4877 mm) Ceiling	2 ² 1% 2-Wire Dimming 120 V~ only		I International	GS● Gloss Slate	MS● Matte Slate	GS● Gloss Slate
					35 44 W 2000 lm 3500 K	7 277 V~	P Pole	3 1% 3-Wire Dimming 120-277 V~		GG● Gloss Graphite	MG● Matte Graphite	GG● Gloss Graphite	MG● Matte Graphite
								E 1% EcoSystem® Dimming		GF Gloss Flame	MF Matte Flame	GF Gloss Flame	MF Matte Flame
										GC Gloss Copper	MC Matte Copper	GC Gloss Copper	MC Matte Copper
										GP Gloss Pearl White	MP Pearl White	GP Gloss Pearl White	MP Pearl White
										GL Gloss Lapis	ML Matte Lapis	GL Gloss Lapis	ML Matte Lapis
										GE Gloss Ebony	ME Matte Ebony	GE Gloss Ebony	ME Matte Ebony
										GA Gloss Arctic White	MA Matte Arctic White	GA Gloss Arctic White	MA Matte Arctic White
										AN Brushed Anodized Clear	AB Brushed Anodized Black	AN Brushed Anodized Clear	AB Brushed Anodized Black
										PS Silver	PM Metallic Silver	PS Silver	PM Metallic Silver
										PB Bronze		PB Bronze	

¹ Refer to the "Dimensions" section for exact dimensions.

² 120 V only.

KEY:

● = Standard color options
(others are special order)

NOTES:

- Custom color, hanging, and fixture options available. Contact fixtures customer service at fixtures@lutron.com.

Not for use in Quebec.

GRILLE OPTION KIT

Order separately from the base unit.

Example:

A	P	G	48	—
FAMILY	TYPE	OPTION	LENGTH	FINISH
A Aliante	P Pendant	G Grille	48 48 in*	CLR Clear
				FRO Frosted

PHOTOMETRIC DATA

4 ft Aliante LED Pendant with Acrylic Lens, 3500 K LEDs
(APD48L352_-_U_-_)

Measured in an Integrating Sphere

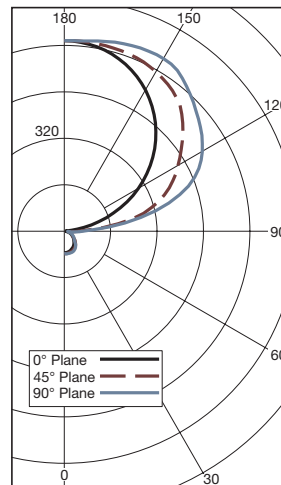
LIGHT OUTPUT (lm)	2338
INPUT POWER (W)	44.65
EFFICACY (lm/W)	52.4
COLOR ACCURACY (CRI)	96.1
COLOR TEMPERATURE (K)	3430

Measured with a Goniophotometer

ZONAL LUMEN SUMMARY		
ZONE	LUMEN (LM)	% LUMINAIRE
0-30	41	1.73
0-60	118	4.99
0-90	157	6.65
90-180	2207	93.35
0-180	2364	100.00

CANDELA TABLE			
ANGLE	0°	45°	90°
0°	76	76	76
5°	76	76	77
45°	47	57	55
90°	4	33	50
135°	444	572	627
180°	659	659	659

CANDELA PLOT



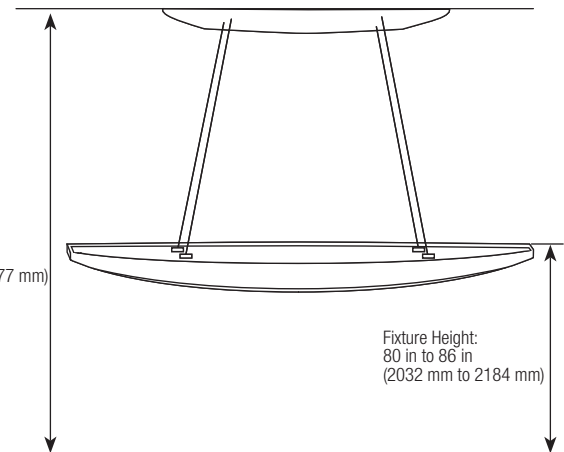
Note: IES files available at
www.lutron.com/ivalo

MOUNTING

Top edge of fixture should be 80 in (2032 mm) or higher to avoid seeing the lamp from a standing position. This is a suggested height and for aesthetic appearances the lamp can be hung higher or lower.

CEILING HEIGHT	SUSPENSION CODE	ADJUSTABLE CABLE LENGTH
Up to 144 in (3658 mm)	2	16 in to 60 in (406 mm to 1524 mm)
144 in to 192 in (3658 mm to 4877 mm)	6	16 in to 108 in (406 mm to 2743 mm)
Above 192 in (4877 mm)	Contact Lutron	Contact Lutron

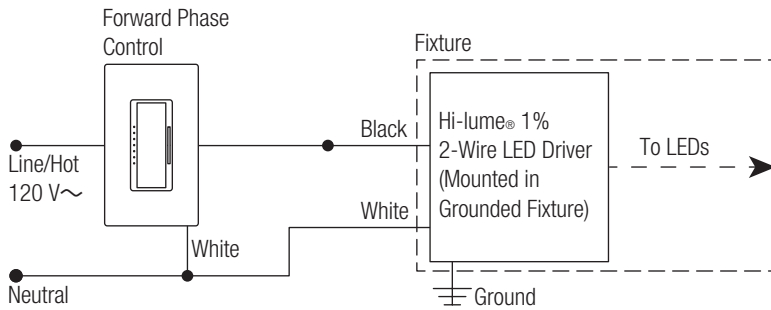
Ceiling Height:
12 ft to 16 ft
(3658 mm to 4877 mm)



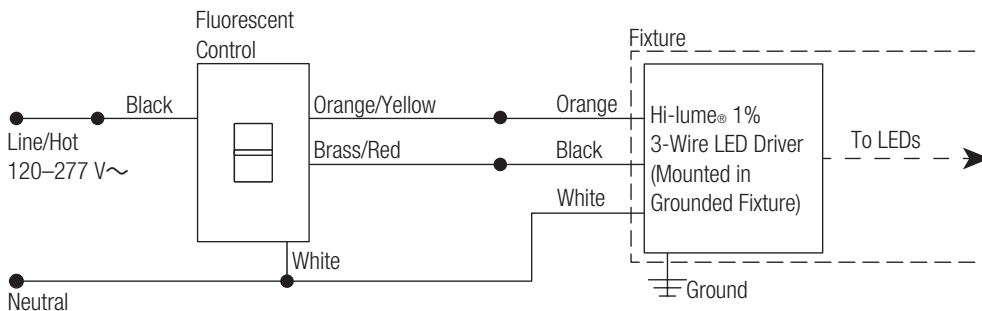
Fixture Height:
80 in to 86 in
(2032 mm to 2184 mm)

CIRCUIT DIAGRAMS

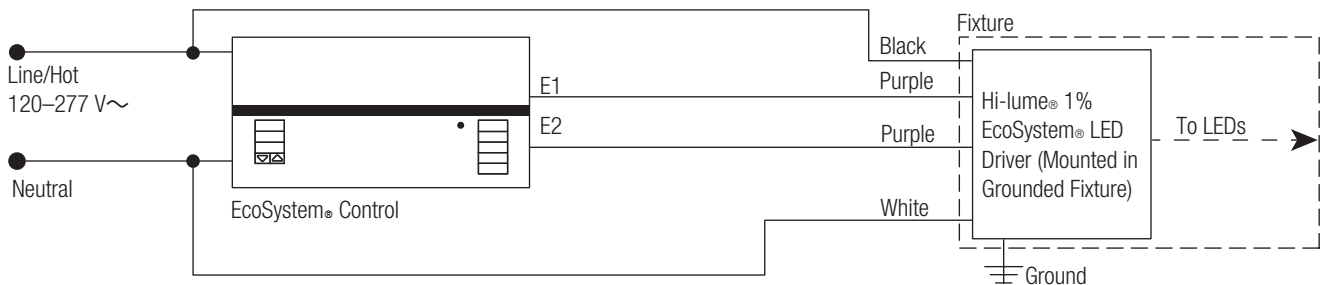
2-WIRE FORWARD PHASE CONTROL (120 V~ ONLY)



3-WIRE CONTROL (120–277 V~)



EcoSystem® DIGITAL CONTROL (120–277 V~)



- For best lighting performance, the low-end level may need to be trimmed.
- For Maestro® controls - please see Lutron® Application Note #370 (P/N 048370) at <http://www.lutron.com/TechnicalDocumentLibrary/048370A.pdf> for more details.
- For all other controls - please see the product instruction sheet or visit www.lutron.com
- Contact Fixtures Customer Service at fixtures@lutron.com for custom mounting options.
- For a list of compatible controls and control ratings, visit www.lutron.com/Ivalo or contact the LED Control Center of Excellence at 1.877.DIM.LED8



Lutron, Lutron, Maestro, EcoSystem, IVALO, IVALO Lighting (registered in the U.S. only), and Aliante are registered trademarks and Lutron Ivalo Collection is a trademark of Lutron Electronics Co., Inc.

©2015–2016 Lutron Electronics Co., Inc.

Lutron Electronics Co., Inc.
7200 Suter Road, Coopersburg, PA 18036
Telephone 610.282.7472 Fax 610.282.7600
fixtures@lutron.com

For limited 10-year warranty details, see www.lutron.com/TechnicalDocumentLibrary/3683454.pdf

Specification subject to change without notice