

- A - Aluminum Shell
- B - Hinge (2)
- C - Locking Screw (2)
- D - Mounting Hole (4)
- E - Mounting Bracket (chassis)
- F - Lens (direct/indirect)
- G - LED Diffuser
- H - Junction box (by others)

APPLICATIONS

A direct/indirect or indirect sculptural luminaire that can be mounted vertically, horizontally, or at an angle. For interior applications that require a wall mounted decorative sconce such as:

COMMERCIAL: Lobby, reception areas, atrium, art space, boardroom, conference room, and executive office.

RESIDENTIAL: Kitchen, dining room, and home office.

For interior use only.

SPECIFICATIONS

JUNCTION BOX: 4 in (102 mm) octagonal or round junction box supplied by others.

WEIGHT: 11 lb (5 kg)

DECIBEL RATING: Quiet in a 25 dB room.

THD: <15%

POWER FACTOR: >0.95

PRINCIPAL FEATURES

FIXTURE SHELL: Constructed using stamped aluminum.

LENS: Translucent Acrylic (direct/indirect only).

LIGHT SOURCE: 2700 K, 3000 K, or 3500 K, 95 CRI integrated LEDs.

CONTROL TYPE: Lutron® 1% 2-Wire dimming (120 V~), 1% 3-Wire dimming (120–277 V~), 1% EcoSystem® dimming (120–277 V~), or non-dimming (120–277 V~).

MOUNTING: Standard mounting to junction boxes. No special hardware required. For interior use only.

ADA COMPLIANT: Designed to protrude less than 4 in (102 mm) from the wall.

COMPATIBLE CONTROLS

For a list of compatible controls and technical documents, visit www.lutron.com/lvalo

ORDERING GUIDE

INCLUDED WITH STANDARD FIXTURE: Mounting system, fixture shell, LEDs, and driver.

BASE UNIT CONFIGURATION GUIDE

Select appropriate code in each column to complete model number.

Example:

A	N	D	48	L	—	—	W	—	—	PS	—	
FAMILY	TYPE	ORIENT	LENGTH	# OF LAMPS	LAMP TYPES	VOLTAGE	SUSPEN	CONTROL OPTION	REGION	CHASSIS FINISH	SHELL FINISH	
A Aliante	N Interior	D Direct/ Indirect	48 48 in ¹	L LEDs, 95 CRI	27 44 W 920 lm 2700 K	2 120 V~	W Wall Mounting	2² 1% 2-Wire Dimming	U UL-North America	PS ● Silver	GT ● Gloss Titanium	MT ● Matte Titanium
		N Indirect			30 44 W 920 lm 3000 K	4 220/240 V~		3 1% 3-Wire Dimming	I International		GS ● Gloss Slate	MS ● Matte Slate
					35 44 W 920 lm 3500 K	7 277 V~		E 1% EcoSystem● Dimming			GG ● Gloss Graphite	MG ● Matte Graphite
								N Non-Dimming			GF Gloss Flame	MF Matte Flame
											GC Gloss Copper	MC Matte Copper
											GP Gloss Pearl White	MP Pearl White
											GL Gloss Lapis	ML Matte Lapis
											GE Gloss Ebony	ME Matte Ebony
											GA Gloss Arctic White	MA Matte Arctic White
											AN Brushed Anodized Clear	AB Brushed Anodized Black
											PS Silver	PM Metallic Silver
											PB Bronze	

¹ Refer to the "Dimensions" section for exact dimensions.
² 120 V only.

KEY:
● = Standard color options
(others are special order)

NOTES:
- Custom color, hanging, and fixture options available. Contact fixtures customer service at fixtures@lutron.com.

Not for use in Quebec.

PHOTOMETRIC DATA

4 ft Aliante LED Sconce with Acrylic Lens, 3500 K LEDs
(AND48L352W_-UPS_)

Measured in an Integrating Sphere
(Test done in accordance with IES Standards using absolute photometry)

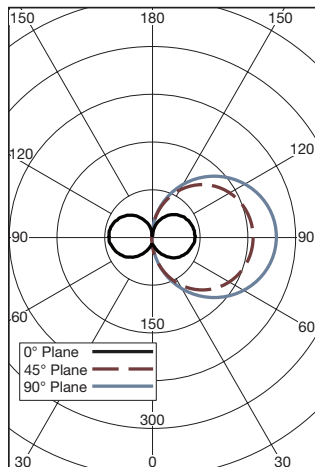
LIGHT OUTPUT (lm)	839
INPUT POWER (W)	43.8
EFFICACY (lm/W)	18.9
COLOR ACCURACY (CRI)	96.0
COLOR TEMPERATURE (K)	3413

Measured with a Goniophotometer
(Test done in accordance with IES Standards using absolute photometry)

ZONAL LUMEN SUMMARY		
ZONE	LUMEN (LM)	% LUMINAIRE
0-30	28	3.33
0-60	174	20.72
0-90	430	51.23
90-180	409	48.77
0-180	839	100.00

CANDELA TABLE			
ANGLE	0°	45°	90°
0°	12	12	12
5°	14	29	31
45°	47	122	140
90°	68	159	195
135°	47	112	128
180°	0	0	0

CANDELA PLOT



Note: IES files available at www.lutron.com/ivalo

4 ft Aliante LED Sconce with Acrylic Lens, 2700 K LEDs
(AND48L272W_-UPS_)

Measured in an Integrating Sphere
(Test done in accordance with IES Standards using absolute photometry)

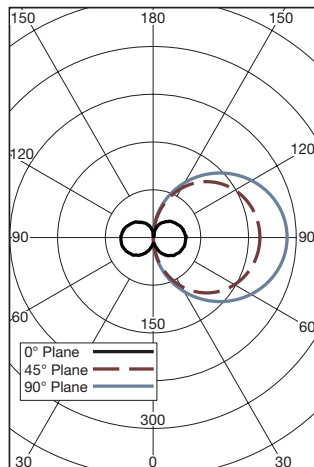
LIGHT OUTPUT (lm)	727
INPUT POWER (W)	44.03
EFFICACY (lm/W)	16.5
COLOR ACCURACY (CRI)	93.5
COLOR TEMPERATURE (K)	2665

Measured with a Goniophotometer
(Test done in accordance with IES Standards using absolute photometry)

ZONAL LUMEN SUMMARY		
ZONE	LUMEN (LM)	% LUMINAIRE
0-30	24	3.35
0-60	151	20.89
0-90	373	51.46
90-180	351	48.54
0-180	724	100.00

CANDELA TABLE			
ANGLE	0°	45°	90°
0°	9	9	9
5°	10	24	26
45°	34	107	125
90°	43	139	175
135°	27	98	114
180°	0	0	0

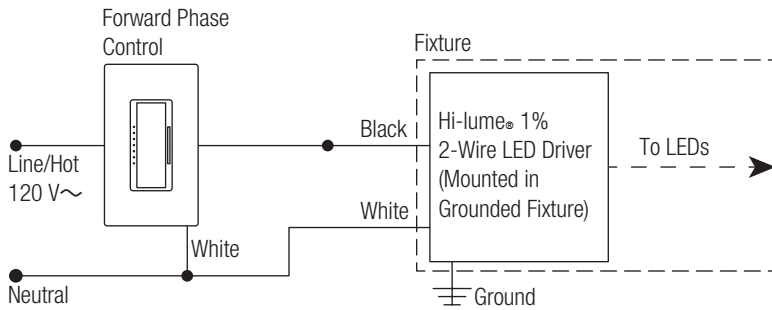
CANDELA PLOT



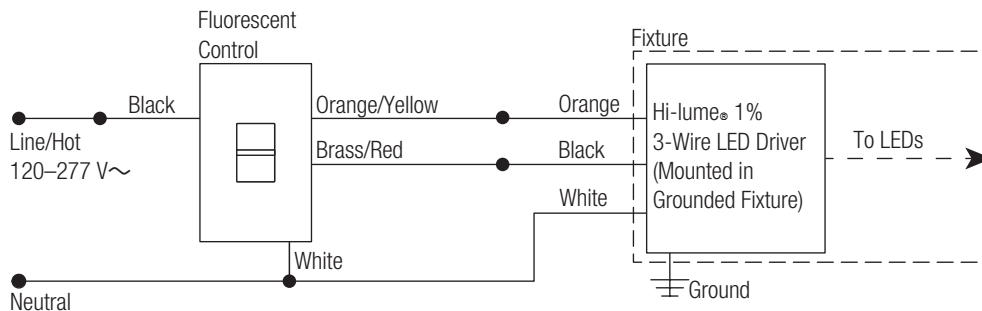
Note: IES files available at www.lutron.com/ivalo

CIRCUIT DIAGRAMS

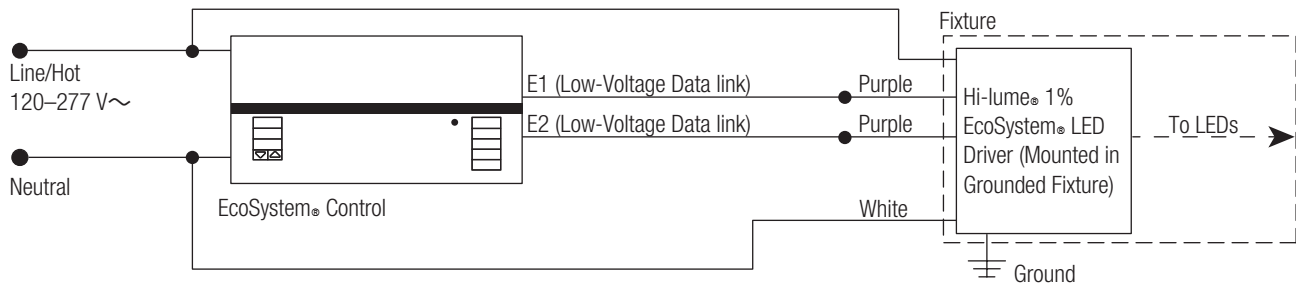
2-WIRE FORWARD PHASE CONTROL (120 V~ ONLY)



3-WIRE CONTROL (120–277 V~)



EcoSystem® DIGITAL CONTROL (120–277 V~)



- For best lighting performance, the low-end level may need to be trimmed.
- For Maestro® controls - please see Lutron® Application Note #370 (P/N 048370) at <http://www.lutron.com/TechnicalDocumentLibrary/048370A.pdf> for more details.
- For all other controls - please see the product instruction sheet or visit www.lutron.com.
- Contact Fixtures Customer Service at fixtures@lutron.com for custom mounting options.
- For a list of compatible controls and control ratings, visit www.lutron.com/ivalo or contact the LED Control Center of Excellence at 1.877.DIM.LED8



Lutron, Lutron, Maestro, EcoSystem, IVALO, IVALO Lighting (registered in the U.S. only), and Aliante are registered trademarks and Lutron Ivalo Collection is a trademark of Lutron Electronics Co., Inc.

©2014–2016 Lutron Electronics Co., Inc.

Lutron Electronics Co., Inc.
7200 Suter Road, Coopersburg, PA 18036
Telephone 610.282.7472 Fax 610.282.7600
fixtures@lutron.com

For limited 10-year warranty details, see www.lutron.com/TechnicalDocumentLibrary/3683454.pdf

Specification subject to change without notice