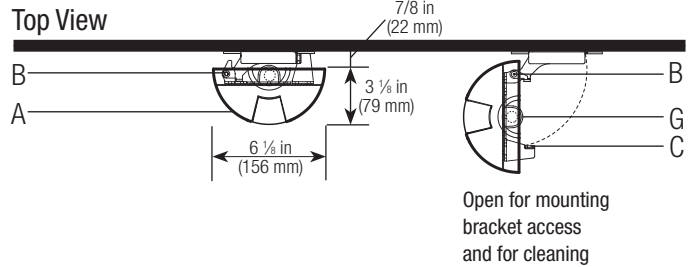
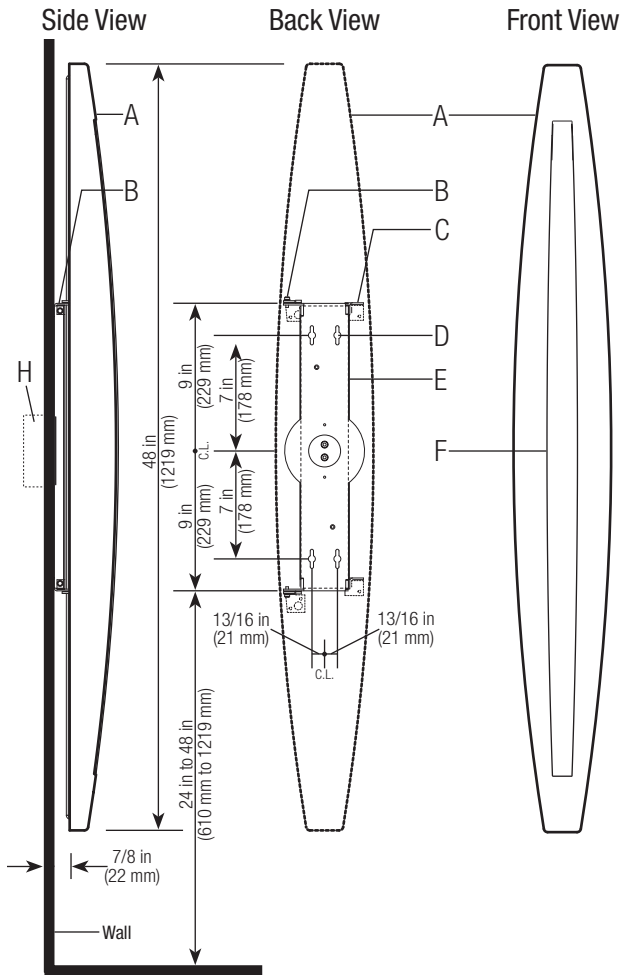


DIMENSIONS



- A - Steel Shell
- B - Hinge (2)
- C - Locking Screw (2)
- D - Mounting Hole (4)
- E - Mounting Bracket (chassis)
- F - Lens (direct/indirect)
- G - LED Diffuser
- H - Junction box (by others)

APPLICATIONS

A direct/indirect or indirect sculptural luminaire that is mounted vertically. For exterior applications that require a wall mounted decorative sconce such as:

COMMERCIAL: Flanking building entrances, elevators, and on columns.

RESIDENTIAL: Between windows and on columns.

SPECIFICATIONS

JUNCTION BOX: 4 in (102 mm) standard, octagonal or round, recessed, exterior junction box supplied by others.

WEIGHT: 15 lb (6.8 kg)

DECIBEL RATING: Quiet in a 25 dB room.

THD: <15%

POWER FACTOR: >0.95

PRINCIPAL FEATURES

FIXTURE SHELL: Constructed using stamped steel.

LENS: Translucent acrylic (direct/indirect only).

SEALED LED DIFFUSER: White acrylic. Sealed with a neoprene gasket. No maintenance required.

LIGHT SOURCE: 2700 K, 3000 K, or 3500 K, 95 CRI (typical) integrated LEDs.

CONTROL TYPE: Non-dimming (120–277 V~).

MOUNTING: Steel wall mounting system. Consists of a mounting plate and cover with neoprene gaskets between the junction box and mounting plate. Paper template provided for easy installation. For vertical wall mounting only. Mounting area must be flat and level. Mounting hardware not included.

ADA COMPLIANT: Designed to protrude 4 in (102 mm) or less from the wall.

COMPATIBLE CONTROLS

For a list of compatible controls and technical documents, visit www.lutron.com/ivalo

ORDERING GUIDE

INCLUDED WITH STANDARD FIXTURE: Mounting system, fixture shell, LEDs, and driver.

BASE UNIT CONFIGURATION GUIDE

Select appropriate code in each column to complete model number.

Example:

FAMILY	TYPE	LIGHT ORIENTATION	LENGTH	# OF LAMPS	LAMP TYPES	VOLTAGE	SUSPEN	CONTROL OPTION	REGION	CHASSIS FINISH	SHELL FINISH	
A Aliante	E Exterior	D Direct/Indirect	48 48 in ¹	L LEDs, 95 CRI	27 44 W 920 lm 2700 K	2 120 V~	W Wall Mounting	N Non-Dimming	U UL-North America	PS Silver	PS ● Silver	PM ● Metallic Silver
		N Indirect			30 44 W 920 lm 3000 K	4 220/240 V~			I International		PB Bronze	
					35 44 W 920 lm 3500 K	7 277 V~						

¹ Refer to the "Dimensions" section for exact dimensions.

KEY:

● = Standard color options
(others are special order)

NOTES:

- Custom color, hanging, and fixture options available. Contact fixtures customer service at fixtures@lutron.com
- For applications in harsh environments (e.g., near oceans or salt water) contact fixtures customer service at fixtures@lutron.com
- Not for use in Quebec.

PHOTOMETRIC DATA

4 ft Aliante LED Sconce Direct/Indirect, 3500 K LEDs
(AED48LNL2WNUPS)

Measured in an Integrating Sphere (Test done in accordance with IES Standards using absolute photometry)

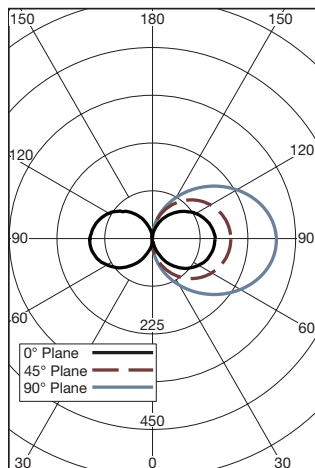
LIGHT OUTPUT (lm)	1064
INPUT POWER (W)	44.41
EFFICACY (lm/W)	37.20
COLOR ACCURACY (CRI)	96.80
COLOR TEMPERATURE (K)	3417

Measured with a Goniophotometer (Test done in accordance with IES Standards using absolute photometry)

ZONAL LUMEN SUMMARY		
ZONE	LUMEN (lm)	% LUMINAIRE
0-30	29	2.72
0-60	207	19.45
0-90	541	50.88
90-180	523	49.12
0-180	1064	100.00

CANDELA TABLE			
ANGLE	0°	45°	90°
0°	7	7	7
45°	97	133	186
90°	148	185	291
105°	139	177	272
125°	110	149	211
135°	91	128	173
155°	47	79	95
180°	0	0	0

CANDELA PLOT



Note: IES files available at www.lutron.com/ivalo

4 ft Aliante LED Sconce Direct/Indirect, 2700 K LEDs
(AED48LWL2WNUPS)

Measured in an Integrating Sphere (Test done in accordance with IES Standards using absolute photometry)

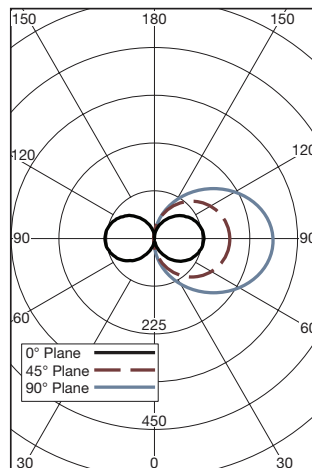
LIGHT OUTPUT (lm)	992
INPUT POWER (W)	44.46
EFFICACY (lm/W)	35.20
COLOR ACCURACY (CRI)	94.70
COLOR TEMPERATURE (K)	2706

Measured with a Goniophotometer (Test done in accordance with IES Standards using absolute photometry)

ZONAL LUMEN SUMMARY		
ZONE	LUMEN (lm)	% LUMINAIRE
0-30	27	2.72
0-60	192	19.37
0-90	503	50.69
90-180	489	49.31
0-180	992	100.00

CANDELA TABLE			
ANGLE	0°	45°	90°
0°	7	7	7
45°	74	129	179
90°	117	179	278
105°	112	171	259
125°	91	143	200
135°	77	124	164
155°	42	76	90
180°	0	0	0

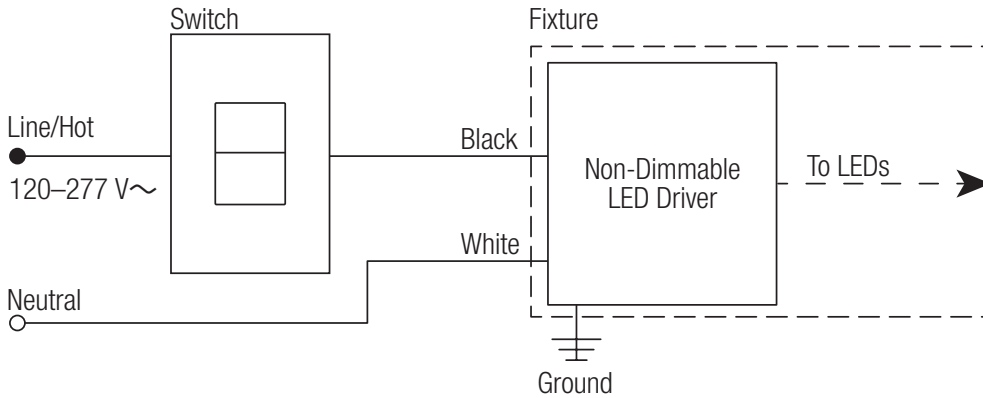
CANDELA PLOT




Note: IES files available at www.lutron.com/ivalo

CIRCUIT DIAGRAMS

NON-DIMMED (120–277 V~)



Lutron, , IVALO, IVALO Lighting, and Aliante are trademarks of Lutron Electronics Co., Inc., registered in the U.S. and other countries. Lutron Ivalo Collection is a trademark of Lutron Electronics Co., Inc.

©2014–2018 Lutron Electronics Co., Inc.



SUITABLE FOR WET LOCATIONS.

Lutron Electronics Co., Inc.
7200 Suter Road, Coopersburg, PA 18036
Telephone 610.282.7472 Fax 610.282.7600
fixtures@lutron.com

For limited 10-year LED/3-year fluorescent warranty details, see www.lutron.com/TechnicalDocumentLibrary/3683454.pdf

Specification subject to change without notice