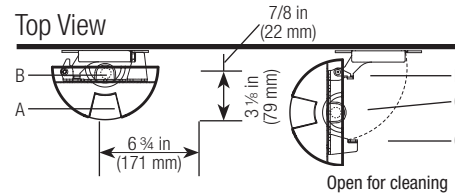
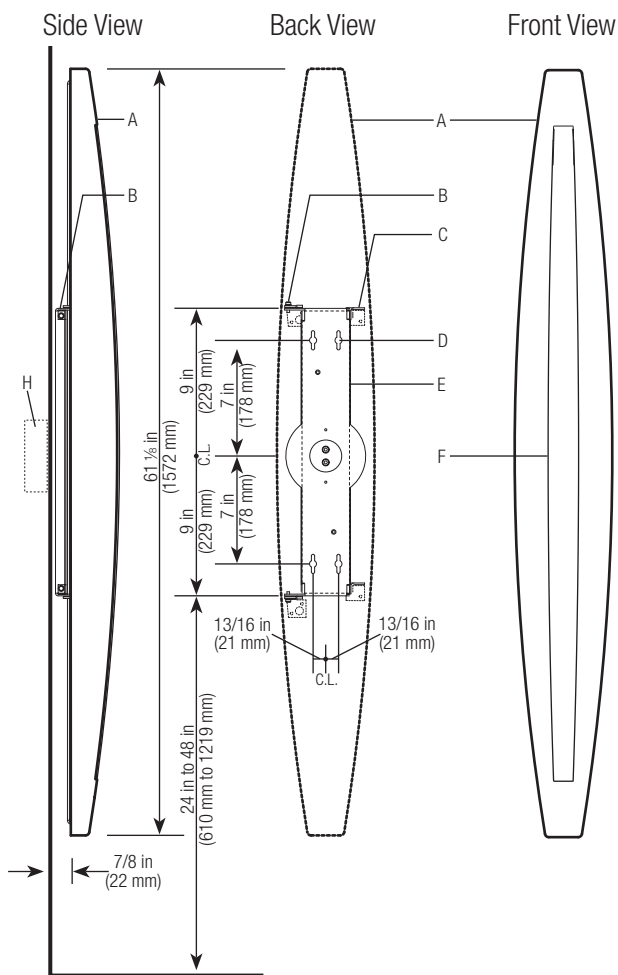


## DIMENSIONS



- |   |                            |
|---|----------------------------|
| A | Aluminum Shell             |
| B | Hinge (2)                  |
| C | Locking Screw (2)          |
| D | Mounting Holes (4)         |
| E | Mounting Bracket (chassis) |
| F | Lens (direct/indirect)     |
| G | LED Diffuser               |
| H | Junction box (by others)   |

## APPLICATIONS

A direct/indirect or indirect sculptural luminaire that can be mounted vertically, horizontally, or at an angle. For interior applications that require a wall mounted decorative sconce such as:

**COMMERCIAL:** Lobby, reception areas, atrium, art space, boardroom, conference room, and executive office.

**RESIDENTIAL:** Kitchen, dining room, and home office.

## SPECIFICATIONS

**JUNCTION BOX:** 4 in (102 mm) octagonal or round junction box supplied by others.

**WEIGHT:** 12.5 lb (5.7 kg)

**DECIBEL RATING:** Quiet in a 25 dB room.

**THD:** <15%

**POWER FACTOR:** >0.95

## PRINCIPAL FEATURES

**FIXTURE SHELL:** Constructed using stamped aluminum.

**LENS:** Translucent acrylic (direct/indirect only).

**LIGHT SOURCE:** 2700 K, 3000 K, or 3500 K, 95 CRI integrated LEDs.

**CONTROL TYPE:** Lutron® 1% 2-Wire dimming (120 V~), 1% 3-Wire dimming (120–277 V~), 1% EcoSystem® dimming (120–277 V~), or non-dimming (120–277 V~).

**MOUNTING:** Standard mounting to junction boxes. No special hardware required. Indoor use only.

**ADA COMPLIANT:** Designed to protrude less than 4 in (102 mm) from the wall.

## COMPATIBLE CONTROLS

For a list of compatible controls and technical documents, visit [www.lutron.com/lvalo](http://www.lutron.com/lvalo)

**ORDERING GUIDE**

**INCLUDED WITH STANDARD FIXTURE:** Mounting system, fixture shell, LEDs, and driver.

**BASE UNIT CONFIGURATION GUIDE**

Select appropriate code in each column to complete model number.

Example:

A		N		D		60		L		W		PS		SHELL FINISH	
FAMILY	TYPE	LIGHT ORIENT	LENGTH	# OF LAMPS	LAMP TYPES	VOLTAGE	SUSPEN	CONTROL OPTION	REGION	CHASSIS FINISH	SHELL FINISH				
A Aliante	N Interior	D Direct/ Indirect	60 60 in <sup>1</sup>	L LEDs, 95 CRI	27 57 W 1090 lm 2700 K	2 120 V~	W Wall Mounting	2 1% 2-Wire Dimming	U UL-North America	PS • Silver	GT • Gloss Titanium	MT • Matte Titanium			
		N Indirect			30 57 W 1090 lm 3000 K	4 220/240 V~		3 1% 3-Wire Dimming			I International	GS • Gloss Slate	MS • Matte Slate		
					35 57 W 1090 lm 3500 K	7 277 V~		E 1% EcoSystem® Dimming				GG • Gloss Graphite	MG • Matte Graphite		
							N Non-Dimming				GF Gloss Flame	MF Matte Flame			
											GC Gloss Copper	MC Matte Copper			
											GP Gloss Pearl White	MP Pearl White			
											GL Gloss Lapis	ML Matte Lapis			
											GE Gloss Ebony	ME Matte Ebony			
											GA Gloss Arctic White	MA Matte Arctic White			
											AN Brushed Anodized Clear	AB Brushed Anodized Black			
											PS Silver	PM Metallic Silver			
											PB Bronze				

<sup>1</sup> Refer to the "Dimensions" section for exact dimensions.

**KEY:**  
• = Standard color options  
(others are special order)

**NOTES:**  
- Custom color, hanging, and fixture options available. Please contact fixtures customer service at fixtures@lutron.com.  
  
Not for use in Quebec.

**PHOTOMETRIC DATA**

5 ft Aliante LED Sconce with Acrylic Lens  
Neutral White 3500 K LEDs (AND60L352W2UPS\_)

Measured in an Integrating Sphere  
(Test done in accordance with IES Standards using absolute photometry)

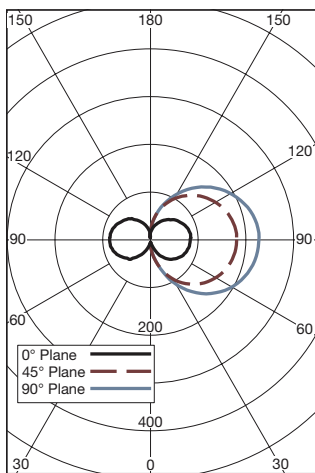
LIGHT OUTPUT (lm)	982
INPUT POWER (W)	57.1
EFFICACY (lm/W)	17.2
COLOR ACCURACY (CRI)	95.7
COLOR TEMPERATURE (K)	3423

Measured with a Goniophotometer  
(Test done in accordance with IES Standards using absolute photometry)

ZONAL LUMEN SUMMARY		
ZONE	LUMEN (lm)	% LUMINAIRE
0-30	32	3.3
0-60	205	20.9
0-90	505	51.4
90-180	477	48.6
0-180	982	100.0

CANDELA TABLE			
ANGLE	0°	45°	90°
0°	11	11	11
5°	13	29	30
45°	64	139	166
90°	85	181	228
135°	55	126	151
180°	0	0	0

**CANDELA PLOT**



Note: IES files available at [www.lutron.com/ivalo](http://www.lutron.com/ivalo)

5 ft Aliante LED Sconce with Acrylic Lens  
Warm White 2700 K LEDs (AND60L272W2UPS\_)

Measured in an Integrating Sphere  
(Test done in accordance with IES Standards using absolute photometry)

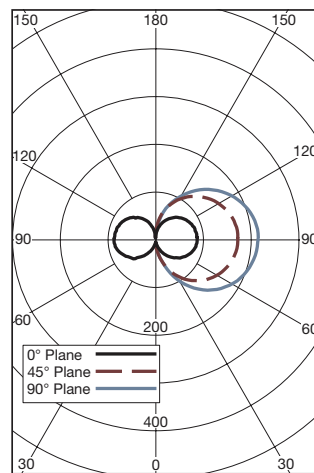
LIGHT OUTPUT (lm)	939
INPUT POWER (W)	57.5
EFFICACY (lm/W)	16.3
COLOR ACCURACY (CRI)	93.5
COLOR TEMPERATURE (K)	2677

Measured with a Goniophotometer  
(Test done in accordance with IES Standards using absolute photometry)

ZONAL LUMEN SUMMARY		
ZONE	LUMEN (lm)	% LUMINAIRE
0-30	29	3.1
0-60	190	20.2
0-90	475	50.6
90-180	464	49.4
0-180	939	100.0

CANDELA TABLE			
ANGLE	0°	45°	90°
0°	10	10	10
5°	11	24	25
45°	61	128	154
90°	87	172	215
135°	60	124	145
180°	0	0	0

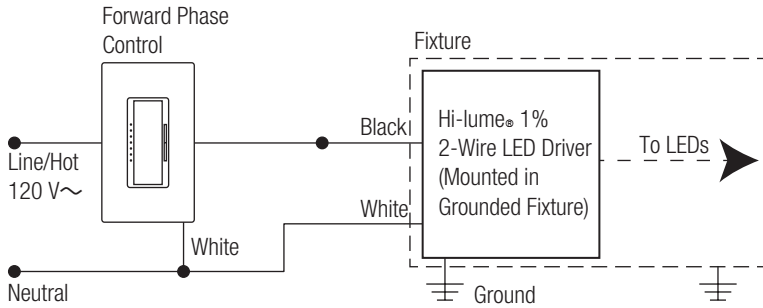
**CANDELA PLOT**



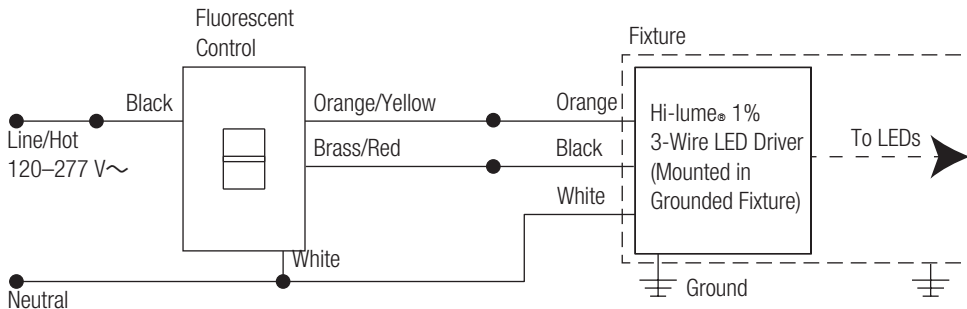
Note: IES files available at [www.lutron.com/ivalo](http://www.lutron.com/ivalo)

**CIRCUIT DIAGRAMS**

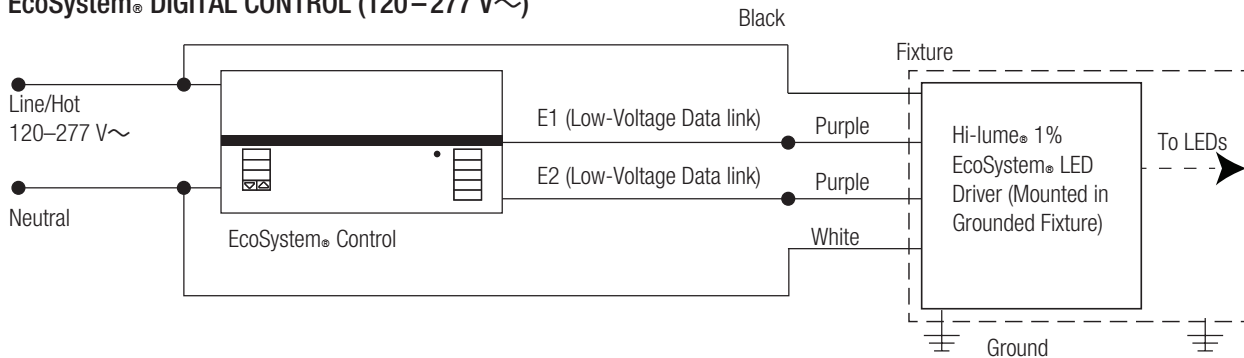
**2-WIRE FORWARD PHASE CONTROL (120 V~ ONLY)**



**3-WIRE CONTROL (120–277 V~)**



**EcoSystem® DIGITAL CONTROL (120–277 V~)**



- For best lighting performance, the low-end level may need to be trimmed.
  - For Maestro® controls - please see Lutron® Application Note #370 (P/N 048370) at <http://www.lutron.com/TechnicalDocumentLibrary/048370A.pdf> for more details.
  - For all other controls - please see the product instruction sheet or visit [www.lutron.com](http://www.lutron.com)
- Contact Fixtures Customer Service at [fixtures@lutron.com](mailto:fixtures@lutron.com) for custom mounting options.
- For a list of compatible controls and control ratings, visit [www.lutron.com/ivalo](http://www.lutron.com/ivalo) or contact the LED Control Center of Excellence at 1.877.DIM.LED8



Lutron, Lutron, Maestro, EcoSystem, IVALO, IVALO Lighting (registered in the U.S. only), and Aliante are registered trademarks and Lutron Ivalo Collection is a trademark of Lutron Electronics Co., Inc.

©2014–2016 Lutron Electronics Co., Inc.

Lutron Electronics Co., Inc.  
7200 Suter Road, Coopersburg, PA 18036  
Telephone 610.282.7472 Fax 610.282.7600  
[fixtures@lutron.com](mailto:fixtures@lutron.com)

For limited 10-year warranty details, see [www.lutron.com/TechnicalDocumentLibrary/3683454.pdf](http://www.lutron.com/TechnicalDocumentLibrary/3683454.pdf)

specification subject to change without notice