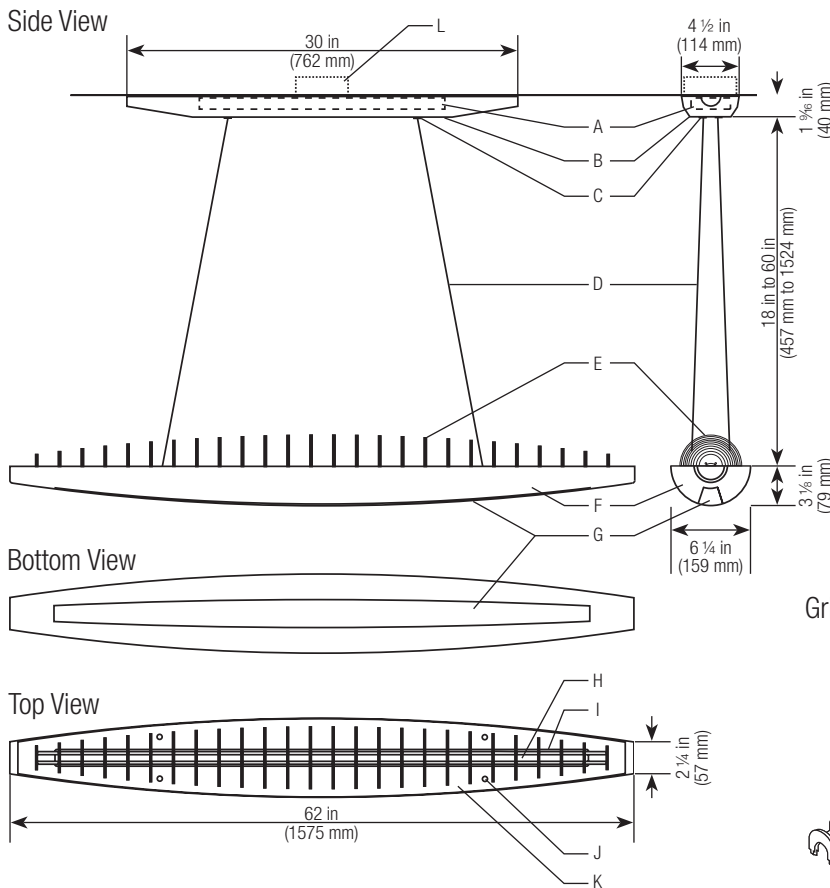
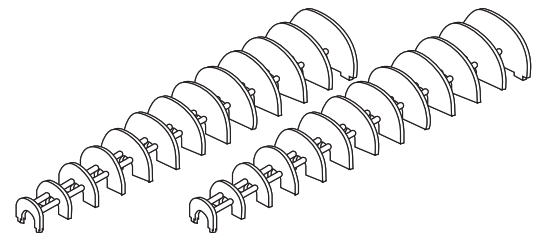


**DIMENSIONS**



- A - Mounting Chassis
- B - Aluminum Canopy
- C - Black Plastic Grommet
- D - Suspension (poles or cables)
- E - Grille (option kit)
- F - Aluminum Shell
- G - Lens (direct/indirect only)
- H - LED Diffuser
- I - Tension Rods and Spacers
- J - Pole or Cable Attachment Point
- K - Reflector
- L - Junction box (by others)

Grilles with Polycarbonate Disks (sold separately)



**APPLICATIONS**

A direct/indirect or indirect sculptural luminaire for interior applications that require an architectural element and lighting performance such as:

**COMMERCIAL:** Lobby, reception area, atrium, art space, boardroom, conference room, and executive office.

**RESIDENTIAL:** Kitchen (not for use over cook top or grill), dining room, and home office.

**SPECIFICATIONS**

**JUNCTION BOX:** 4 in (102 mm) octagonal or round junction box supplied by others.

**WEIGHT:** Cable version – 14 lb (6.4 kg)

**DECIBEL RATING:** Quiet in a 25 dB room.

**THD:** <15%

**POWER FACTOR:** >0.95

**PRINCIPAL FEATURES**

**CANOPY SHELL:** Constructed using stamped aluminum.

**FIXTURE SHELL:** Constructed using stamped aluminum.

**LENS:** Translucent acrylic (direct/indirect only).

**LIGHT SOURCE:** 2700 K, 3000 K, or 3500 K, 95 CRI (typical) integrated LEDs.

**CONTROL TYPE:** Lutron 1% 2-Wire dimming (120 V~), 1% 3-Wire dimming (120–277 V~), 1% EcoSystem dimming (120–277 V~), or non-dimming (120–277 V~).

**SUSPENSION:** Streamlined cable system that integrates an insulated current-carrying wire with exterior braided stainless steel sheath. Available for 12 ft (3658 mm) and 16 ft (4877 mm) high ceilings. Longer lengths available upon request. Pole versions also available.

**MOUNTING:** Standard mounting to junction boxes. No special hardware required. Indoor use only.

**GRILLE OPTION KIT:** Includes clear or frosted polycarbonate disks coated with a silicone hard coat and tension rods with spacers. Order this kit separately from the main unit.

**COMPATIBLE CONTROLS**

For a list of compatible controls and technical documents, visit [www.lutron.com/ivalo](http://www.lutron.com/ivalo)

### ORDERING GUIDE

**INCLUDED WITH STANDARD FIXTURE:** Canopy shell, mounting chassis, fixture shell, poles/cables, lens, dust cover, LEDs, and driver.

#### BASE UNIT CONFIGURATION GUIDE

Select appropriate code in each column to complete model number.

Example:

A	P		60	L							CANOPY FINISH		SHELL FINISH	
FAMILY	TYPE	LIGHT ORIENT	LENGTH	# OF LAMPS	LAMP TYPES	VOLTAGE	SUSPEN	CONTROL OPTION	REGION					
A Aliante	P Pendant	D Direct/ Indirect	60 60 in	L LEDs, 95 CRI	27 <sup>1</sup> 57 W 2200 lm 2700 K	2 120 V~	2 Cables up to 12 ft (3658 mm) Ceiling	2 <sup>2</sup> 1% 2-Wire/ Fwd Phase Dimming	U UL-North America	GT ● Gloss Titanium	MT ● Matte Titanium	GT ● Gloss Titanium	MT ● Matte Titanium	
		N Indirect			30 <sup>1</sup> 57 W 2200 lm 3000 K	4 220/240 V~	6 Cables up to 16 ft (4877 mm) Ceiling	3 1% 3-Wire Dimming		I International	GS ● Gloss Slate	MS ● Matte Slate	GS ● Gloss Slate	MS ● Matte Slate
					35 <sup>1</sup> 57 W 2200 lm 3500 K	7 277 V~	P Pole	E 1% EcoSystem Dimming	GG ● Gloss Graphite	MG ● Matte Graphite	GG ● Gloss Graphite	MG ● Matte Graphite		
										GF Gloss Flame	MF Matte Flame	GF Gloss Flame	MF Matte Flame	
										GC Gloss Copper	MC Matte Copper	GC Gloss Copper	MC Matte Copper	
										GP Gloss Pearl White	MP Pearl White	GP Gloss Pearl White	MP Pearl White	
										GL Gloss Lapis	ML Matte Lapis	GL Gloss Lapis	ML Matte Lapis	
										GE Gloss Ebony	ME Matte Ebony	GE Gloss Ebony	ME Matte Ebony	
										GA Gloss Arctic White	MA Matte Arctic White	GA Gloss Arctic White	MA Matte Arctic White	
										AN Brushed Anodized Clear	AB Brushed Anodized Black	AN Brushed Anodized Clear	AB Brushed Anodized Black	
										PS Silver	PM Metallic Silver	PS Silver	PM Metallic Silver	
										PB Bronze		PB Bronze		

<sup>1</sup> LED only.  
<sup>2</sup> 120 V only.

**KEY:**  
● = Standard color options  
(others are special order)

**NOTES:**  
- Custom color, hanging, and fixture options available. Please contact fixtures customer service at fixtures@lutron.com.  
  
Not for use in Quebec.

#### GRILLE OPTION KIT

Order separately from the base unit.

Example:

A	P	G	60	
FAMILY	TYPE	OPTION	LENGTH	FINISH
A Aliante	P Pendant	G Grille	60 60 in	CLR Clear
				FRO Frosted

### PHOTOMETRIC DATA

5 ft Aliante LED Pendant with Acrylic Lens, Neutral White 3500 K LEDs  
(APD60L35222U\_ - )

Measured in an Integrating Sphere

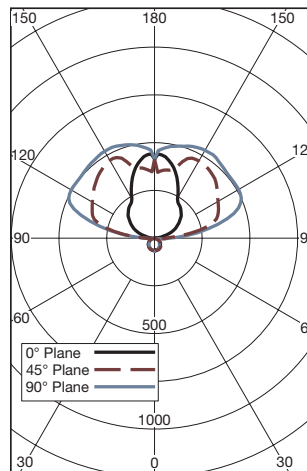
LIGHT OUTPUT (lm)	2220
INPUT POWER (W)	56.7
EFFICACY (lm/W)	39.2
COLOR ACCURACY (CRI)	95.2
COLOR TEMPERATURE (K)	3425

Measured with a Goniophotometer

ZONAL LUMEN SUMMARY		
ZONE	LUMEN (lm)	% LUMINAIRE
0-30	51	2.3
0-60	144	6.5
0-90	198	8.9
90-180	2022	91.1
0-180	2220	100.0

CANDELA TABLE			
ANGLE	0°	45°	90°
0°	65	65	65
5°	65	66	65
45°	42	41	41
90°	1	38	60
135°	196	444	516
180°	417	417	417

### CANDELA PLOT

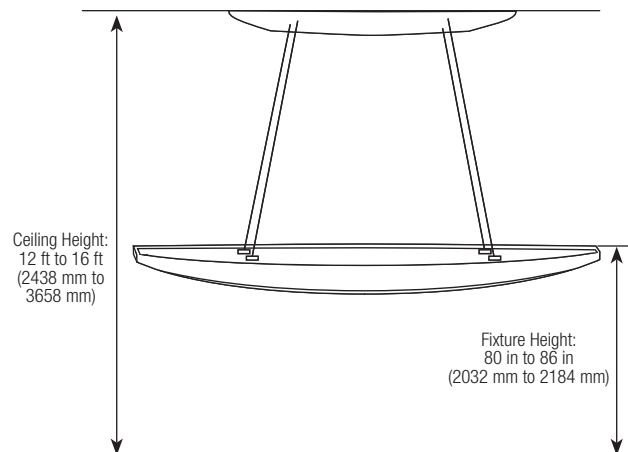


Note: IES files available at [www.lutron.com/lvalo](http://www.lutron.com/lvalo)

### MOUNTING

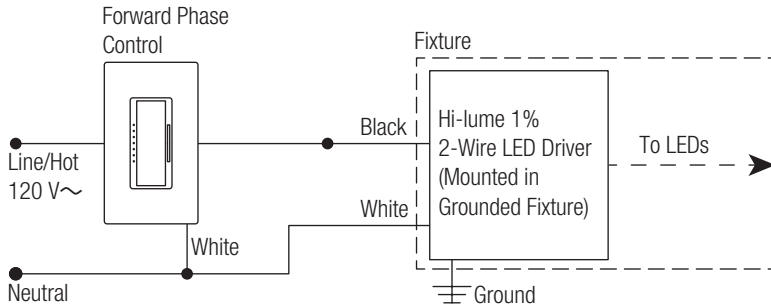
Top edge of fixture should be 80 in (2032 mm) or higher to avoid seeing the lamp from a standing position. This is a suggested height and for aesthetic appearances the lamp can be hung higher or lower.

CEILING HEIGHT	SUSPENSION CODE	ADJUSTABLE CABLE LENGTH
Up to 144 in (3658 mm)	2	16 in to 60 in (406 mm to 1524 mm)
144 in to 192 in (3658 mm to 4877 mm)	6	16 in to 108 in (406 mm to 2743 mm)
Above 192 in (4877 mm)	Contact Lutron	Contact Lutron

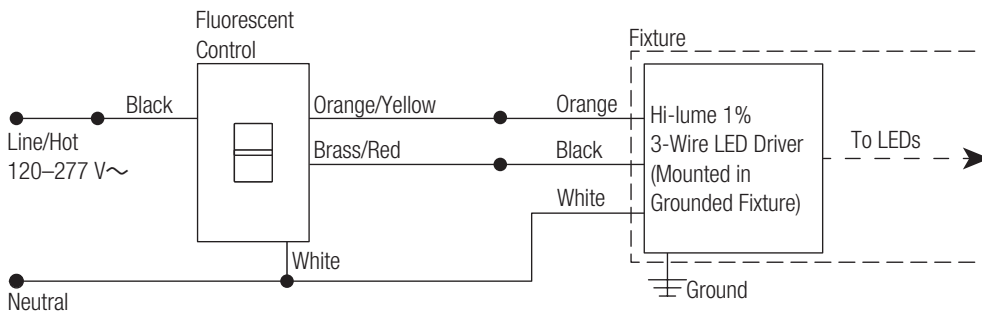


### CIRCUIT DIAGRAMS

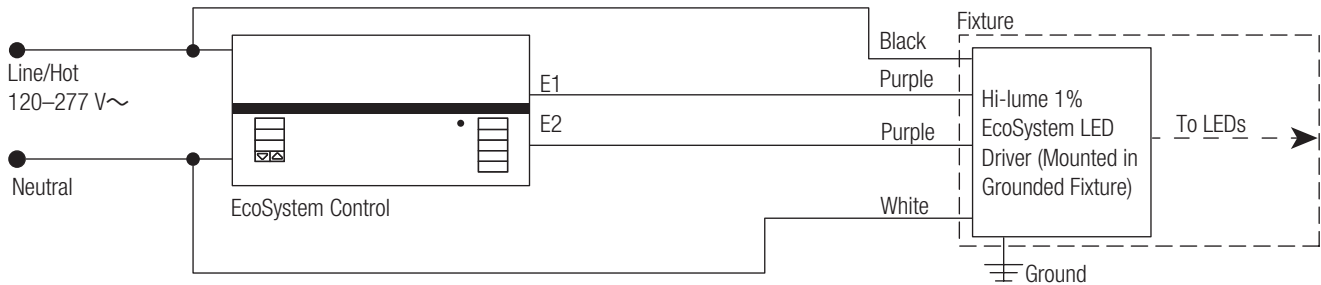
#### 2-WIRE FORWARD PHASE CONTROL (120 V~ ONLY)



#### 3-WIRE CONTROL (120–277 V~)



#### EcoSystem DIGITAL CONTROL (120–277 V~)



- For best lighting performance, the low-end level may need to be trimmed.
  - For Maestro controls - please see Lutron Application Note #370 (P/N 048370) at [www.lutron.com/TechnicalDocumentLibrary/048370A.pdf](http://www.lutron.com/TechnicalDocumentLibrary/048370A.pdf) for more details.
  - For all other controls - please see the product instruction sheet or visit [www.lutron.com](http://www.lutron.com)
- Contact Fixtures Customer Service at [fixtures@lutron.com](mailto:fixtures@lutron.com) for custom mounting options.
- For a list of compatible controls and control ratings, visit [www.lutron.com/ivalo](http://www.lutron.com/ivalo) or contact the LED Control Center of Excellence at 1.877.DIM.LED8



Lutron, Lutron, Maestro, EcoSystem, IVALO, IVALO Lighting, and Aliante are trademarks of Lutron Electronics Co., Inc., registered in the U.S. and other countries. Ivalo Collection is a trademark of Lutron Electronics Co., Inc.

©2015–2018 Lutron Electronics Co., Inc.

Lutron Electronics Co., Inc.  
 7200 Suter Road, Coopersburg, PA 18036  
 Telephone 610.282.7472 Fax 610.282.7600  
[fixtures@lutron.com](mailto:fixtures@lutron.com)

For limited 10-year warranty details, see [www.lutron.com/TechnicalDocumentLibrary/3673454.pdf](http://www.lutron.com/TechnicalDocumentLibrary/3673454.pdf)

Specification subject to change without notice