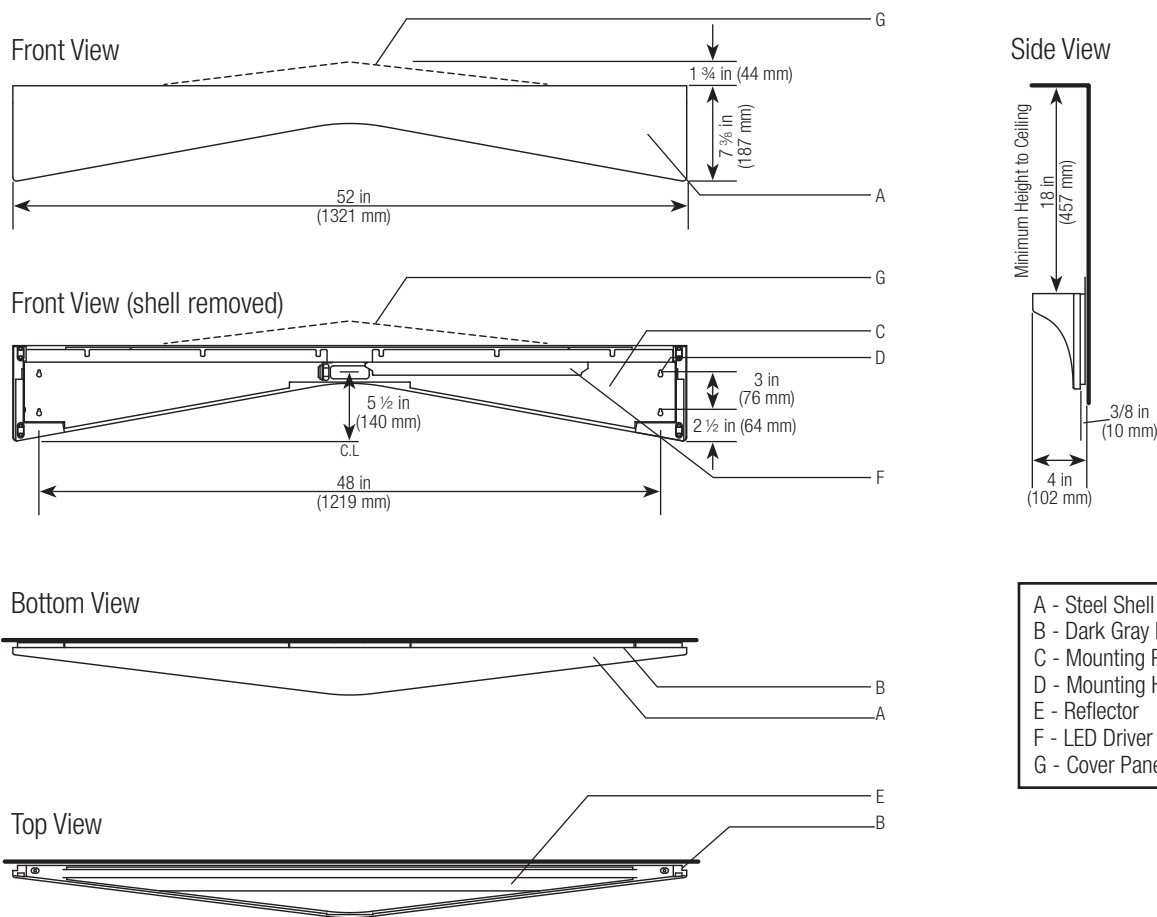


DIMENSIONS



- A - Steel Shell
- B - Dark Gray Reveal
- C - Mounting Panel (chassis)
- D - Mounting Holes (4)
- E - Reflector
- F - LED Driver
- G - Cover Panel (for junction box)

APPLICATIONS

An indirect sculptural luminaire that can be mounted horizontally. For interior applications that require a wall mounted decorative sconce such as:

COMMERCIAL: Lobby, reception areas, atrium, art space, boardroom, conference room, and executive office.

RESIDENTIAL: Kitchen, dining room, and home office.

SPECIFICATIONS

JUNCTION BOX: 4 in (102 mm) octagonal or round junction box supplied by others.

WEIGHT: 8.5 lb (3.9 kg)

DECIBEL RATING: Quiet in a 25 dB room.

THD: <15%

POWER FACTOR: >0.95

PRINCIPAL FEATURES

FIXTURE SHELL: Constructed using stamped steel.

LIGHT SOURCE: 2700 K, 3000 K, or 3500 K, 95 CRI integrated LEDs.

CONTROL TYPE: Lutron® 1% 2-Wire dimming (120 V~), 1% 3-Wire dimming (120–277 V~), 1% EcoSystem® dimming (120–277 V~), or non-dimming (120–277 V~). EcoSystem® dimming requires two additional in-wall wires for digital control.

MOUNTING: Wall mounting. No special hardware required for mounting on drywall. Horizontal wall mount only.

ADA COMPLIANT: Designed to protrude less than 4 in (102 mm) from the wall.

COMPATIBLE CONTROLS

For a list of compatible controls and technical documents, visit www.lutron.com/lvalo

ORDERING GUIDE

INCLUDED WITH STANDARD FIXTURE: Mounting system, fixture shell, LEDs, and driver.

BASE UNIT CONFIGURATION GUIDE

Select appropriate code in each column to complete model number.

Example:

R	N	N	48	L	—	—	W	—	—	BL	—
FAMILY	TYPE	LIGHT ORIENTATION	LENGTH	# OF LAMPS	LAMP TYPES	VOLTAGE	SUSPEN	CONTROL OPTION	REGION	CHASSIS FINISH	SHELL FINISH
R Rotare	N Interior	N Indirect	48 48 in"	L LEDs, 95 CRI	27 40 W 2040 lm 2700 K	2 120 V~	W Wall Mount	2 1% 2-Wire Dimming 120 V~ only	U UL-North America	BL Black	GT ● Gloss Titanium MT ● Matte Titanium
					30 40 W 2040 lm 3000 K	4 220/240 V~		3 1% 3-Wire Dimming 120–277 V~	I International		GS ● Gloss Slate MS ● Matte Slate
					35 40 W 2040 lm 3500 K	7 277 V~		E 1% EcoSystem® Dimming 120–277 V~			GG ● Gloss Graphite MG ● Matte Graphite
								N Non-Dimming 120–277 V~			GF Gloss Flame MF Matte Flame
											GC Gloss Copper MC Matte Copper
											GP Gloss Pearl White MP Matte Pearl White
											GL Gloss Lapis ML Matte Lapis
											GE Gloss Ebony ME Matte Ebony
											GA Gloss Arctic White MA Matte Arctic White
											PS Silver PM Metallic Silver
											PB Bronze

* Refer to the "Dimensions" section for exact dimensions.

KEY:
● = Standard color options
(others are special order)

NOTES:
- Custom color, hanging, and fixture options available. Contact fixtures customer service at fixtures@lutron.com.

Not for use in Quebec.

PHOTOMETRIC DATA

4 ft Rotare LED Sconce with Acrylic Lens
Neutral White 3500 K LEDs (RNN48L352W_-_BL_)

Measured in an Integrating Sphere
(Test done in accordance with IES Standards using absolute photometry)

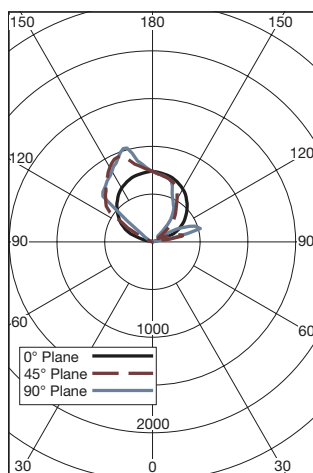
LIGHT OUTPUT (lm)	2058
INPUT POWER (W)	28.2
EFFICACY (lm/W)	73.0
COLOR ACCURACY (CRI)	96.7
COLOR TEMPERATURE (K)	3476

Measured with a Goniophotometer
(Test done in accordance with IES Standards using absolute photometry)

ZONAL LUMEN SUMMARY		
ZONE	LUMEN (lm)	% LUMINAIRE
0-30	0	0.0
0-60	0	0.0
0-90	1	0.0
90-180	2057	99.9
0-180	2058	100.0

CANDELA TABLE			
ANGLE	0°	45°	90°
0°	0	0	0
5°	0	0	0
45°	0	0	0
90°	0	5	10
135°	520	317	154
180°	741	741	741

CANDELA PLOT



Note: IES files available at www.lutron.com/ivalo

4 ft Rotare LED Sconce with Acrylic Lens
Warm White 2700 K LEDs (RNN48L272W_-_BL_)

Measured in an Integrating Sphere
(Test done in accordance with IES Standards using absolute photometry)

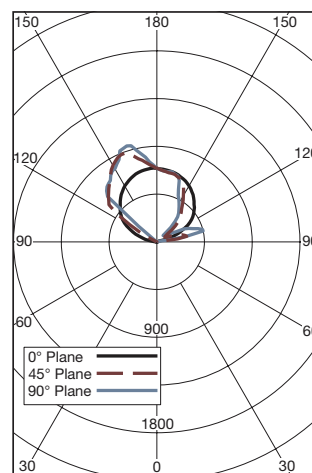
LIGHT OUTPUT (lm)	1913
INPUT POWER (W)	28.5
EFFICACY (lm/W)	67.4
COLOR ACCURACY (CRI)	94.6
COLOR TEMPERATURE (K)	2715

Measured with a Goniophotometer
(Test done in accordance with IES Standards using absolute photometry)

ZONAL LUMEN SUMMARY		
ZONE	LUMEN (lm)	% LUMINAIRE
0-30	0	0.0
0-60	0	0.0
0-90	1	0.1
90-180	1912	99.9
0-180	1913	100.0

CANDELA TABLE			
ANGLE	0°	45°	90°
0°	0	0	0
5°	0	0	0
45°	0	0	0
90°	0	6	11
135°	494	302	187
180°	694	694	694

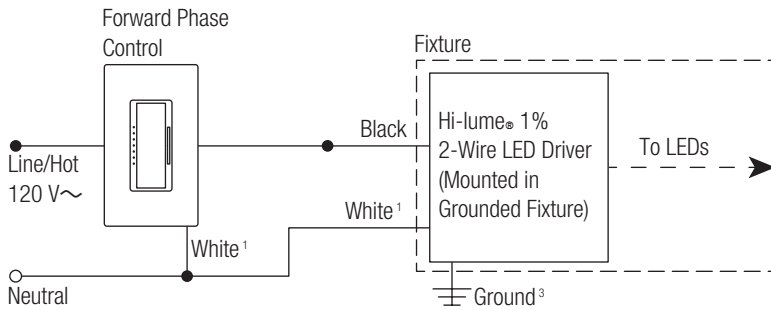
CANDELA PLOT



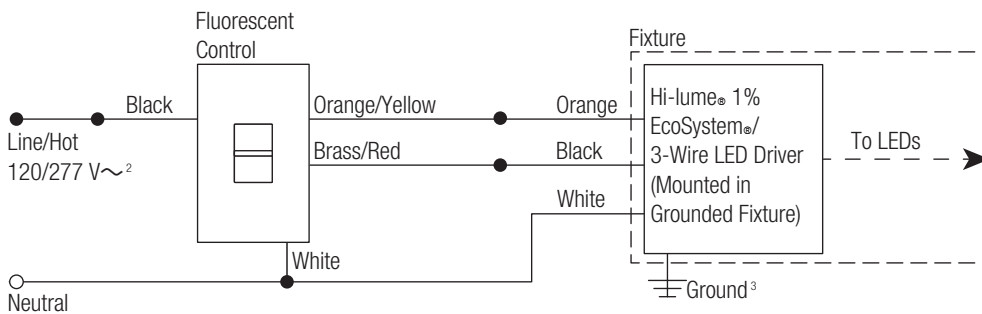
Note: IES files available at www.lutron.com/ivalo

CIRCUIT DIAGRAMS

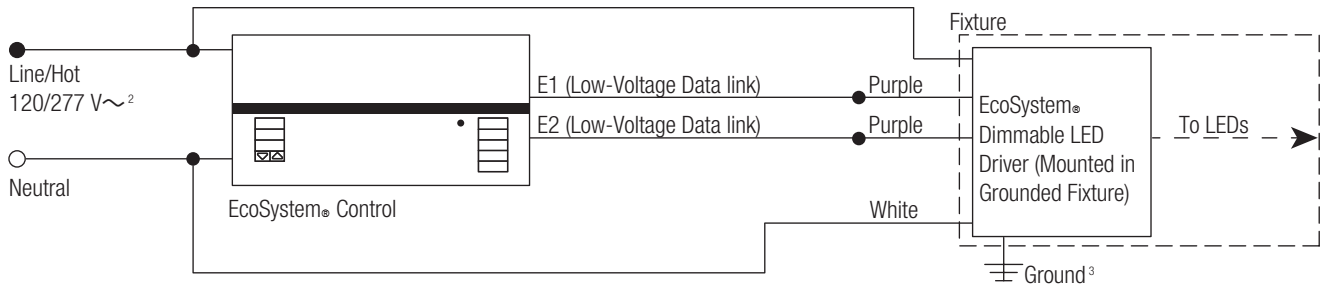
2-WIRE FORWARD PHASE CONTROL (120 V~ ONLY)



3-WIRE CONTROL (120–277 V~)



EcoSystem® DIGITAL CONTROL (120–277 V~)



¹ Neutral may be optional for certain control types. See product specification submittal for specific wiring diagrams.

² Refer to the specific Lutron® control specifications for exact input voltage rating of the product.

³ Ensure that both ground wires are connected in the junction box.

- For best lighting performance, the low-end level may need to be trimmed.
 - For Maestro® controls - please see Lutron® Application Note #370 (P/N 048370) for more details
 - For all other controls - please see the product instruction sheet or visit www.lutron.com
- Contact Fixtures Customer Service at fixtures@lutron.com for custom mounting options.
- For a list of compatible controls and control ratings, visit www.lutron.com/ivalo or contact the LED Control Center of Excellence at 1.877.DIM.LED8



IVALO, IVALO Lighting (registered in the U.S. only), Lutron, Lutron, Maestro, EcoSystem, Hi-lume, and Rotare are registered trademarks and Lutron Ivalo Collection is a trademark of Lutron Electronics Co., Inc.

©2014–2016 Lutron Electronics Co., Inc.

Lutron Electronics Co., Inc
7200 Suter Road, Coopersburg, PA 18036
Telephone 610.282.7472 Fax 610.282.7600
fixtures@lutron.com

For limited 10-year warranty details, see
www.lutron.com/TechnicalDocumentLibrary/3683454.pdf

Specification subject to change without notice