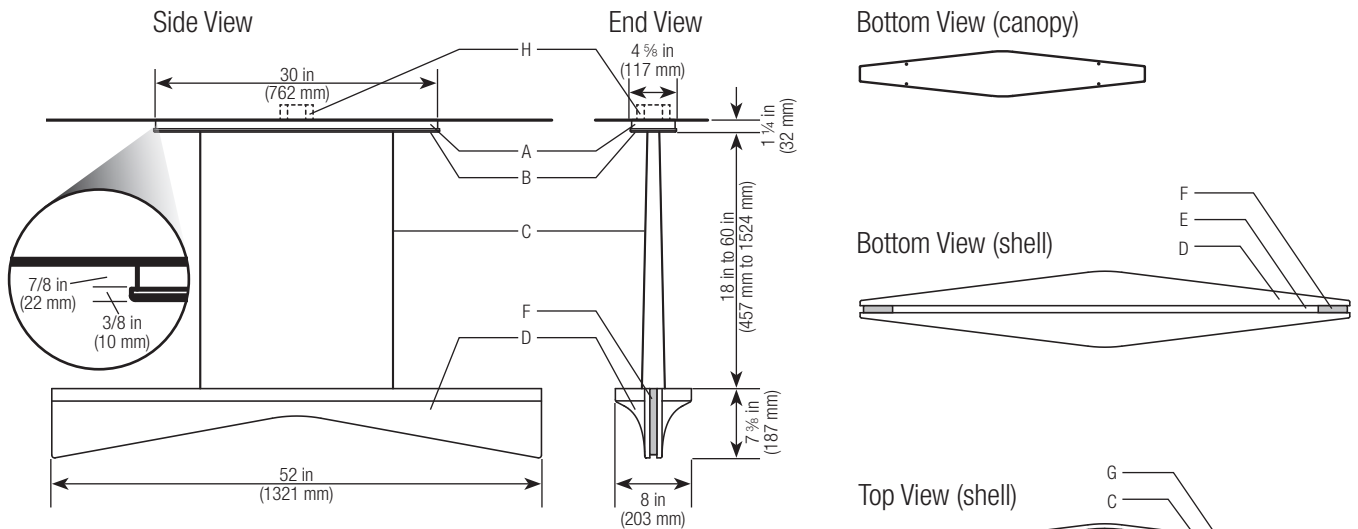


DIMENSIONS



- A - Mounting Chassis
- B - Canopy Cover
- C - I-wire, power, and support wires
- D - Fixture Shell
- E - Lower Lens
- F - Dark Gray Reveal
- G - LED Diffuser
- H - Junction Box (by others)

APPLICATIONS

A direct/indirect sculptural luminaire for interior applications that require an architectural element and lighting performance such as:

COMMERCIAL: Lobby, reception area, atrium, art space, boardroom, conference room, and executive office.

RESIDENTIAL: Kitchen (not for use over cook top or grill), dining room, and home office.

SPECIFICATIONS

JUNCTION BOX: 4 in (102 mm) octagonal or round junction box supplied by others.

WEIGHT: 21 lb (8.2 kg)

DECIBEL RATING: Quiet in a 25 dB room.

THD: <15%

POWER FACTOR: >0.95

PRINCIPAL FEATURES

CANOPY SHELL: Chassis in dark gray. Cover in matte or gloss automotive paint.

FIXTURE SHELL: Constructed using stamped steel.

LENS: White translucent acrylic film.

LIGHT SOURCE: 2700 K, 3000 K, or 3500 K, 95 CRI (typical) integrated LEDs.

CONTROL TYPE: Lutron® 1% 2-Wire dimming (120 V~), 1% 3-Wire dimming (120–277 V~), 1% EcoSystem® dimming (120–277 V~), or non-dimming (120–277 V~).

SUSPENSION: Streamlined cable system that integrates an insulated current-carrying wire with exterior braided stainless steel sheath. Available for 12 ft (3658 mm) and 16 ft (4877 mm) high ceilings. Longer lengths available upon request. Pole versions also available.

MOUNTING: Standard mounting to junction boxes. No special hardware required.

COMPATIBLE CONTROLS

For a list of compatible controls and technical documents, visit www.lutron.com/lvalo

ORDERING GUIDE

INCLUDED WITH STANDARD FIXTURE: Canopy shell, mounting chassis, fixture shell, cables, lens, LEDs, and driver.

BASE UNIT CONFIGURATION GUIDE

Select appropriate code in each column to complete model number.

Example:

R P D 48 L

FAMILY	TYPE	LIGHT ORIENT	LENGTH	# OF LAMPS	LAMP TYPES	VOLTAGE	SUSPEN	CONTROL OPTION	REGION	CANOPY FINISH		SHELL FINISH	
										GT ●	MT ●	GT ●	MT ●
R Rotare	P Pendant	D Direct/ Indirect	48 48 in*	L LEDs, 95 CRI	27 85 W 3400 lm 2700 K	2 120 V~	2 Cables up to 12 ft (3658 mm) Ceiling	2 1% 2-Wire Dimming 120 V~ only	U UL-North America	GT ● Gloss Titanium	MT ● Matte Titanium	GT ● Gloss Titanium	MT ● Matte Titanium
					30 85 W 3400 lm 3000 K	4 220/240 V~	6 Cables up to 16 ft (4877 mm) Ceiling	3 1% 3-Wire Dimming 120-277 V~	I International	GS ● Gloss Slate	MS ● Matte Slate	GS ● Gloss Slate	MS ● Matte Slate
					35 85 W 3400 lm 3500 K	7 277 V~		E 1% EcoSystem® Dimming 120-277 V~		GG ● Gloss Graphite	MG ● Matte Graphite	GG ● Gloss Graphite	MG ● Matte Graphite
								N Non-Dimming 120-277 V~	GF Gloss Flame	MF Matte Flame	GF Gloss Flame	MF Matte Flame	
									GC Gloss Copper	MC Matte Copper	GC Gloss Copper	MC Matte Copper	
									GP Gloss Pearl White	MP Matte Pearl White	GP Gloss Pearl White	MP Matte Pearl White	
									GL Gloss Lapis	ML Matte Lapis	GL Gloss Lapis	ML Matte Lapis	
									GE Gloss Ebony	ME Matte Ebony	GE Gloss Ebony	ME Matte Ebony	
									GA Gloss Arctic White	MA Matte Arctic White	GA Gloss Arctic White	MA Matte Arctic White	
									PS Silver	PM Metallic Silver	PS Silver	PM Metallic Silver	
									PB Bronze		PB Bronze		

KEY:
● = Standard color options
(others are special order)

NOTES:
- Custom color, hanging, and fixture options available. Contact fixtures customer service at fixtures@lutron.com.

Not for use in Quebec.

* Refer to the "Dimensions" section for exact dimensions.

PHOTOMETRIC DATA

4 ft Rotare LED Pendant, Neutral White 3500 K LEDs (RPD48L3522U_-_)

Measured in an Integrating Sphere

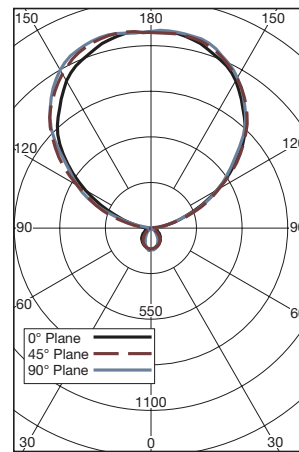
LIGHT OUTPUT (lm)	3591
INPUT POWER (W)	85.3
EFFICACY (lm/W)	42.1
COLOR ACCURACY (CRI)	96.7
COLOR TEMPERATURE (K)	3500

Measured with a Goniophotometer

ZONAL LUMEN SUMMARY		
ZONE	LUMEN (lm)	% LUMINAIRE
0-30	94	2.6
0-60	230	6.4
0-90	271	7.5
90-180	3320	92.5
0-180	3591	100.0

CANDELA TABLE			
ANGLE	0°	45°	90°
0°	128	128	128
5°	127	126	129
45°	81	64	45
90°	2	2	1
135°	799	804	788
180°	1183	1183	1183

CANDELA PLOT

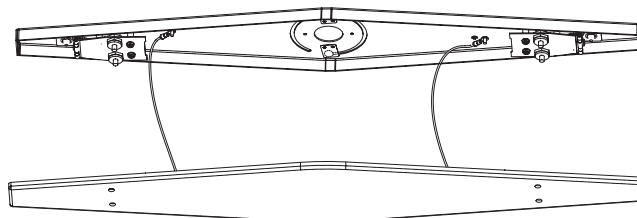
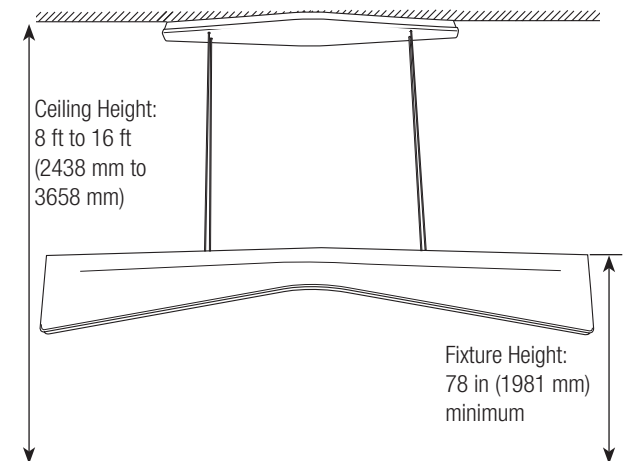


Note: IES files available at www.lutron.com/lvalo

MOUNTING

Top edge of fixture should be 78 in (1981 mm) or higher to avoid seeing the lamp from a standing position. This is a suggested height and for aesthetic appearances the lamp can be hung higher or lower.

CEILING HEIGHT	SUSPENSION CODE	ADJUSTABLE CABLE LENGTH
Up to 144 in (3658 mm)	2	16 in to 60 in (406 mm to 1524 mm)
144 in to 192 in (3658 mm to 4877 mm)	6	16 in to 108 in (406 mm to 2743 mm)
Above 192 in (4877 mm)	Contact Lutron	Contact Lutron

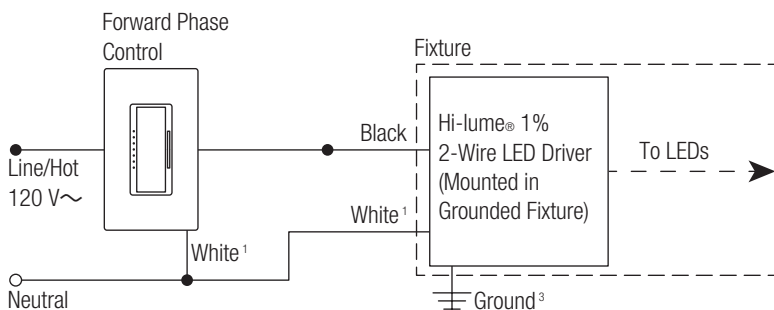


PROPRIETARY MOUNTING SYSTEM

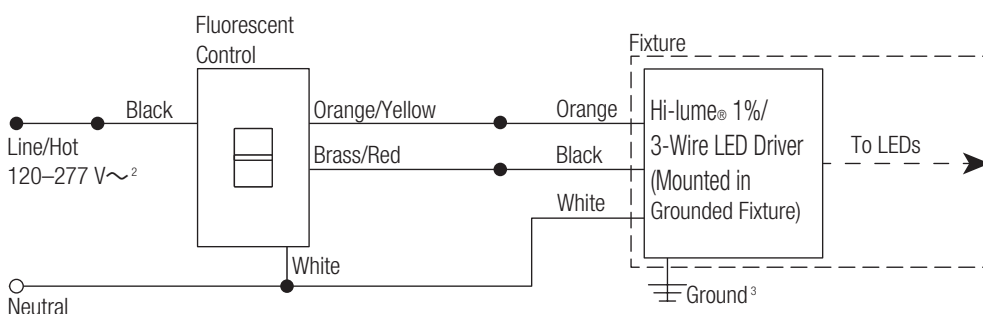
- Easy mounting to the junction box; be sure to cut the hole in the suspended ceiling tile or drywall tightly around the junction box.
- Wiring is performed after canopy mounting bracket is secured to the ceiling.
- Allows a large canopy structure to meet wiring and UL codes.

CIRCUIT DIAGRAMS

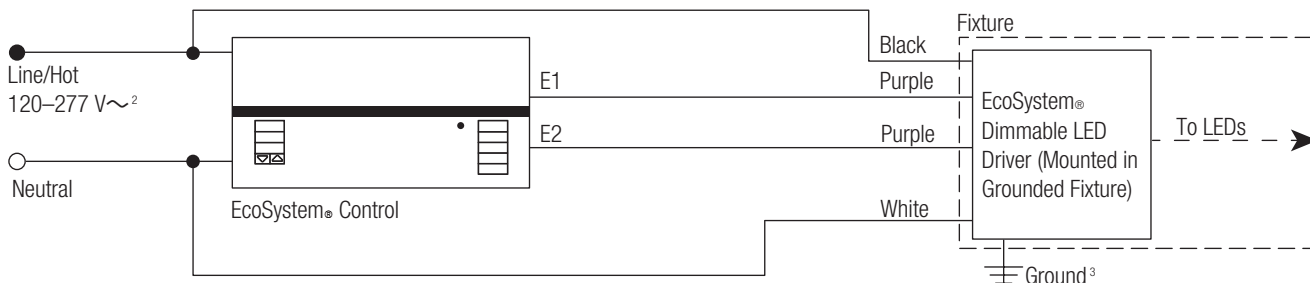
2-WIRE FORWARD PHASE CONTROL (120 V~ ONLY)



3-WIRE CONTROL (120–277 V~)



EcoSystem® DIGITAL CONTROL (120–277 V~)



¹ Neutral may be optional for certain control types. See product specification submittal for specific wiring diagrams.

² Refer to the specific Lutron® control specifications for exact input voltage rating of the product.

³ Ensure that both ground wires are connected in the junction box.

- For best lighting performance, the low-end level may need to be trimmed.
 - For Maestro® controls - please see Lutron® Application Note #370 (P/N 048370) for more details
 - For all other controls - please see the product instruction sheet or visit www.lutron.com
- Contact Fixtures Customer Service at fixtures@lutron.com for custom mounting options.
- For a list of compatible controls and control ratings, visit www.lutron.com/lvalo or contact the LED Control Center of Excellence at 1.877.DIM.LED8



IVALO, IVALO Lighting (registered in the U.S. only), Rotare, Lutron Ivalo Collection, Lutron, Lutron, Maestro, Hi-lume, and EcoSystem are registered trademarks of Lutron Electronics Co., Inc.

©2015–2016 Lutron Electronics Co., Inc.

Lutron Electronics Co., Inc.
7200 Suter Road, Coopersburg, PA 18036
Telephone 610.282.7472 Fax 610.282.7600
fixtures@lutron.com

For a limited 10-year warranty details, see www.lutron.com/TechnicalDocumentLibrary/3683454.pdf

Specification subject to change without notice