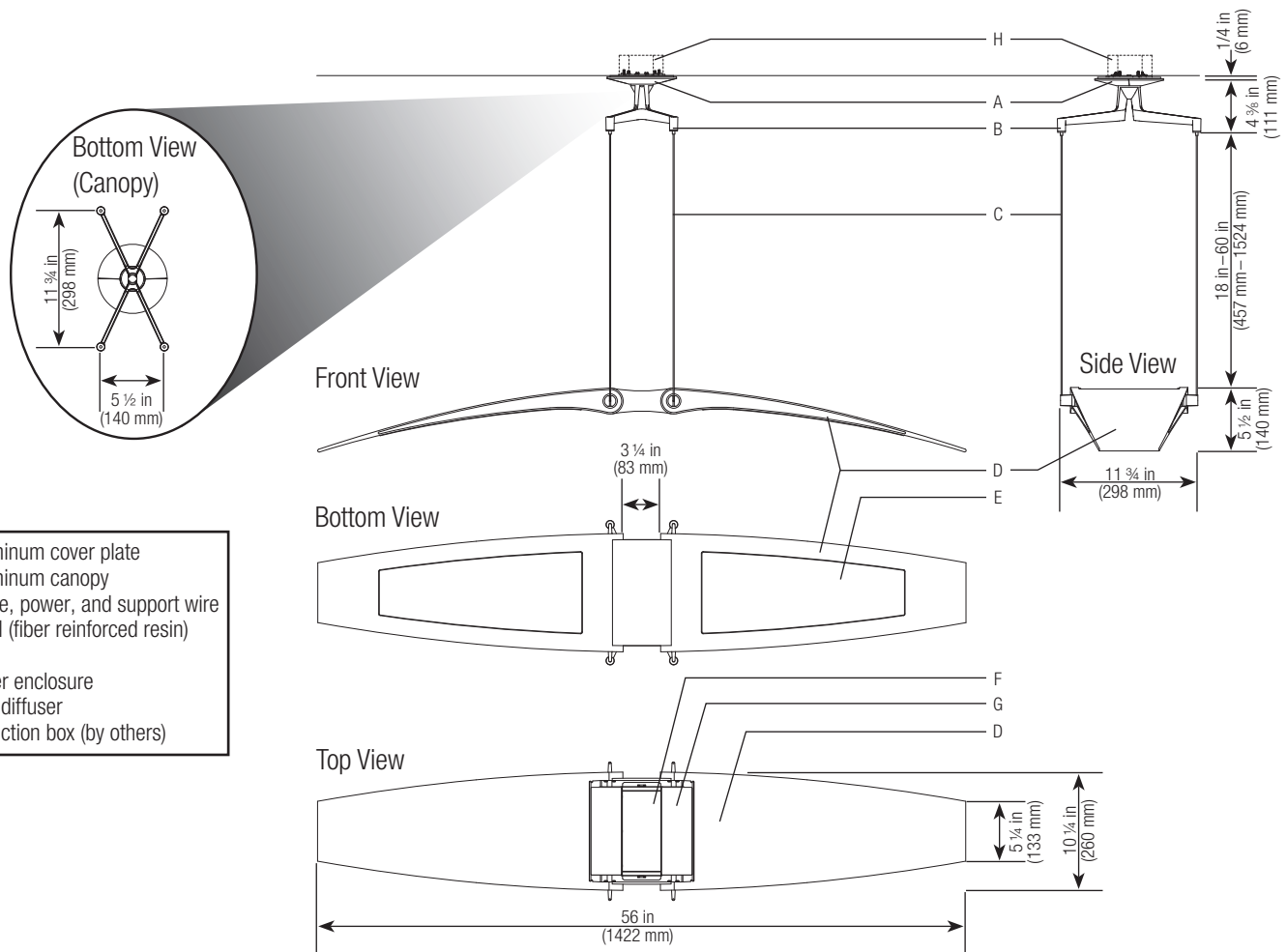


DIMENSIONS



- A - Aluminum cover plate
- B - Aluminum canopy
- C - I-wire, power, and support wire
- D - Shell (fiber reinforced resin)
- E - Lens
- F - Driver enclosure
- G - LED diffuser
- H - Junction box (by others)

APPLICATIONS

A direct/indirect sculptural luminaire for interior applications that require an architectural element and lighting performance such as:

COMMERCIAL: Lobby, reception area, atrium, art space, boardroom, conference room, and executive office.

RESIDENTIAL: Kitchen (not for use over cook top or grill), dining room, and home office.

SPECIFICATIONS

JUNCTION BOX: 4 in (102 mm) octagonal or round junction box supplied by others.

WEIGHT: 12 lb (5.5 kg)

DECIBEL RATING: Quiet in a 25 dB room.

THD: <15%

POWER FACTOR: >0.95

PRINCIPAL FEATURES

CANOPY SHELL: Constructed using machined and cast aluminum.

FIXTURE SHELL: Constructed using fiber reinforced resin with an interior driver housing chamber.

LENS: Translucent Acrylic.

LIGHT SOURCE: 2700 K, 3000 K, or 3500 K, 95 CRI (typical) integrated LEDs.

CONTROL TYPE: Lutron® 1% 2-Wire dimming (120 V~), 1% 3-Wire dimming (120–277 V~), 1% EcoSystem® dimming (120–277 V~), or non-dimming (120–277 V~).

SUSPENSION: Streamlined cable system that integrates an insulated current-carrying wire with exterior braided stainless steel sheath. Available for 12 ft (3658 mm) and 16 ft (4877 mm) high ceilings. Longer lengths available upon request.

MOUNTING: Standard mounting to junction boxes. No special hardware required.

COMPATIBLE CONTROLS

For a list of compatible controls and technical documents, visit www.lutron.com/lvalo

ORDERING GUIDE

INCLUDED WITH STANDARD FIXTURE: Canopy shell, fixture shell, cables, lens, LEDs, and driver.

BASE UNIT CONFIGURATION GUIDE

Select appropriate code in each column to complete model number.

Example:

L	P	D	56	L									
FAMILY	TYPE	LIGHT ORIENT	LENGTH	# OF LAMPS	LAMP TYPES	VOLTAGE	SUSPEN	CONTROL OPTION	REGION	CANOPY FINISH		SHELL FINISH	
L L'ale	P Pendant	D Direct/Indirect	56 56 in'	L LEDs, 95 CRI	27 35 W 2700 K 1640 lm	2 120 V~	2 Up to 12 ft (3658 mm) Ceiling	2 1% 2-Wire (120 V only)	U UL-North America	GT ● Gloss Titanium	MT ● Matte Titanium	GT ● Gloss Titanium	MT ● Matte Titanium
					30 35 W 3000 K 1640 lm	4 220/240 V~	6 Up to 16 ft (4877 mm) Ceiling	3 1% 3-Wire		I International	GS ● Gloss Slate	MS ● Matte Slate	GS ● Gloss Slate
					35 35 W 3500 K 1640 lm	7 277 V~		E 1% EcoSystem®	GG ● Gloss Graphite		MG ● Matte Graphite	GG ● Gloss Graphite	MG ● Matte Graphite
								N Non-Dimming		GF Gloss Flame	MF Matte Flame	GF Gloss Flame	MF Matte Flame
										GC Gloss Copper	MC Matte Copper	GC Gloss Copper	MC Matte Copper
										GP Gloss Pearl White	MP Matte Pearl White	GP Gloss Pearl White	MP Matte Pearl White
										GL Gloss Lapis	ML Matte Lapis	GL Gloss Lapis	ML Matte Lapis
										GE Gloss Ebony	ME Matte Ebony	GE Gloss Ebony	ME Matte Ebony
										GA Gloss Arctic White	MA Matte Arctic White	GA Gloss Arctic White	MA Matte Arctic White

¹ Refer to the "Dimensions" section for exact dimensions.

KEY:
● = Standard color options
(others are special order)

NOTES:
- Custom color, hanging, and fixture options available. Contact fixture customer service at fixtures@lutron.com.

Not for use in Quebec.

PHOTOMETRIC DATA

5 ft L'ale® LED Pendant with Frosted Plastic Lens,
3500 K LEDs (LPD56LNL__-U_-)

Measured in an Integrating Sphere

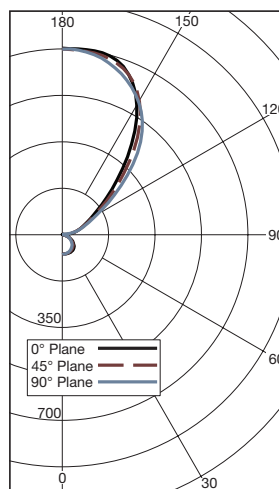
LIGHT OUTPUT (lm)	1705
INPUT POWER (W)	34.6
EFFICACY (lm/W)	49.3
COLOR ACCURACY (CRI)	96.6
COLOR TEMPERATURE (K)	3465

Measured with a Goniophotometer

ZONAL LUMEN SUMMARY		
ZONE	LUMEN (LM)	% LUMINAIRE
0-30	61	3.56
0-60	186	10.91
0-90	240	14.08
90-180	1465	85.92
0-180	1705	100.00

CANDELA TABLE			
ANGLE	0°	45°	90°
0°	76	76	76
5°	75	75	75
45°	62	57	52
90°	2	1	0
135°	295	327	376
180°	702	702	702

CANDELA PLOT

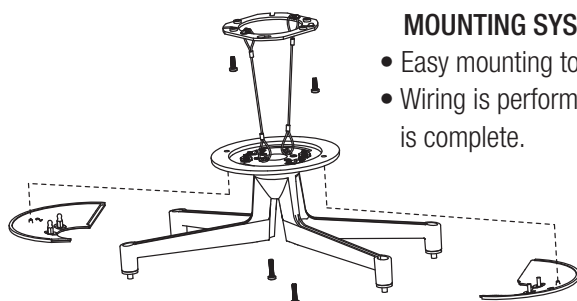
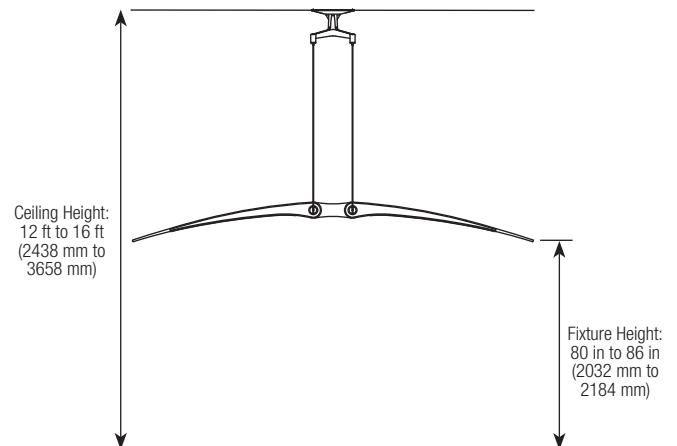


Note: IES files available at
www.lutron.com/ivalo

MOUNTING

Top edge of fixture should be 80 in (2032 mm) or higher to avoid seeing the light source from a standing position. This is a suggested height and for aesthetic appearances the fixture can be hung higher or lower.

CEILING HEIGHT	SUSPENSION CODE	ADJUSTABLE CABLE LENGTH
Up to 12 ft (3658 mm)	2	16 in to 60 in (406 mm to 1524 mm)
12 ft to 16 ft (3658 mm to 4877 mm)	6	16 in to 108 in (406 mm to 2743 mm)
Above 16 ft (4877 mm)	Contact Lutron	Contact Lutron

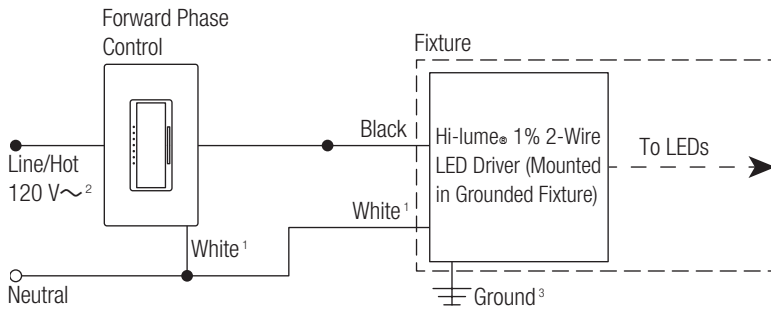


MOUNTING SYSTEM

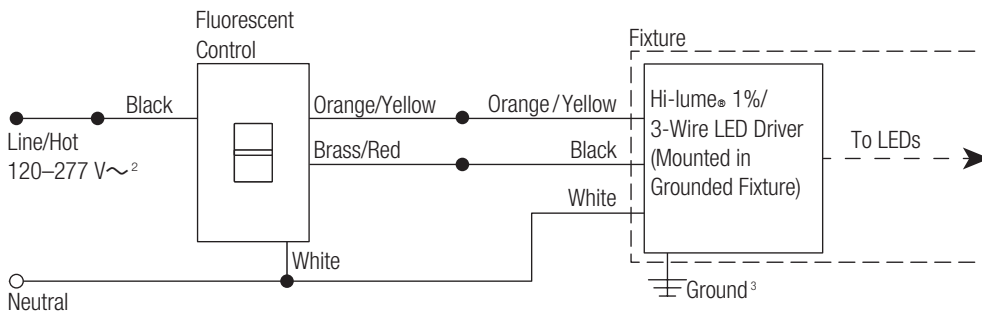
- Easy mounting to the junction box.
- Wiring is performed after mounting is complete.

CIRCUIT DIAGRAMS

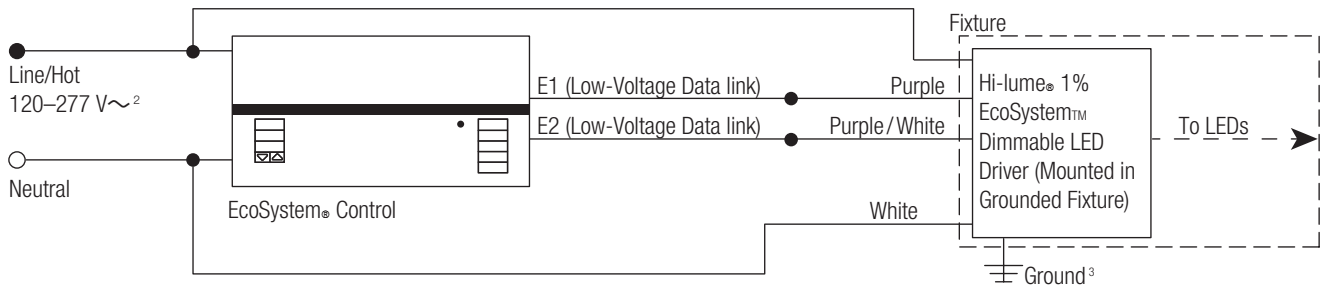
2-WIRE FORWARD PHASE (120 V~ ONLY)/NON-DIMMING CONTROL (120–277 V ~)



3-WIRE CONTROL (120–277 V~)



EcoSystem® DIGITAL CONTROL (120–277 V~)



¹ Neutral may be optional for certain control types. See product specification submittal for specific wiring diagrams.

² Refer to the specific Lutron® control specifications for the exact input voltage ratings of the product.

³ Ensure that both ground wires are connected in the junction box.

- Contact Fixtures Customer Service at fixtures@lutron.com for custom mounting options.
- For a list of compatible controls and control ratings, visit www.lutron.com/Ivalo or contact the LED Control Center of Excellence at 1.877.DIM.LED8



IVALO, L'ale, Lutron, Lutron, and EcoSystem are registered trademarks and Lutron Ivalo Collection is a trademark of Lutron Electronics Co., Inc.

©2014–2016 Lutron Electronics Co., Inc.

Lutron Electronics Co., Inc.
7200 Suter Road, Coopersburg, PA 18036
Telephone 610.282.7472 Fax 610.282.7600
fixtures@lutron.com

For limited 10-year warranty details, see
www.lutron.com/TechnicalDocumentLibrary/3683454.pdf
Specifications subject to change without notice.