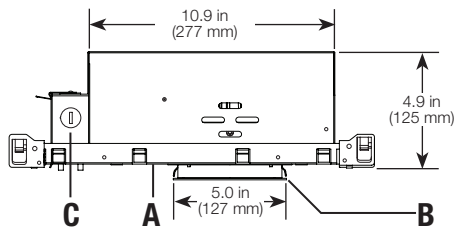


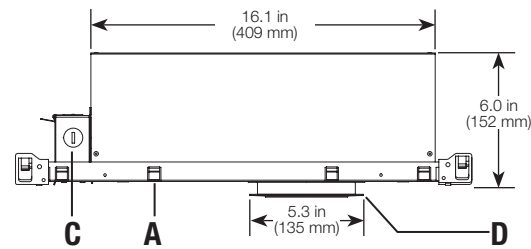


**DIMENSIONS**

SIDE VIEW (Non-IC Trimmed)



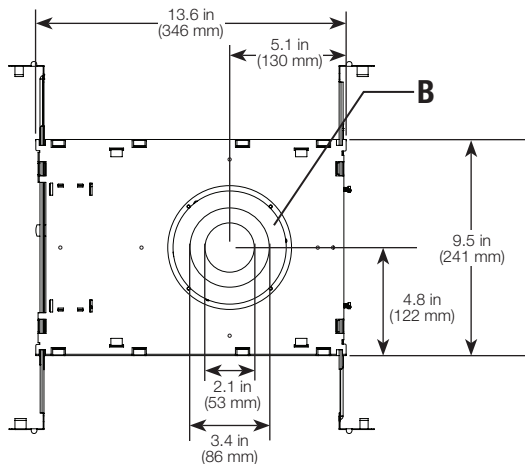
SIDE VIEW (IC Trimless)



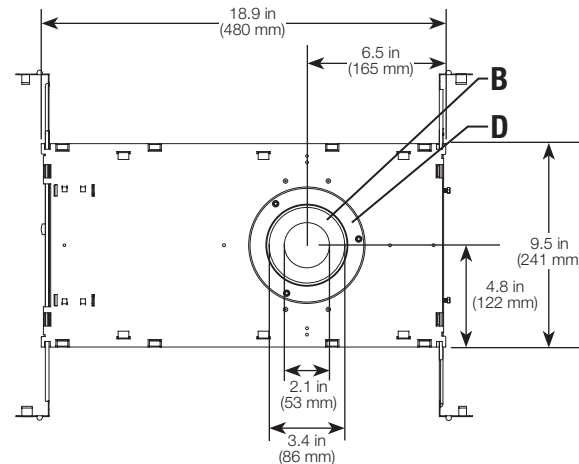
- A Frame
- B Trim
- C Junction Box
- D Mud Ring<sup>1</sup>

*Lutron Hi-lume 1% LED Driver not shown*

BOTTOM VIEW (Non-IC Trimmed)



BOTTOM VIEW (IC Trimless)



**PRINCIPAL FEATURES**

- Xicato® LEDs: 97 CRI, R9=95 (typical).
- Up to 1100 lm (delivered) for IC and 1750 lm (delivered) for Non-IC fixtures.
- IC fixtures are rated for spray foam applications.<sup>2</sup>
- Industry best fixture to fixture consistency, 1 x 2 step MacAdam Ellipses.
- Standard Lutron LED Driver delivers continuous, flicker-free dimming from 100% down to 1% of measured light output.
- Hi-lume 1% EcoSystem LED Driver features Soft-on, Fade-to-Black technology.<sup>3</sup>
- 50,000 hours rated LED system life (LED and driver).
- IC fixtures must be used for installations containing insulating materials. Non-IC fixtures cannot be used in this type of application.
- Housings finished with black powder coat.
- Frame constructed of 20 gauge steel.
- 15° narrow spot available. 28°, 40°, and 60° reflectors are field replaceable for standard and high-output fixtures.
- Variety of trim options including wood and stone trimless.<sup>4</sup>
- Chicago plenum option available.
- Wet location trim option available for wet location and covered ceiling applications. (e.g. showers, enclosed/covered porches)<sup>5</sup>.
- UL® and cUL® listed.
- Supplied with standard 14 in to 24 in (356 mm to 610 mm) adjustable bar hangers. Optional 9.5 in to 15 in (241 mm to 381 mm) bar hangers available.
- Field replaceable components (Driver, Trim, and LED)
- 2-Wire forward phase controls are generally for residential applications. EcoSystem controls are generally for commercial applications.
- IC fixtures meets airtight construction requirements for 2.0 CFM or less air leakage.
- 10-year fixture and dimming warranty. 5-year LED color shift warranty.

**SPECIFICATIONS**

- Operating Temperature:** 32 °F to 104 °F (0 °C to 40 °C)<sup>2</sup>
- Decibel Rating:** Quiet in a 25 dB room
- Max Ceiling Thickness:** 2.0 in (51 mm)
- Mud Ring Thickness<sup>1</sup>:** 0.068 in (1.7 mm)
- Ceiling Cutout:** ø 4.6 in (ø 117 mm)
- Fixture Weight:** 7.2 lb (3.3 kg) Non-IC, 8.9 lb (4.1 kg) IC.
- Fixture Size:**
  - IC: 18.9 in x 9.5 in x 6.0 in (480 mm x 241 mm x 152 mm)
  - Non-IC: 13.6 in x 9.5 in x 4.9 in (345 mm x 241 mm x 125 mm)
- Junction Box Size:** 5.6 in x 3.0 in x 1.6 in (143 mm x 76 mm x 41 mm). See NEC® chart 314.16A for box fill/wiring capacity.

**COMPATIBLE CONTROLS**

Visit [www.lutron.com/finire](http://www.lutron.com/finire)

<sup>1</sup> Mud ring is for trimless fixtures only.  
<sup>2</sup> Rated for direct application of spray foam with less than R-21 insulative value or 3 in (76.2 mm) of closed cell spray foam. 95 °F (35 °C) maximum operating temperature.  
<sup>3</sup> PWM dimming below 5% for Hi-lume 1% EcoSystem H-Series drivers.  
<sup>4</sup> For additional details please see Lutron Application Note #564 at [www.lutron.com](http://www.lutron.com)  
<sup>5</sup> Refer to **SPECIFICATIONS** and fixture installation guide for allowable product operating conditions.



**ORDERING GUIDES**

**BASE UNIT CONFIGURATION**

Select appropriate code in each column to complete model number.

Example:

FDT3RI    XX    35    40    F1    XX    XX    -    RTD00    MW    SO    XX

| SERIES   | LED Type   | TEMP                | BEAM   | CONTROL   | HANGING  | CEILING   | TRIM   | FINISH                            | LENS                                     | OPTIONS  |
|--|--|---------------------|--|---|--|---|--|-----------------------------------|--|--|
| <b>FDT3RI</b><br>Finire 3 in Trimmed IC Round Downlight      | <b>XX</b><br>Standard<br>17 W, 850 lm,<br>97 CRI <sup>1</sup>                    | <b>27</b><br>2700 K | <b>15</b><br>15° beam spread (NS LED Type only) <sup>3</sup> | <b>F1</b><br>2-Wire<br>120 V~                     | <b>XX</b><br>Standard Joist Hangers<br>14 in to 24 in (356 mm to 610 mm) | <b>XX</b><br>Standard<br>1/2 in to 5/8 in (13 mm to 16 mm)                              | <b>RTD00</b><br>Round Trimmed Downlight                          | <b>MW</b><br>Matte White          | <b>XX</b><br>None                        | <b>XX</b><br>None  |
| <b>FDT3RN</b><br>Finire 3 in Trimmed Non-IC Round Downlight  | <b>NS</b><br>Narrow Spot<br>17 W, 650 lm,<br>97 CRI (15° beam only) <sup>1</sup> | <b>30</b><br>3000 K | <b>28</b><br>28° beam spread <sup>3</sup>                    | <b>EU</b><br>EcoSystem<br>120/277 V~ <sup>4</sup> | <b>NJ</b><br>Narrow Joist Hangers<br>9.5 in to 15 in (241 mm to 381 mm)  | <b>TT</b><br>Trimless Thick Ceiling<br>>5/8 in to <2 in (>16 mm to <51 mm) <sup>5</sup> | <b>RZD00</b><br>Round Trimless Downlight                         | <b>BL</b><br>Matte Black          | <b>FG</b><br>Frosted Glass <sup>13</sup> | <b>TC</b><br>Thick Ceiling (Contact Factory) <sup>14</sup> |
| <b>FDZ3RI</b><br>Finire 3 in Trimless IC Round Downlight     | <b>HO</b><br>High Output<br>17 W, 1100 lm,<br>97 CRI <sup>1</sup>                | <b>35</b><br>3500 K | <b>40</b><br>40° beam spread <sup>3</sup>                    |   |  | <b>TW</b><br>Trimless Wood/Stone Ceiling (Contact Factory) <sup>6,7</sup>               | <b>RTP00</b><br>Round Pinhole Downlight <sup>9,10</sup>          | <b>SI</b><br>Silver <sup>11</sup> | <b>SO</b><br>Solite™ Glass <sup>13</sup> |  |
| <b>FDZ3RN</b><br>Finire 3 in Trimless Non-IC Round Downlight | <b>HP</b><br>High Plus<br>29 W, 1750 lm,<br>97 CRI <sup>2</sup>                  |                     | <b>60</b><br>60° beam spread <sup>3</sup>                    |   |  | <b>PL</b><br>Plenum Rated <sup>8</sup>  | <b>RZP00</b><br>Round Trimless Pinhole Downlight <sup>9,10</sup> | <b>RB</b><br>Bronze <sup>11</sup> |  |  |

<sup>1</sup> All wattage, lumen, and CRI values are typical values, tested with Matte White trims. For exact values reference the photometric data on page 3 or contact Fixture Customer Service.  
<sup>2</sup> Available in Non-IC fixture type only.  
<sup>3</sup> For field replacement details, contact Lutron customer service.  
<sup>4</sup> Hi-lume 1% EcoSystem LED driver with Soft-on, Fade-to-Black.  
<sup>5</sup> For ceiling thicknesses greater than 5/8 in (16 mm) but less than 2 in (51 mm). Exact ceiling thickness must be given to fixtures@lutron.com  
<sup>6</sup> For wood/stone trimless options, use trimless housing and standard trimless trim. For additional details please see Lutron Application Note #564 at www.lutron.com  
<sup>7</sup> Custom options available for wood/stone ceilings greater than 1.5 in (38 mm).  
<sup>8</sup> See IC dimensions for plenum rated fixtures.  
<sup>9</sup> Pinhole trims come in Matte White, Matte Black, Silver, or Bronze with Black inside baffle.  
<sup>10</sup> Solite™ lens recommended for pinhole trim.  
<sup>11</sup> Painted finish.  
<sup>12</sup> Clear Chrome, Silver/White, and Clear Anodized trims come with a Matte White flange standard for trimmed options.  
<sup>13</sup> All Frosted and Solite™ lens options are wet location rated.  
<sup>14</sup> For ceiling thickness greater than 5/8 in (16 mm) but less than 2 in (51 mm). For additional details please see Lutron Application Note #564 at www.lutron.com

|   |
|---|
| <b>CA</b><br>Clear Anodized/White <sup>12</sup> |
| <b>CC</b><br>Clear Chrome/White <sup>12</sup>   |
| <b>SW</b><br>Silver/White <sup>11,12</sup>      |
| <b>BC</b><br>Black Chrome/White <sup>9,11</sup> |

**NOTES:**  
Housing and trim assemblies can be purchased or shipped separately.  
Additional options available:  
 – Trim flange color combinations  
 – Hi-lume 1% EcoSystem LED driver  
 – Trimless wood/stone greater than 1.5 in (38 mm) thick  
 – Ceiling greater than 2 in (51mm) thick  
 – 4000 K CCT  
 – Custom options  
 For more information please contact Fixture Customer Service at fixtures@lutron.com or 610.282.7472.

For ENERGY STAR® and Title 24 compliant model numbers or for more information, please contact Fixture Customer Service at fixtures@lutron.com or 610.282.7472.



**PHOTOMETRIC DATA - DOWNLIGHT**

|                           |                              | 97 CRI / R9 = 95 |                           |                              |            |                           |                              |            |                           |  |
|---------------------------|------------------------------|------------------|---------------------------|------------------------------|------------|---------------------------|------------------------------|------------|---------------------------|--|
| LED TYPE                  | Narrow Spot                  |                  |                           | Standard                     |            |                           | High Output                  |            |                           |  |
| BEAM ANGLE                | 15°                          |                  |                           | 40°                          |            |                           | 60°                          |            |                           |  |
| MODEL NUMBER              | FDT3RNNS30153UXXX-RTD00MWXXX |                  |                           | FDT3RNXX2740F1XXX-RTD00MWXXX |            |                           | FDT3RNHO35603UXXX-RTD00MWXXX |            |                           |  |
| LIGHT OUTPUT (lm)         | 658                          |                  |                           | 964                          |            |                           | 1131                         |            |                           |  |
| WATTAGE (W)               | 15.81                        |                  |                           | 16.33                        |            |                           | 17.43                        |            |                           |  |
| EFFICACY (lm/W)           | 39.7                         |                  |                           | 57.5                         |            |                           | 64.9                         |            |                           |  |
| COLOR ACCURACY CRI        | 96.4                         |                  |                           | 97.4                         |            |                           | 96.9                         |            |                           |  |
| COLOR TEMPERATURE         | 3000 K                       |                  |                           | 2700 K                       |            |                           | 3500 K                       |            |                           |  |
| CANDELA PLOT (NADIR)      |                              |                  |                           |                              |            |                           |                              |            |                           |  |
| MULTIPLE UNITS            | CONE OF LUMINANCE            |                  |                           | CONE OF LUMINANCE            |            |                           | CONE OF LUMINANCE            |            |                           |  |
| H = DISTANCE FROM CEILING | Height (ft)                  | Nadir (fc)       | 50% Lighted Diameter (ft) | Height (ft)                  | Nadir (fc) | 50% Lighted Diameter (ft) | Height (ft)                  | Nadir (fc) | 50% Lighted Diameter (ft) |  |
| 4 ft (1.22 m)             | 4                            | 275              | 1.08                      | 4                            | 118        | 2.83                      | 4                            | 91.1       | 3.26                      |  |
| 6 ft (1.83 m)             | 6                            | 122              | 1.61                      | 6                            | 52.3       | 4.25                      | 6                            | 40.5       | 4.90                      |  |
| 8 ft (2.44 m)             | 8                            | 68.7             | 2.15                      | 8                            | 29.4       | 5.67                      | 8                            | 22.8       | 6.53                      |  |
| 10 ft (3.05 m)            | 10                           | 44.0             | 2.69                      | 10                           | 18.8       | 7.08                      | 10                           | 14.6       | 8.16                      |  |
| 12 ft (3.66 m)            | 12                           | 30.5             | 3.23                      | 12                           | 13.1       | 8.50                      | 12                           | 10.1       | 9.79                      |  |
| 14 ft (4.27 m)            | 14                           | 22.4             | 3.76                      | 14                           | 9.61       | 9.92                      | 14                           | 7.43       | 11.4                      |  |
| 16 ft (4.88 m)            | 16                           | 17.2             | 4.30                      | 16                           | 7.36       | 11.3                      | 16                           | 5.69       | 13.1                      |  |

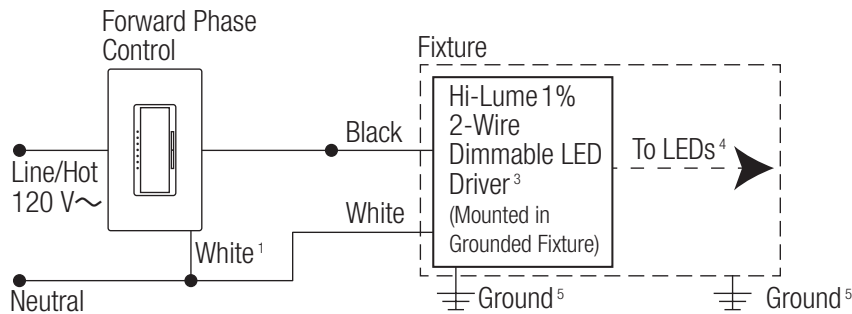
| TRIM / LENS OPTION EFFICIENCY |              |              |                 |              |
|-------------------------------|--------------|--------------|-----------------|--------------|
| No Lens                       | Solite™ Lens | Frosted Lens | Wall Wash Lens* | Pinhole Trim |
| 100%                          | 96%          | 87%          | 62%             | 75%          |

\* Wall Wash standard with frosted lens.

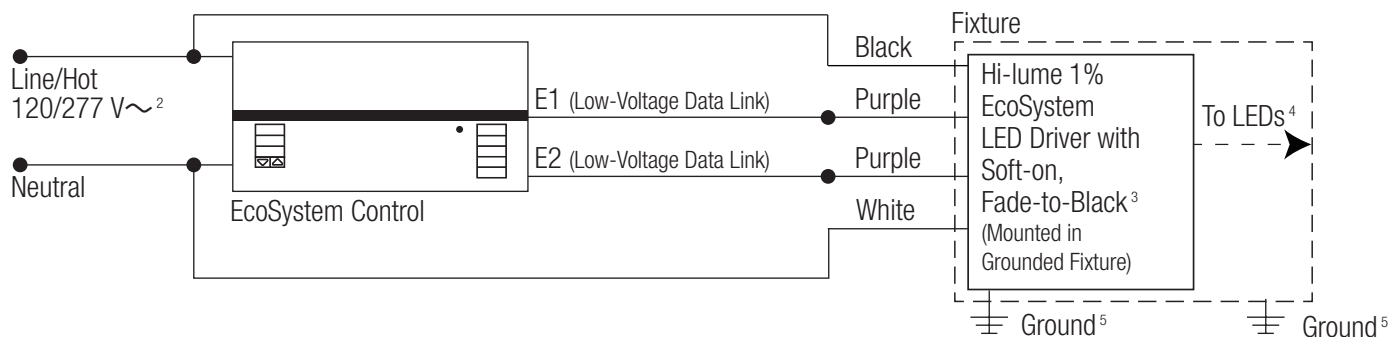


**CIRCUIT DIAGRAMS**

**F1: 2-WIRE FORWARD PHASE CONTROL WITH NEUTRAL (120 V~ ONLY)**



**EU: EcoSystem DIGITAL CONTROL (120/277 V~)**



<sup>1</sup> Neutral may be optional for certain control types. See product specification submittal for specific wiring diagrams.  
<sup>2</sup> Refer to the specific Lutron control specifications for exact input voltage rating of the product.  
<sup>3</sup> 40 W maximum rated drivers.  
<sup>4</sup> LED connectors are specific to LED/module type. Follow product guidelines on housing label for compatibility.  
<sup>5</sup> Ensure that both ground wires are connected in the junction box.

- Contact Fixture Customer Service for custom options at [fixtures@lutron.com](mailto:fixtures@lutron.com)
- For a list of compatible controls and control ratings, visit [www.lutron.com/finire](http://www.lutron.com/finire) or contact the LED Control Center of Excellence at 1.877.DIM.LED8 or [leds@lutron.com](mailto:leds@lutron.com)



Lutron Electronics Co., Inc.  
 7200 Suter Road, Coopersburg, PA 18036  
 Telephone 610.282.7472 Fax 610.282.7600  
[fixtures@lutron.com](mailto:fixtures@lutron.com)

Lutron, Lutron, EcoSystem, Finiré, Hi-Lume, IVALO, and IVALO Lighting are trademarks of Lutron Electronics Co., Inc., registered in the U.S. and other countries. Lutron Ivalo Collection and Soft-on, Fade-to-Black are trademarks of Lutron Electronics Co., Inc.

Xicato is a registered trademark of Xicato Inc., San Jose, CA  
 SOLITE is a trademark of Solite Innovations LLC.

ENERGY STAR and the ENERGY STAR mark are registered trademarks owned by the U.S. Environmental Protection Agency.

©2015-2019 Lutron Electronics Co., Inc.

For limited 10-year warranty details, see [www.lutron.com/TechnicalDocumentLibrary/3683454.pdf](http://www.lutron.com/TechnicalDocumentLibrary/3683454.pdf)

Specification subject to change without notice