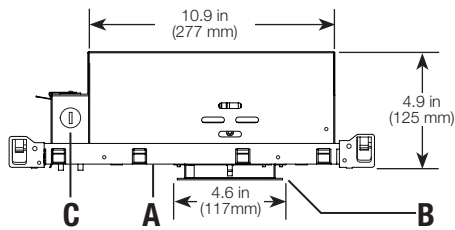


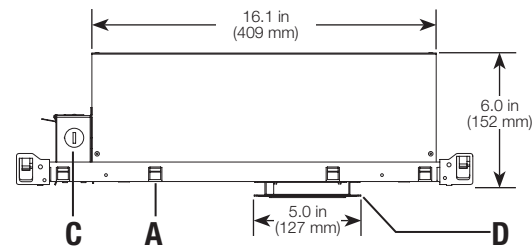


**DIMENSIONS**

SIDE VIEW (Non-IC Trimmed)

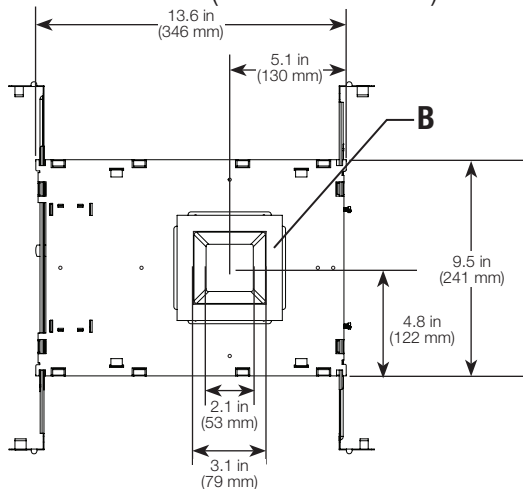


SIDE VIEW (IC Trimless)

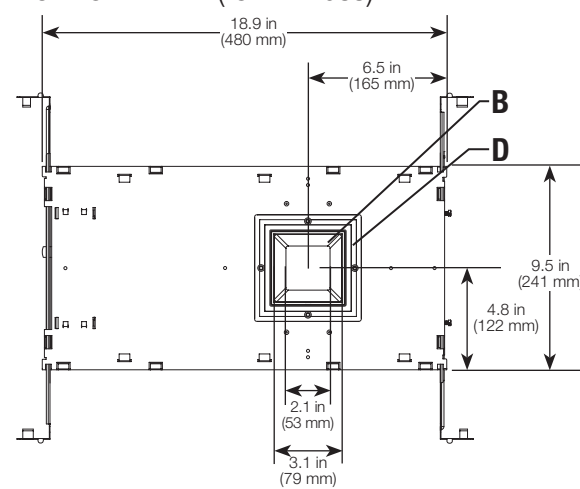


A Frame  
B Trim  
C Junction Box  
D Mud Ring<sup>1</sup>  
*Lutron Hi-lume 1% LED Driver not shown*

BOTTOM VIEW (Non-IC Trimmed)



BOTTOM VIEW (IC Trimless)



**PRINCIPAL FEATURES**

- Xicato® LEDs: 97 CRI, R9=95 (typical).
- Up to 1100 lm (delivered) for IC and 1750 lm (delivered) for Non-IC fixtures.
- IC fixtures are rated for spray foam applications.<sup>2</sup>
- Industry best fixture to fixture consistency, 1 x 2 step MacAdam Ellipses.
- Standard Lutron LED Driver delivers continuous, flicker-free dimming from 100% down to 1% of measured light output.
- Hi-lume 1% EcoSystem LED Driver features Soft-on, Fade-to-Black technology.<sup>3</sup>
- 50,000 hours rated LED system life (LED and driver).
- IC fixtures must be used for installations containing insulating materials. Non-IC fixtures cannot be used in this type of application.
- Housings finished with black powder coat.
- Frame constructed of 20 gauge steel.
- 15° narrow spot available. 28°, 40°, and 60° reflectors are field replaceable for standard and high-output fixtures.
- Variety of trim options including wood and stone trimless.<sup>4</sup>

- Chicago plenum option available.
- Wet location trim option available for wet location and covered ceiling applications (e.g., showers, enclosed/covered porches)<sup>5</sup>.
- UL® and cUL® listed.
- Supplied with standard 14 in to 24 in (356 mm to 610 mm) adjustable bar hangers. Optional 9.5 in to 15 in (241 mm to 381 mm) bar hangers available.
- Field replaceable components (Driver, Trim, and LED).
- 2-Wire forward phase controls are generally for residential applications. EcoSystem controls are generally for commercial applications.
- IC fixtures meet airtight construction requirements for 2.0 CFM or less air leakage.
- 10-year fixture and dimming warranty. 5-year LED color shift warranty.

**SPECIFICATIONS**

**Operating Temperature:** 32 °F to 104 °F (0 °C to 40 °C)<sup>2</sup>

**Decibel Rating:** Quiet in a 25 dB room

**Max Ceiling Thickness:** 2.0 in (51 mm)

**Mud Ring Thickness<sup>1</sup>:** 0.093 in (2.4 mm)

**Ceiling Cutout:** 4.1 in x 4.1 in (104 mm x 104 mm)

**Fixture Weight:** 7.2 lb (3.3 kg) Non-IC, 8.9 lb (4.1 kg) IC.

**Fixture Size:**

- IC: 18.9 in x 9.5 in x 6.0 in (480 mm x 241 mm x 152 mm)

- Non-IC: 13.6 in x 9.5 in x 4.9 in (345 mm x 241 mm x 125 mm)

**Junction Box Size:** 5.6 in x 3.0 in x 1.6 in (143 mm x 76 mm x 41 mm). See NEC® chart 314.16A for box fill/wiring capacity.

**COMPATIBLE CONTROLS**

Visit [www.lutron.com/finire](http://www.lutron.com/finire)

<sup>1</sup> Mud ring is for trimless fixtures only.  
<sup>2</sup> Rated for direct application of spray foam with less than R-21 insulative value or 3 in (76.2 mm) of closed cell spray foam. 95 °F (35 °C) maximum operating temperature.  
<sup>3</sup> PWM dimming below 5% for Hi-lume 1% EcoSystem H-Series drivers.  
<sup>4</sup> For additional details please see Lutron Application Note #564 at [www.lutron.com](http://www.lutron.com)  
<sup>5</sup> Refer to **SPECIFICATIONS** and fixture installation guide for allowable product operating conditions.



### ORDERING GUIDES

#### BASE UNIT CONFIGURATION

Select appropriate code in each column to complete model number.

Example:

FDT3SI    XX    35    40    F1    XX    XX    -    STD00    MW    SO    XX

SERIES	LED Type	TEMP	BEAM	CONTROL	HANGING	CEILING	TRIM	FINISH	LENS	OPTIONS
<b>FDT3SI</b> Finire 3 in Trimmed IC Square Downlight	<b>XX</b> Standard 17 W, 850 lm, 97 CRI <sup>1</sup>	<b>27</b> 2700 K	<b>15</b> 15° beam spread (NS LED Type only) <sup>3</sup>	<b>F1</b> 2-Wire 120 V~	<b>XX</b> Standard Joist Hangers 14 in to 24 in (356 mm to 610 mm)	<b>XX</b> Standard 1/2 in to 5/8 in (13 mm to 16 mm)	<b>STD00</b> Square Trimmed Downlight	<b>MW</b> Matte White	<b>XX</b> None	<b>XX</b> None
<b>FDT3SN</b> Finire 3 in Trimmed Non-IC Square Downlight	<b>NS</b> Narrow Spot 17 W, 650 lm, 97 CRI (15° beam only) <sup>1</sup>	<b>30</b> 3000 K	<b>28</b> 28° beam spread <sup>3</sup>	<b>EU</b> EcoSystem 120/277 V~ <sup>4</sup>	<b>NJ</b> Narrow Joist Hangers 9.5 in to 15 in (241 mm to 381 mm)	<b>TT</b> Trimless Thick Ceiling >5/8 in to <2 in (>16 mm to <51 mm) <sup>5</sup>	<b>SZD00</b> Square Trimless Downlight	<b>BL</b> Matte Black	<b>FG</b> Frosted Glass <sup>13</sup>	<b>TC</b> Thick Ceiling (Contact Factory) <sup>14</sup>
<b>FDZ3SI</b> Finire 3 in Trimless IC Square Downlight	<b>HO</b> High Output 17 W, 1100 lm, 97 CRI <sup>1</sup>	<b>35</b> 3500 K	<b>40</b> 40° beam spread <sup>3</sup>			<b>TW</b> Trimless Wood/Stone Ceiling (Contact Factory) <sup>6,7</sup>	<b>STP00</b> Square Pinhole Downlight <sup>9,10</sup>	<b>SI</b> Silver <sup>11</sup>	<b>SO</b> Solite™ Glass <sup>13</sup>	
<b>FDZ3SN</b> Finire 3 in Trimless Non-IC Square Downlight	<b>HP</b> High Plus 29 W, 1750 lm, 97 CRI <sup>2</sup>		<b>60</b> 60° beam spread <sup>3</sup>			<b>PL</b> Plenum Rated <sup>8</sup>	<b>SZP00</b> Square Trimless Pinhole Downlight <sup>9,10</sup>	<b>RB</b> Bronze <sup>11</sup>		
								<b>CA</b> Clear Anodized/White <sup>12</sup>		
								<b>CC</b> Clear Chrome/White <sup>12</sup>		
								<b>SW</b> Silver/White <sup>11,12</sup>		
								<b>BC</b> Black Chrome/White <sup>9,11</sup>		

- <sup>1</sup> All wattage, lumen, and CRI values are typical values, tested with Matte White trims. For exact values reference the photometric data on page 3 or contact Fixture Customer Service.
- <sup>2</sup> Available in Non-IC fixture type only.
- <sup>3</sup> For field replacement details, contact Lutron customer service.
- <sup>4</sup> Hi-lume 1% EcoSystem LED driver with Soft-on, Fade-to-Black.
- <sup>5</sup> For ceiling thicknesses greater than 5/8 in (16 mm) but less than 2 in (51 mm). Exact ceiling thickness must be given to fixtures@lutron.com
- <sup>6</sup> For wood/stone trimless options, use trimless housing and standard trimless trim. For additional details please see Lutron Application Note #564 at www.lutron.com
- <sup>7</sup> Custom options available for wood/stone ceilings greater than 1.5 in (38 mm).
- <sup>8</sup> See IC dimensions for plenum rated fixtures.
- <sup>9</sup> Pinhole trims come in Matte White, Matte Black, Silver, or Bronze with Black inside baffle.
- <sup>10</sup> Solite™ lens recommended for pinhole trim.
- <sup>11</sup> Painted finish.
- <sup>12</sup> Clear Chrome, Silver/White, and Clear Anodized trims come with a Matte White flange standard for trimmed options.
- <sup>13</sup> All Frosted and Solite™ lens options are wet location rated.
- <sup>14</sup> For ceiling thickness greater than 5/8 in (16 mm) but less than 2 in (51 mm) For additional details please see Lutron Application Note #564 at www.lutron.com

**NOTES:**

Housing and trim assemblies can be purchased or shipped separately.

Additional options available:

- Trim flange color combinations
- Hi-lume 1% EcoSystem LED driver
- Trimless wood/stone > 1.5 in (38 mm) thick
- Ceiling > 2 in (51mm) thick
- 4000 K CCT
- Custom options

For more information please contact Fixture Customer Service at fixtures@lutron.com or 610.282.7472.

For ENERGY STAR® and Title 24 compliant model numbers or for more information, please contact Fixture Customer Service at fixtures@lutron.com or 610.282.7472.

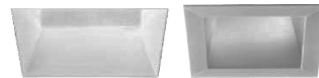


**PHOTOMETRIC DATA - DOWNLIGHT**

		97 CRI / R9 = 95								
LED TYPE		Narrow Spot			Standard			High Output		
BEAM ANGLE		15°			40°			60°		
MODEL NUMBER		FDT3SNNS30153UXXX-STD00MWXXX			FDT3SNXX2740F1XXX-STD00MWXXX			FDT3SNH035603UXXX-STD00MWXXX		
LIGHT OUTPUT (lm)		668			970			1164		
WATTAGE (W)		15.82			16.32			17.43		
EFFICACY (lm/W)		42.2			59.4			66.8		
COLOR ACCURACY CRI		96.4			97.4			97.0		
COLOR TEMPERATURE		3000 K			2700 K			3500 K		
CANDELA PLOT (NADIR)										
MULTIPLE UNITS		CONE OF LUMINANCE			CONE OF LUMINANCE			CONE OF LUMINANCE		
H = DISTANCE FROM CEILING		Height (ft)	Nadir (fc)	50% Lighted Diameter (ft)	Height (ft)	Nadir (fc)	50% Lighted Diameter (ft)	Height (ft)	Nadir (fc)	50% Lighted Diameter (ft)
4 ft (1.22 m)		4	273	1.08	4	118	2.84	4	92.3	3.26
6 ft (1.83 m)		6	121	1.62	6	52.6	4.26	6	41.0	4.89
8 ft (2.44 m)		8	68.2	2.16	8	29.6	5.68	8	23.1	6.52
10 ft (3.05 m)		10	43.7	2.70	10	18.9	7.10	10	14.8	8.15
12 ft (3.66 m)		12	30.3	3.24	12	13.1	9.95	12	10.3	9.78
14 ft (4.27 m)		14	22.3	3.78	14	9.65	9.95	14	7.53	11.4
16 ft (4.88 m)		16	17.1	4.32	16	7.39	11.4	16	5.77	13.0

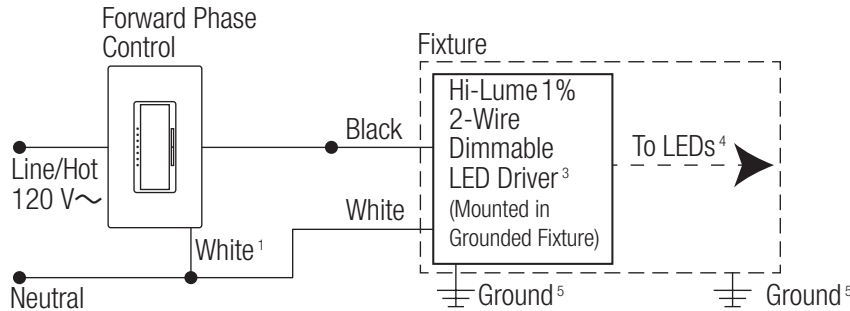
TRIM / LENS OPTION EFFICIENCY				
No Lens	Solite™ Lens	Frosted Lens	Wall Wash Lens*	Pinhole Trim
100%	96%	87%	62%	75%

\* Wall Wash standard with frosted lens.

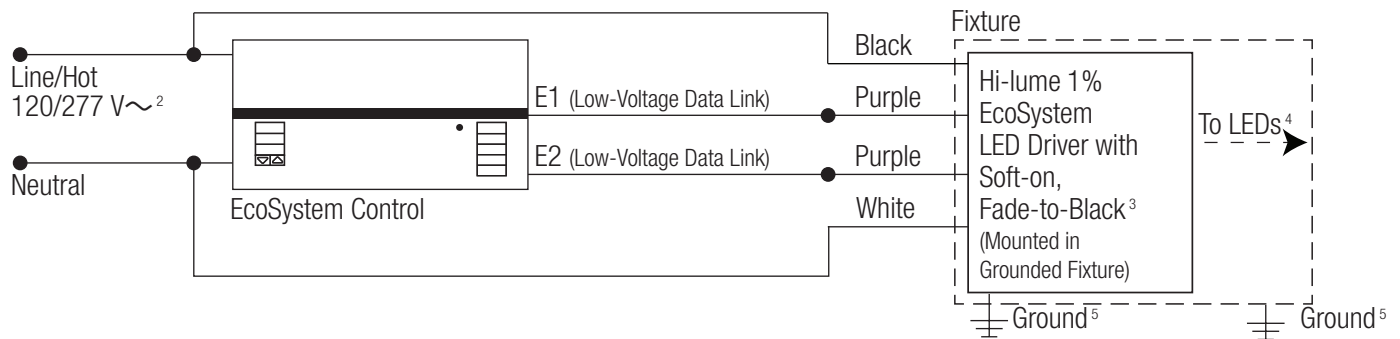


**CIRCUIT DIAGRAMS**

**F1: 2-WIRE FORWARD PHASE CONTROL WITH NEUTRAL (120 V~ ONLY)**



**EU: EcoSystem DIGITAL CONTROL (120/277 V~)**



- <sup>1</sup> Neutral may be optional for certain control types. See product specification submittal for specific wiring diagrams.
- <sup>2</sup> Refer to the specific Lutron control specifications for exact input voltage rating of the product.
- <sup>3</sup> 40 W maximum rated drivers.
- <sup>4</sup> LED connectors are specific to LED/module type. Follow product guidelines on housing label for compatibility.
- <sup>5</sup> Ensure that both ground wires are connected in the junction box.

- Contact Fixture Customer Service for custom options at [fixtures@lutron.com](mailto:fixtures@lutron.com)
- For a list of compatible controls and control ratings, visit [www.lutron.com/finire](http://www.lutron.com/finire) or contact the LED Control Center of Excellence at 1.877.DIM.LED8 or [leds@lutron.com](mailto:leds@lutron.com)



Lutron, Lutron, EcoSystem, Finiré, Hi-lume, IVALO, and IVALO Lighting are trademarks of Lutron Electronics Co., Inc., registered in the U.S. and other countries. Lutron Ivalo Collection and Soft-on, Fade-to-Black are trademarks of Lutron Electronics Co., Inc.

Xicato is a registered trademark of Xicato Inc., San Jose, CA

SOLITE is a trademark of Solite Innovations LLC.

ENERGY STAR and the ENERGY STAR mark are registered trademarks owned by the U.S. Environmental Protection Agency.

©2015-2019 Lutron Electronics Co., Inc.

Lutron Electronics Co., Inc.

7200 Suter Road, Coopersburg, PA 18036

Telephone 610.282.7472 Fax 610.282.7600

[fixtures@lutron.com](mailto:fixtures@lutron.com)

For limited 10-year warranty details, see

[www.lutron.com/TechnicalDocumentLibrary/3683454.pdf](http://www.lutron.com/TechnicalDocumentLibrary/3683454.pdf)

Specification subject to change without notice