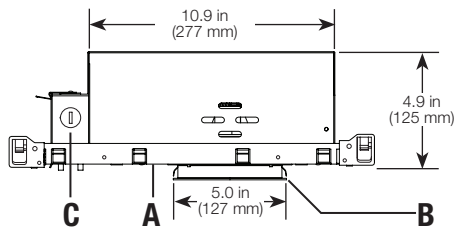


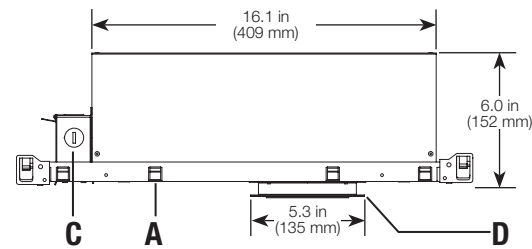


### DIMENSIONS

SIDE VIEW (Non-IC Trimmed)



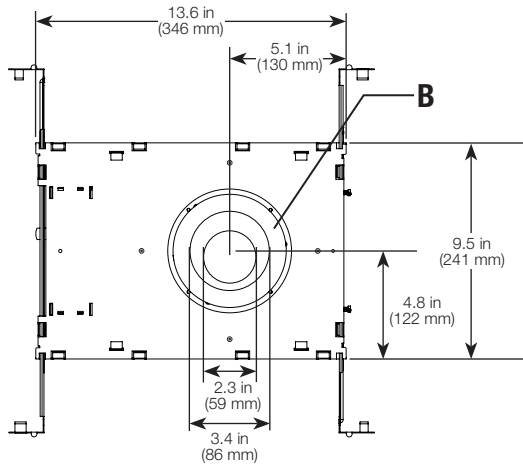
SIDE VIEW (IC Trimless)



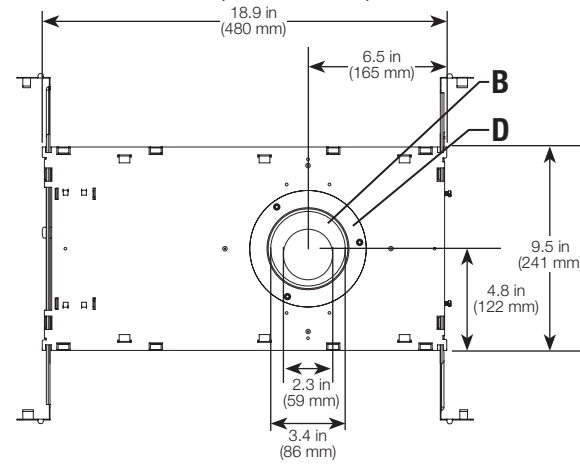
A Frame  
 B Trim  
 C Junction Box  
 D Mud Ring<sup>1</sup>

*Lutron Hi-lume 1% LED Driver not shown*

BOTTOM VIEW (Non-IC Trimmed)



BOTTOM VIEW (IC Trimless)



### PRINCIPAL FEATURES

- Xicato® LEDs: 97 CRI, R9=95 (typical).
- Up to 1100 lm (delivered) for IC and 1750 lm (delivered) for Non-IC fixtures.
- IC fixtures are rated for spray foam applications.<sup>2</sup>
- Industry best fixture to fixture consistency, 1 x 2 step MacAdam Ellipses.
- Standard Lutron LED Driver delivers continuous, flicker-free dimming from 100% down to 1% of measured light output.
- Hi-lume 1% EcoSystem LED Driver features Soft-on, Fade-to-Black technology.<sup>3</sup>
- 50,000 hours rated LED system life (LED and driver).
- IC fixtures must be used for installations containing insulating materials. Non-IC fixtures cannot be used in this type of application.
- Adjustable fixtures have toolless, adjustable mechanism with locking features (0° to 40° tilt in 5° increments and 362° rotation).
- Infinite adjustable fixtures have adjustable mechanism with locking features (0° to 40° in any increment and 362° rotation) and comes with tool that allows for hot aiming.
- Housings finished with black powder coat.
- Frame constructed of 20 gauge steel.

- 15° narrow spot available. 28°, 40°, and 60° reflectors are field replaceable for standard and high-output fixtures.
- Variety of trim options including wood and stone trimless.<sup>4</sup>
- Chicago plenum option available.
- Wet location trim option available for wet location and covered ceiling applications (e.g., showers, enclosed/covered porches)<sup>5</sup>.
- UL® and cUL® listed.
- Supplied with standard 14 in to 24 in (356 mm to 610 mm) adjustable bar hangers. Optional 9.5 in to 15 in (241 mm to 381 mm) bar hangers available.
- Field replaceable components (Driver, Trim, and LED).
- 2-Wire forward phase controls are generally for residential applications. EcoSystem controls are generally for commercial applications.
- IC fixtures meet airtight construction requirements for 2.0 CFM or less air leakage.
- 10-year fixture and dimming warranty. 5-year LED color shift warranty.
- Adjustable fixtures accommodate ceilings up to 40° slope (10/12 roof pitch).<sup>4</sup>

### SPECIFICATIONS

**Operating Temperature:** 32 °F to 104 °F (0 °C to 40 °C)<sup>2</sup>

**Decibel Rating:** Quiet in a 25 dB room

**Max Ceiling Thickness:** 2.0 in (51 mm)

**Mud Ring Thickness<sup>1</sup>:** 0.068 in (1.7 mm)

**Ceiling Cutout:** ø 4.6 in (ø 117 mm)

**Fixture Weight:** 7.2 lb (3.3 kg) Non-IC,

8.9 lb (4.1 kg) IC.

**Fixture Size:**

- IC: 18.9 in x 9.5 in x 6.0 in (480 mm x 241 mm x 152 mm)

- Non-IC: 13.6 in x 9.5 in x 4.9 in (345 mm x 241 mm x 125 mm)

**Junction Box Size:** 5.6 in x 3.0 in x 1.6 in (143 mm x 76 mm x 41 mm). See NEC chart 314.16A for box fill/wiring capacity.

### COMPATIBLE CONTROLS

Visit [www.lutron.com/finire](http://www.lutron.com/finire)

<sup>1</sup> Mud ring is for trimless fixtures only.  
<sup>2</sup> Rated for direct application of spray foam with less than R-21 insulative value or 3 in (76.2 mm) of closed cell spray foam. 95 °F (35 °C) maximum operating temperature.

<sup>3</sup> PWM dimming below 5% for Hi-lume 1% EcoSystem H-Series drivers.

<sup>4</sup> For additional details please see Lutron Application Note #564 at [www.lutron.com](http://www.lutron.com)

<sup>5</sup> Refer to **SPECIFICATIONS** and fixture installation guide for allowable product operating conditions.



**ORDERING GUIDES**

**BASE UNIT CONFIGURATION**

Select appropriate code in each column to complete model number.

Example:

FAT3RI    XX    35    40    F1    XX    XX    -    RTA00    MW    SO    XX

SERIES	LED Type	TEMP	BEAM	CONTROL	HANGING	CEILING	TRIM	FINISH	LENS	OPTIONS
<b>FAT3RI</b> Finire 3 in Trimmed IC Round Adjustable	<b>XX</b> Standard 17 W, 850 lm, 97 CRI <sup>1</sup>	<b>27</b> 2700 K	<b>15</b> 15° beam spread (NS LED Type only) <sup>3</sup>	<b>F1</b> 2-Wire 120 V~	<b>XX</b> Standard Joist Hangers 14 in to 24 in (356 mm to 610 mm)	<b>XX</b> Standard 1/2 in to 5/8 in (13 mm to 16 mm)	<b>RTA00</b> Round Trimmed Adjustable	<b>MW</b> Matte White	<b>XX</b> None	<b>XX</b> None
<b>FAT3RN</b> Finire 3 in Trimmed Non-IC Round Adjustable	<b>NS</b> Narrow Spot 17 W, 650 lm, 97 CRI <sup>1</sup> (15° beam only) <sup>1</sup>	<b>30</b> 3000 K	<b>28</b> 28° beam spread <sup>3</sup>	<b>EU</b> EcoSystem 120/277 V~ <sup>4</sup>	<b>NJ</b> Narrow Joist Hangers 9.5 in to 15 in (241 mm to 381 mm)	<b>TT</b> Trimless Thick Ceiling >5/8 in to <2 in (>16 mm to <51 mm) <sup>5</sup>	<b>RZA00</b> Round Trimless Adjustable	<b>BL</b> Matte Black	<b>FG</b> Frosted Glass <sup>13</sup>	<b>TC</b> Thick Ceiling (Contact Factory) <sup>15</sup>
<b>FAZ3RI</b> Finire 3 in Trimless IC Round Adjustable	<b>HO</b> High Output 17 W, 1100 lm, 97 CRI <sup>1</sup>	<b>35</b> 3500 K	<b>40</b> 40° beam spread <sup>3</sup>			<b>TW</b> Trimless Wood/Stone Ceiling (Contact Factory) <sup>6,7</sup>	<b>RTD00</b> Round Trimmed Downlight <sup>9</sup>	<b>SI</b> <sup>11</sup> Silver	<b>SO</b> Solite™ Glass <sup>13</sup>	
<b>FAZ3RN</b> Finire 3 in Trimless Non-IC Round Adjustable	<b>HP</b> High Plus 29 W, 1750 lm, 97 CRI <sup>2</sup>		<b>60</b> 60° beam spread <sup>3</sup>			<b>PL</b> Plenum Rated <sup>8</sup>	<b>RZD00</b> Round Trimless Downlight <sup>9</sup>	<b>RB</b> <sup>11</sup> Bronze	<b>WW</b> Wall Wash <sup>13,14</sup>	
<b>FIT3RI</b> Finire 3 in Trimmed IC Round Infinite Adjustable							<b>RTS00</b> Round Pinhole (Slotted) Adjustable <sup>10</sup>	<b>CA</b> <sup>12</sup> Clear Anodized/ White		
<b>FIT3RN</b> Finire 3 in Trimmed Non-IC Round Infinite Adjustable							<b>RZS00</b> Round Trimless Pinhole (Slotted) Adjustable <sup>10</sup>	<b>CC</b> <sup>12</sup> Clear Chrome/ White		
<b>FIZ3RI</b> Finire 3 in Trimless IC Round Infinite Adjustable								<b>SW</b> <sup>11,12</sup> Silver/ White		
<b>FIZ3RN</b> Finire 3 in Trimless Non-IC Round Infinite Adjustable								<b>BC</b> <sup>11,12</sup> Black Chrome/ White		

<sup>1</sup> All wattage, lumen, and CRI values are typical values, tested with Matte White trims. For exact values reference the photometric data on page 3 or contact Fixture Customer Service.  
<sup>2</sup> Available in Non-IC fixture type only.  
<sup>3</sup> For field replacement details, contact Lutron customer service.  
<sup>4</sup> Hi-lume 1% EcoSystem LED driver with Soft-on, Fade-to-Black.  
<sup>5</sup> For ceiling thicknesses greater than 5/8 in (16 mm) but less than 2 in (51 mm). Exact ceiling thickness must be given to fixtures@lutron.com  
<sup>6</sup> For wood/stone trimless options, use trimless housing and standard trimless trim. For additional details please see Lutron Application Note #564 at www.lutron.com  
<sup>7</sup> Custom options available for wood/stone ceilings greater than 1.5 in (38 mm).  
<sup>8</sup> See IC dimensions for plenum rated fixtures.  
<sup>9</sup> Downlight trim can be used with adjustable fixtures. Tilt is limited to 20°.  
<sup>10</sup> Solite™ lens recommended for slotted pinhole trim.  
<sup>11</sup> Painted finish.  
<sup>12</sup> Clear Chrome, Silver/White, Clear Anodized, and Black Chrome trims come with a Matte White flange standard for trimmed options.  
<sup>13</sup> All Frosted, Solite™, and Wall Wash lens options are wet location rated.  
<sup>14</sup> Only for use with adjustable trims. Recommended with 40° beam spread at 40° tilt angle.  
<sup>15</sup> For ceiling thickness greater than 5/8 in (16 mm) but less than 2 in (51 mm). For additional details please see Lutron Application Note #564 at www.lutron.com

**NOTES:**

Housing and trim assemblies can be purchased or shipped separately.

Additional options available:

- Trim flange color combinations
- Hi-lume 1% EcoSystem LED driver
- Trimless wood/stone > 1.5 in (38 mm) thick
- Ceiling > 2 in (51 mm) thick
- 4000 K CCT
- Custom options

For more information please contact Fixture Customer Service at fixtures@lutron.com or 610.282.7472.

For ENERGY STAR® and Title 24 compliant model numbers or for more information, please contact Fixture Customer Service at fixtures@lutron.com or 610.282.7472.



**PHOTOMETRIC DATA - DOWNLIGHT**

		97 CRI / R9 = 95								
LED TYPE	Narrow Spot			Standard			High Output			
BEAM ANGLE	15°			40°			60°			
MODEL NUMBER	FDT3RNNS30153UXXXX-RTD00MWXXXX			FDT3RNXX2740F1XXXX-RTD00MWXXXX			FDT3RNHO35603UXXXX-RTD00MWXXXX			
LIGHT OUTPUT (lm)	658			964			1131			
WATTAGE (W)	15.81			16.33			17.43			
EFFICACY (lm/W)	41.6			59.0			64.9			
COLOR ACCURACY CRI	96.4			97.4			96.9			
COLOR TEMPERATURE	3000 K			2700 K			3500 K			
CANDELA PLOT (NADIR)										
MULTIPLE UNITS	CONE OF LUMINANCE			CONE OF LUMINANCE			CONE OF LUMINANCE			
H = DISTANCE FROM CEILING	Height (ft)	Nadir (fc)	50% Lighted Diameter (ft)	Height (ft)	Nadir (fc)	50% Lighted Diameter (ft)	Height (ft)	Nadir (fc)	50% Lighted Diameter (ft)	
4 ft (1.22 m)	4	275	1.08	4	118	2.83	4	91.1	3.26	
6 ft (1.83 m)	6	122	1.61	6	52.3	4.25	6	40.5	4.90	
8 ft (2.44 m)	8	68.7	2.15	8	29.4	5.67	8	22.8	6.53	
10 ft (3.05 m)	10	44.0	2.69	10	18.8	7.08	10	14.6	8.16	
12 ft (3.66 m)	12	30.5	3.23	12	13.1	8.50	12	10.1	9.79	
14 ft (4.27 m)	14	22.4	3.76	14	9.61	9.92	14	7.43	11.4	
16 ft (4.88 m)	16	17.2	4.30	16	7.36	11.3	16	5.69	13.1	

TRIM / LENS OPTION EFFICIENCY				
No Lens	Solite™ Lens	Frosted Lens	Wall Wash Lens*	Pinhole Trim
100%	96%	87%	62%	75%

\* Wall Wash standard with frosted lens.

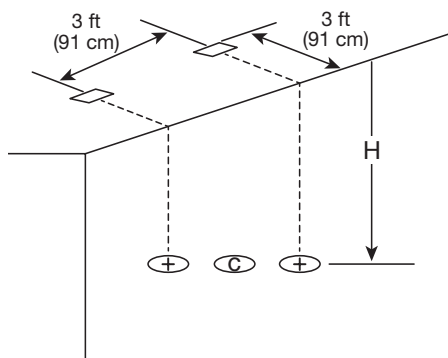


**PHOTOMETRIC DATA - ADJUSTABLE**

		97 CRI / R9 = 95								
LED TYPE		Narrow Spot			Standard			High Output		
BEAM ANGLE		15°			40°			60°		
MODEL NUMBER		FAT3RNNS30153UXXXX-RTA00MWXXXX			FAT3RNXX2740F1XXXX-RTA00MWXXXX			FAT3RNHO35603UXXXX-RTA00MWXXXX		
LIGHT OUTPUT (lm)		584			879.8			1022		
WATTAGE (W)		15.82			16.32			17.33		
EFFICACY (lm/W)		36.9			53.9			59.0		
COLOR ACCURACY CRI		96.5			97.4			97.0		
COLOR TEMPERATURE		3000 K			2700 K			3500 K		
CANDELA PLOT (NADIR)										
MULTIPLE UNITS		FOOTCANDLES (fc) ON WALL (FIGURE A)								
H = DISTANCE FROM CEILING		+	C	+	+	C	+	+	C	+
1 ft (0.31 m)		1	1	1	1	1	1	1	1	1
2 ft (0.61 m)		5	3	5	22	9	21	2	2	2
3 ft (0.91 m)		49	17	48	67	48	66	15	10	14
4 ft (1.22 m)		86	30	83	57	63	56	30	30	29
5 ft (1.52 m)		47	21	46	38	45	39	30	34	30
6 ft (1.83 m)		14	11	15	25	29	25	23	27	24
8 ft (2.44 m)		4	4	4	10	11	10	13	15	13
10 ft (3.05 m)		2	2	2	4	4	4	8	8	8
12 ft (3.66 m)		1	1	1	2	2	2	5	5	5
14 ft (4.27 m)		1	1	1	1	1	1	4	4	4

Note: All adjustable luminaires were tested at the maximum 40° tilt angle.

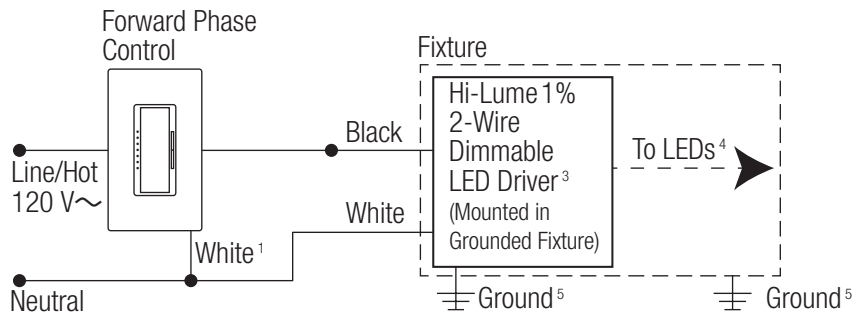
**FIGURE A - MULTIPLE UNITS DIAGRAM**



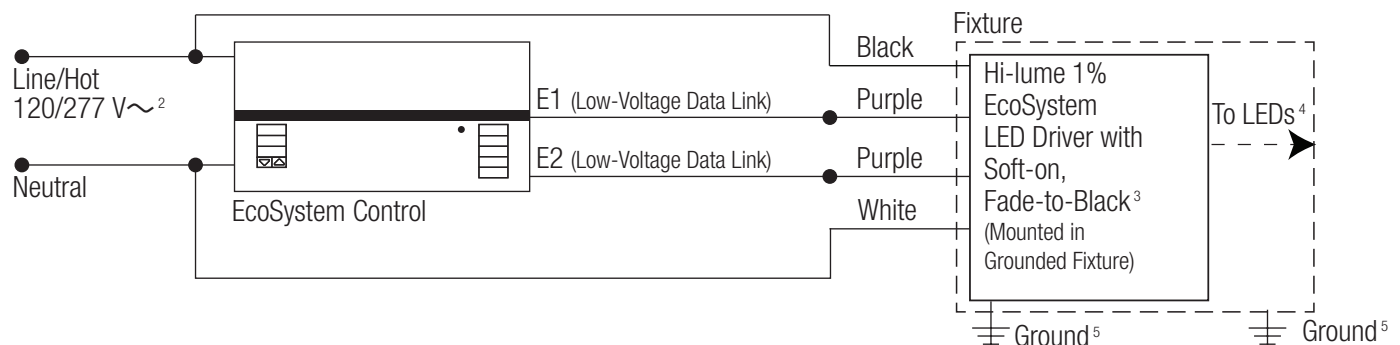


**CIRCUIT DIAGRAMS**

**F1: 2-WIRE FORWARD PHASE CONTROL WITH NEUTRAL (120 V~ ONLY)**



**EU: EcoSystem DIGITAL CONTROL (120/277 V~)**



<sup>1</sup> Neutral may be optional for certain control types. See product specification submittal for specific wiring diagrams.

<sup>2</sup> Refer to the specific Lutron control specifications for exact input voltage rating of the product.

<sup>3</sup> 40 W maximum rated drivers.

<sup>4</sup> LED connectors are specific to LED/ module type. Follow product guidelines on housing label for compatibility.

<sup>5</sup> Ensure that both ground wires are connected in the junction box.

- Contact Fixture Customer Service for custom options at [fixtures@lutron.com](mailto:fixtures@lutron.com)
- For a list of compatible controls and control ratings, visit [www.lutron.com/finire](http://www.lutron.com/finire) or contact the LED Control Center of Excellence at 1.877.DIM.LED8 or [leds@lutron.com](mailto:leds@lutron.com)



Lutron, Lutron, EcoSystem, Finiré, Hi-lume, IVALO, and IVALO Lighting are trademarks of Lutron Electronics Co., Inc., registered in the U.S. and other countries. Lutron Ivalo Collection and Soft-on, Fade-to-Black are trademarks of Lutron Electronics Co., Inc.

Xicato is a registered trademark of Xicato Inc., San Jose, CA

SOLITE is a trademark of Solite Innovations LLC.

ENERGY STAR and the ENERGY STAR mark are registered trademarks owned by the U.S. Environmental Protection Agency.

©2015-2019 Lutron Electronics Co., Inc.

Lutron Electronics Co., Inc.

7200 Suter Road, Coopersburg, PA 18036

Telephone 610.282.7472 Fax 610.282.7600

[fixtures@lutron.com](mailto:fixtures@lutron.com)

For limited 10-year warranty details, see

[www.lutron.com/TechnicalDocumentLibrary/3683454.pdf](http://www.lutron.com/TechnicalDocumentLibrary/3683454.pdf)

Specification subject to change without notice