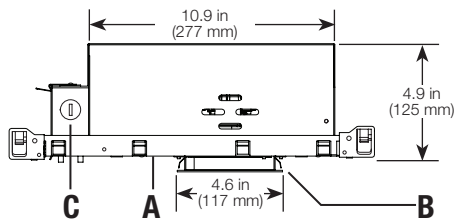


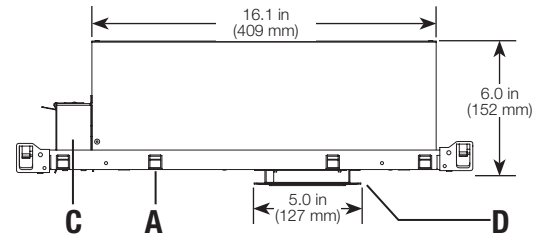


DIMENSIONS

SIDE VIEW (Non-IC Trimmed)

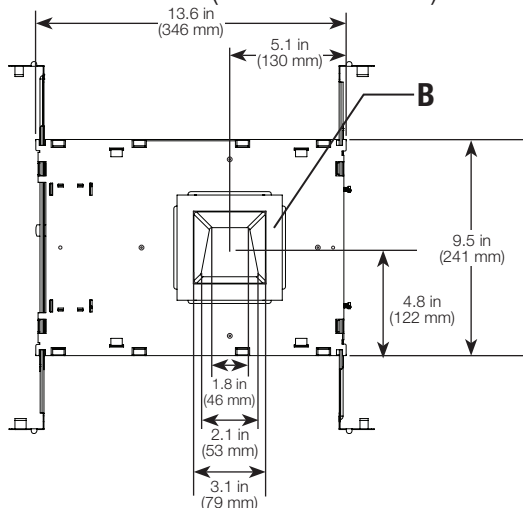


SIDE VIEW (IC Trimless)

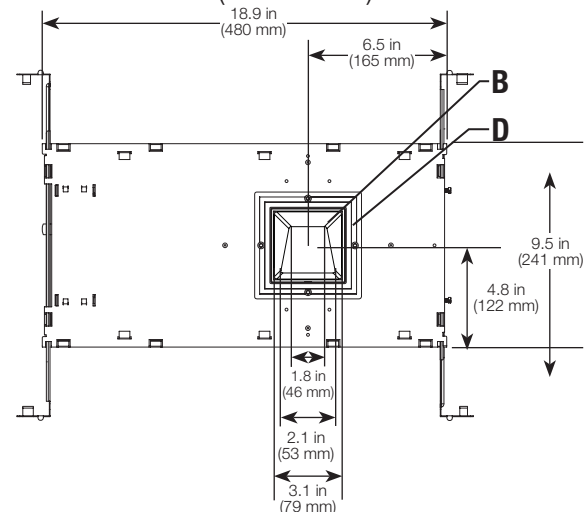


A Frame
B Trim
C Junction Box
D Mud Ring¹
Lutron Hi-lume 1% LED Driver not shown

BOTTOM VIEW (Non-IC Trimmed)



BOTTOM VIEW (IC Trimless)



PRINCIPAL FEATURES

- Xicato® LEDs: 97 CRI, R9=95 (typical).
- Up to 1100 lm (delivered) for IC and 1750 lm (delivered) for Non-IC fixtures.
- IC fixtures are rated for spray foam applications.²
- Industry best fixture to fixture consistency, 1 x 2 step MacAdam Ellipses.
- Standard Lutron LED Driver delivers continuous, flicker-free dimming from 100% down to 1% of measured light output.
- Hi-lume 1% EcoSystem LED Driver features Soft-on, Fade-to-Black technology.³
- 50,000 hours rated LED system life (LED and driver).
- IC fixtures must be used for installations containing insulating materials. Non-IC fixtures cannot be used in this type of application.
- Adjustable fixtures have toolless, adjustable mechanism with locking features (0° to 40° tilt in 5° increments and 362° rotation).
- Infinite adjustable fixtures have adjustable mechanism with locking features (0° to 40° in any increment and 362° rotation) and comes with tool that allows for hot aiming.
- Housings finished with black powder coat.
- Frame constructed of 20 gauge steel.

- 15° narrow spot available. 28°, 40°, and 60° reflectors are field replaceable for standard and high-output fixtures.
- Variety of trim options including wood and stone trimless.⁴
- Chicago plenum option available.
- Wet location trim option available for wet location and covered ceiling applications (e.g., showers, enclosed/covered porches)⁵.
- UL® and cUL® listed.
- Supplied with standard 14 in to 24 in (356 mm to 610 mm) adjustable bar hangers. Optional 9.5 in to 15 in (241 mm to 381 mm) bar hangers available.
- Field replaceable components (Driver, Trim, and LED).
- 2-Wire forward phase controls are generally for residential applications. EcoSystem controls are generally for commercial applications.
- IC fixtures meet airtight construction requirements for 2.0 CFM or less air leakage.
- 10-year fixture and dimming warranty. 5-year LED color shift warranty.
- Adjustable fixtures accommodate ceilings up to 40° slope (10/12 roof pitch).⁴

SPECIFICATIONS

Operating Temperature: 32 °F to 104 °F (0 °C to 40 °C)²

Decibel Rating: Quiet in a 25 dB room

Max Ceiling Thickness: 2.0 in (51 mm)

Mud Ring Thickness¹: 0.093 in (2.4 mm)

Ceiling Cutout: 4.1 in x 4.1 in (104 mm x 104 mm)

Fixture Weight: 7.2 lb (3.3 kg) Non-IC, 8.9 lb (4.1 kg) IC.

Fixture Size:

- IC: 18.9 in x 9.5 in x 6.0 in (480 mm x 241 mm x 152 mm)

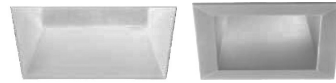
- Non-IC: 13.6 in x 9.5 in x 4.9 in (345 mm x 241 mm x 125 mm)

Junction Box Size: 5.6 in x 3.0 in x 1.6 in (143 mm x 76 mm x 41 mm). See NEC chart 314.16A for box fill/wiring capacity.

COMPATIBLE CONTROLS

Visit www.lutron.com/finire

¹ Mud ring is for trimless fixtures only.
² Rated for direct application of spray foam with less than R-21 insulative value or 3 in (76.2 mm) of closed cell spray foam. 95 °F (35 °C) maximum operating temperature.
³ PWM dimming below 5% for Hi-lume 1% EcoSystem H-Series drivers.
⁴ For additional details please see Lutron Application Note #564 at www.lutron.com
⁵ Refer to **SPECIFICATIONS** and fixture installation guide for allowable product operating conditions.



ORDERING GUIDES

BASE UNIT CONFIGURATION

Select appropriate code in each column to complete model number.

Example:

FAT3SI XX 35 40 F1 XX XX - STA00 MW SO XX

SERIES	LED Type	TEMP	BEAM	CONTROL	HANGING	CEILING	TRIM	FINISH	LENS	OPTIONS
FAT3SI Finire 3 in Trimmed IC Square Adjustable	XX Standard 17 W, 850 lm, 97 CRI ¹	27 2700 K	15 15° beam spread (NS LED Type only) ³	F1 2-Wire 120 V~	XX Standard Joist Hangers 14 in to 24 in (356 mm to 610 mm)	XX Standard 1/2 in to 5/8 in (13 mm to 16 mm)	STA00 Square Trimmed Adjustable	MW Matte White	XX None	XX None
FAT3SN Finire 3 in Trimmed Non-IC Square Adjustable	NS Narrow Spot 17 W, 650 lm, 97 CRI (15° beam only) ¹	30 3000 K	28 28° beam spread ³	EU EcoSystem 120/277 V~ ⁴	NJ Narrow Joist Hangers 9.5 in to 15 in (241 mm to 381 mm)	TT Trimless Thick Ceiling >5/8 in to <2 in (>16 mm to <51 mm) ⁵	SZA00 Square Trimless Adjustable	BL Matte Black	FG Frosted Glass ¹²	TC Thick Ceiling (Contact Factory) ¹⁴
FAZ3SI Finire 3 in Trimless IC Square Adjustable	HO High Output 17 W, 1100 lm, 97 CRI ¹	35 3500 K	40 40° beam spread ³			TW Trimless Wood/Stone Ceiling (Contact Factory) ^{6,7}	STD00 Square Trimmed Downlight ⁹	SI Silver ¹⁰	SO Solite™ Glass ¹²	
FAZ3SN Finire 3 in Trimless Non-IC Square Adjustable	HP High Plus 29 W, 1750 lm, 97 CRI ^{1,2}		60 60° beam spread ³			PL Plenum Rated ⁸	SZD00 Square Trimless Downlight ⁹	RB Bronze ¹⁰	WW Wall Wash ^{12,13}	
FIT3SI Finire 3 in Trimmed IC Square Infinite Adjustable								CA Clear Anodized/White ¹¹		
FIT3SN Finire 3 in Trimmed Non-IC Square infinite Adjustable								CC Clear Chrome/White ¹¹		
FIZ3SI Finire 3 in Trimless IC Square Infinite Adjustable								SW Silver/White ^{10,11}		
FIZ3SN Finire 3 in Trimless Non-IC Square Infinite Adjustable								BC Black Chrome/White ^{10,11}		

- ¹ All wattage, lumen, and CRI values are typical values, tested with Matte White trims. For exact values reference the photometric data on page 3 or contact Fixture Customer Service.
- ² Available in Non-IC fixture type only.
- ³ For field replacement details, contact Lutron customer service.
- ⁴ Hi-lume 1% EcoSystem LED driver with Soft-on, Fade-to-Black.
- ⁵ For ceiling thicknesses greater than 5/8 in (16 mm) but less than 2 in (51 mm). Exact ceiling thickness must be given to fixtures@lutron.com
- ⁶ For wood/stone trimless options, use trimless housing and standard trimless trim. For additional details please see Lutron Application Note #564 at www.lutron.com
- ⁷ Custom options available for wood/stone ceilings greater than 1.5 in (38 mm).
- ⁸ See IC dimensions for plenum rated fixtures.
- ⁹ Downlight trim can be used with adjustable fixtures. Tilt is limited to 20°.
- ¹⁰ Painted finish
- ¹¹ Clear Chrome, Silver/White, and Clear Anodized trims come with a matte white flange standard for trimmed options.
- ¹² All Frosted, Solite™, and Wall Wash lens options are wet location rated.
- ¹³ Only for use with adjustable trims. Recommended with 40° beam spread at 40° tilt angle.
- ¹⁴ For ceiling thickness greater than 5/8 in (16 mm) but less than 2 in (51 mm). For additional details please see Lutron Application Note #564 at www.lutron.com

NOTES:

Housing and trim assemblies can be purchased or shipped separately.

Additional options available:

- Trim flange color combinations
- Hi-lume 1% EcoSystem LED driver
- Trimless wood/stone > 1.5 in (38 mm) thick
- Ceiling > 2 in (51mm) thick
- 4000 K CCT
- Custom options

For more information please contact Fixture Customer Service at fixtures@lutron.com or 610.282.7472.

For ENERGY STAR® and Title 24 compliant model numbers or for more information, please contact Fixture Customer Service at fixtures@lutron.com or 610.282.7472.



PHOTOMETRIC DATA - DOWNLIGHT

		97 CRI / R9 = 95								
LED TYPE	Narrow Spot			Standard			High Output			
BEAM ANGLE	15°			40°			60°			
MODEL NUMBER	FDT3SNNS30153UXXX-STD00MWXXX			FDT3SNXX2740F1XXX-STD00MWXXX			FDT3SNH035603UXXX-STD00MWXXX			
LIGHT OUTPUT (lm)	668			970			1164			
WATTAGE (W)	15.82			16.32			17.43			
EFFICACY (lm/W)	42.2			59.4			66.8			
COLOR ACCURACY CRI	96.4			97.4			97.0			
COLOR TEMPERATURE	3000 K			2700 K			3500 K			
CANDELA PLOT (NADIR)										
MULTIPLE UNITS	CONE OF LUMINANCE			CONE OF LUMINANCE			CONE OF LUMINANCE			
H = DISTANCE FROM CEILING	Height (ft)	Nadir (fc)	50% Lighted Diameter (ft)	Height (ft)	Nadir (fc)	50% Lighted Diameter (ft)	Height (ft)	Nadir (fc)	50% Lighted Diameter (ft)	
4 ft (1.22 m)	4	273	1.08	4	118	2.84	4	92.3	3.26	
6 ft (1.83 m)	6	121	1.62	6	52.6	4.26	6	41.0	4.89	
8 ft (2.44 m)	8	68.2	2.16	8	29.6	5.68	8	23.1	6.52	
10 ft (3.05 m)	10	43.7	2.70	10	18.9	7.10	10	14.8	8.15	
12 ft (3.66 m)	12	30.3	3.24	12	13.1	9.95	12	10.3	9.78	
14 ft (4.27 m)	14	22.3	3.78	14	9.65	9.95	14	7.53	11.4	
16 ft (4.88 m)	16	17.1	4.32	16	7.39	11.4	16	5.77	13.0	

TRIM / LENS OPTION EFFICIENCY				
No Lens	Solite™ Lens	Frosted Lens	Wall Wash Lens*	Pinhole Trim
100%	96%	87%	62%	75%

* Wall Wash standard with frosted lens.

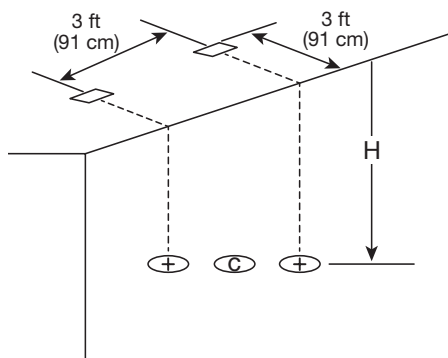


PHOTOMETRIC DATA - ADJUSTABLE

		97 CRI / R9 = 95								
LED TYPE		Narrow Spot			Standard			High Output		
BEAM ANGLE		15°			40°			60°		
MODEL NUMBER		FAT3SNNS30153UXXXX-STA00MWXXXX			FAT3SNXX2740F1XXXX-STA00MWXXXX			FAT3SNH035603UXXXX-STA00MWXXXX		
LIGHT OUTPUT (lm)		581			894			1031		
WATTAGE (W)		15.80			16.33			17.44		
EFFICACY (lm/W)		36.8			54.7			59.1		
COLOR ACCURACY CRI		96.4			97.4			97.0		
COLOR TEMPERATURE		3000 K			2700 K			3500 K		
CANDELA PLOT (NADIR)										
MULTIPLE UNITS		FOOTCANDLES (fc) ON WALL (FIGURE A)								
H = DISTANCE FROM CEILING		+	C	+	+	C	+	+	C	+
1 ft (0.31 m)		1	1	1	1	1	1	2	2	2
2 ft (0.61 m)		2	2	2	23	11	22	15	13	15
3 ft (0.91 m)		19	13	19	63	51	63	48	48	48
4 ft (1.22 m)		63	25	61	55	61	55	47	52	47
5 ft (1.52 m)		61	25	59	37	45	38	33	38	33
6 ft (1.83 m)		30	17	30	24	28	24	22	25	23
8 ft (2.44 m)		5	5	5	9	10	9	10	11	10
10 ft (3.05 m)		2	2	2	4	4	4	5	6	6
12 ft (3.66 m)		1	2	1	2	2	2	3	4	3
14 ft (4.27 m)		1	1	1	1	1	1	2	2	2

Note: All adjustable luminaires were tested at the maximum 40° tilt angle.

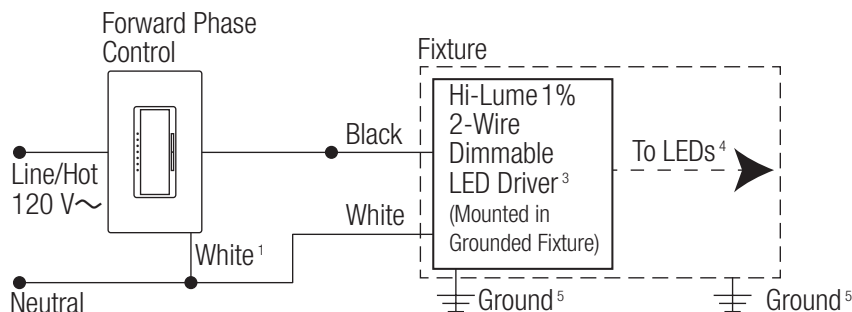
FIGURE A - MULTIPLE UNITS DIAGRAM



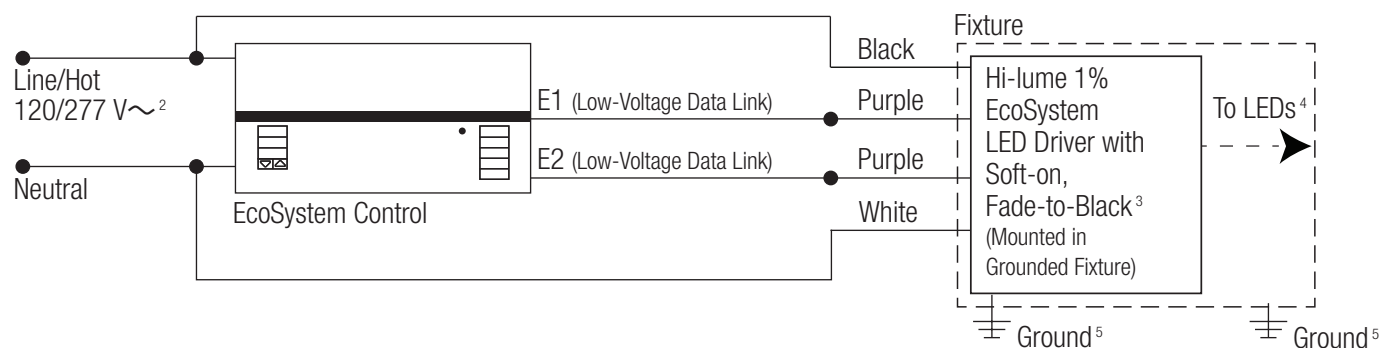


CIRCUIT DIAGRAMS

F1: 2-WIRE FORWARD PHASE CONTROL WITH NEUTRAL (120 V~ ONLY)



EU: EcoSystem DIGITAL CONTROL (120/277 V~)



¹ Neutral may be optional for certain control types. See product specification submittal for specific wiring diagrams.
² Refer to the specific Lutron control specifications for exact input voltage rating of the product.
³ 40 W maximum rated drivers.
⁴ LED connectors are specific to LED/module type. Follow product guidelines on housing label for compatibility.
⁵ Ensure that both ground wires are connected in the junction box.

- Contact Fixture Customer Service for custom options at fixtures@lutron.com
- For a list of compatible controls and control ratings, visit www.lutron.com/finire or contact the LED Control Center of Excellence at 1.877.DIM.LED8 or leds@lutron.com



Lutron, Lutron, EcoSystem, Finiré, Hi-lume, IVALO, and IVALO Lighting are trademarks of Lutron Electronics Co., Inc., registered in the U.S. and other countries. Lutron Ivalo Collection and Soft-on, Fade-to-Black are trademarks of Lutron Electronics Co., Inc.

Xicato is a registered trademark of Xicato Inc., San Jose, CA

SOLITE is a trademark of Solite Innovations LLC.

ENERGY STAR and the ENERGY STAR mark are registered trademarks owned by the U.S. Environmental Protection Agency.

©2015-2019 Lutron Electronics Co., Inc.

Lutron Electronics Co., Inc.
 7200 Suter Road, Coopersburg, PA 18036
 Telephone 610.282.7472 Fax 610.282.7600
fixtures@lutron.com

For limited 10-year warranty details, see www.lutron.com/TechnicalDocumentLibrary/3683454.pdf

Specification subject to change without notice