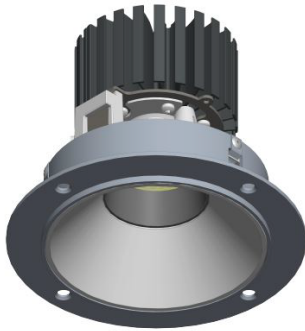
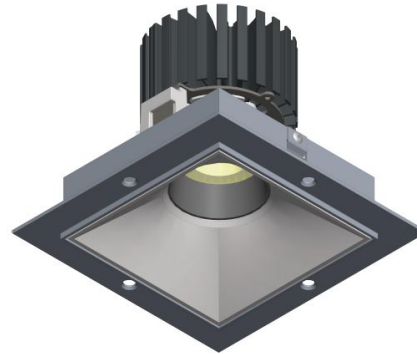


## LUMINAIRE IMAGES

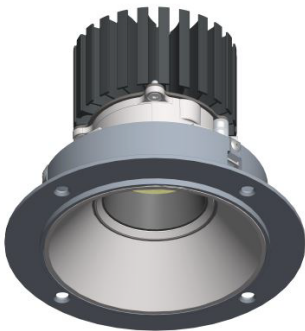
ROUND FIXED



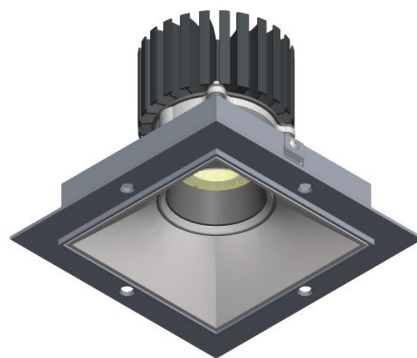
SQUARE FIXED



ROUND TILT



SQUARE TILT



**Note:** Shown installed in a plaster ring. Fiber mesh ring not shown.

### PRINCIPAL LUMINAIRE FEATURES

- LED luminaire, 93 CRI, 800 lumens typical
- 2 step MacAdam Ellipses color consistency.
- Standard Lutron LED Driver delivers continuous, flicker-free dimming from 100% down to 1% of measured light output.
- 50 000 hours rated LED system life (LED and driver).
- Standard white anti-glare baffle. Black baffle optional.
- 2 700, 3 000 and 3 500 K CCT
- 12°, 26°, 51° and Wall Wash available.
- Fixed and Tilt configurations available (25° maximum tilt, 360° rotation).
- CE Compliant
- IP20 standard with IP65\* options available.
- Fixture includes plaster ring and fiber mesh ring.
- Field replaceable components (driver and luminaire).
- Includes EcoSystem and DALI 1.0 compatible LED driver.
- Not designed for contact with insulation.
- Fire rated accessory available (sold separately).
- 60 lm/W (typical with white baffle) meets Part L Building Regulations for commercial and residential applications.
- Meets or exceeds Energy Efficiency Index (EEI) for Ecodesign directive within the current European Union Regulation.\*\*
- Ten (10) years or 50 000 hours luminaire and dimming warranty.

### LUMINAIRE SPECIFICATIONS

**Operating Temperature:** 0 °C to 40 °C

**Decibel Rating:** Quiet in a 24 dB room

**Minimum Ceiling Void Depth:** 120 mm

**Ceiling Cutout:** 102 mm

**Shipping Weight:** 1.4 kg (luminaire and driver)

### COMPATIBLE CONTROLS

Visit [www.lutron.com/cefinire](http://www.lutron.com/cefinire) or see Lutron Application Note #607 (P/N 048607 at [www.lutron.com](http://www.lutron.com))

\*IP65 rated for bezel side of luminaire only.

\*\*EU Regulation 1194/2012, phase 3; Ecodesign directive 2009/125/EC.

### ORDERING GUIDES

#### BASE UNIT CONFIGURATION

Select appropriate code in each column to complete model number. LED driver included.

Example:

FRF9      X      Z      27      12      WH      EU      XX

SERIES	OUTPUT	TRIM TYPE	CCT*	BEAM	FINISH	CONTROL	OPTIONS
<b>FRF9</b> Finiré Round Fixed 95 mm Downlight	<b>X</b> Standard 12 W, 800 lm, 93 CRI*	<b>Z</b> Trimless	<b>27</b> 2 700 K	<b>12</b> 12°	<b>WH</b> White	<b>EU</b> Lutron EcoSystem and DALI	<b>XX</b> None
<b>FRT9</b> Finiré Round Tilt 95 mm Downlight			<b>30</b> 3 000 K	<b>26</b> 26°			<b>WB</b> White with Black Baffle
<b>FSF9</b> Finiré Square Fixed 95 mm Downlight			<b>35</b> 3 500 K	<b>51</b> 51°			
<b>FST9</b> Finiré Square Tilt 95 mm Downlight				<b>WW</b> Wall Wash†			

\*All wattage, lumen, CCT, and CRI values are typical values, tested with white baffles. For exact values, reference the photometric data on page 4 or contact Lutron Customer Service.

\*\*IP65 only available in fixed series. IP20 standard for all series. IP65 rated for bezel side of the luminaire only.

†Only available for tilt luminaires (FRT9 and FST9), and only with white baffles (WH).

#### ACCESSORY

Fire hood

Model Number: FINIRE9-FH

See the **Finire Firehood Installation Guide** (P/N 041576 at [www.lutron.com](http://www.lutron.com))f

#### NOTES:

Additional options available:

- Black, gold, and silver finishes
- Custom options and other finishes
- Linear spread lens for fixed options (20° x 60° optic)

For more information, please contact Fixture Customer Service at +44(0)207.702.0657 or [eacustsvc@lutron.com](mailto:eacustsvc@lutron.com)

## LED DRIVER SPECIFICATIONS

**Dimming Range:** 100% to 1%

**Dimming Method:** Constant-current reduction. Refer to Lutron Application Note #360 (P/N 048360 at [www.lutron.com](http://www.lutron.com)) for details.

**Operating Voltage:** 220–240 V $\sim$  at 50/60 Hz

**Lifetime:** 50 000 hours at 40 °C ambient

**Thermal Protection:** Thermal foldback protection.

**Dimmed Level:** LED lighting turns on to any dimmed level without flashing to full brightness.

**Non-volatile Memory:** Restores all driver settings after power failure.

**Power Factor:**  $\lambda > 0.88$  at 9 W maximum power

**Typical Standby Power Consumption:** 0.5 W

**Harmonics:** Meets Harmonics requirements for IEC-61000-3-2.

**Open Circuit:** Output open circuit protected.

**Short Circuit:** Output short circuit and overload protected.

**Turn-on time:** < 100 ms typical from electronic off.

**Sound Rated:** Inaudible in 24 dB ambient

**Relative Humidity:** Maximum 90% non-condensing

**Maximum Case Temperature:**  $t_c = 75$  °C at 12 W

**Maximum Number of Drivers on Miniature Circuit Breaker:**

– 16 A Type B: 20 drivers

– 16 A Type C: 34 drivers

## REGULATORY APPROVALS

- CE compliant and ENEC certified
  - Safety: IEC/EN 61347-2-13
  - Emissions: CISPR15/EN55015, IEC 61000-3-2, 3-3
  - Immunity: IEC/EN 61547, IEC/EN 61000-4-2, -4-3, -4-4, -4-6, -4-11
  - Performance: IEC/EN 62384
- RoHS 2006 Compliant
- IEC 60529, IP20 Rating
- DALI 1.0 Compatible
- Compliant with IEC62386-207
- Lutron Quality Systems registered to ISO 9001
- Manufacturing facilities employ ESD reduction practices that comply with the requirements of ANSI/ESD S20.20.

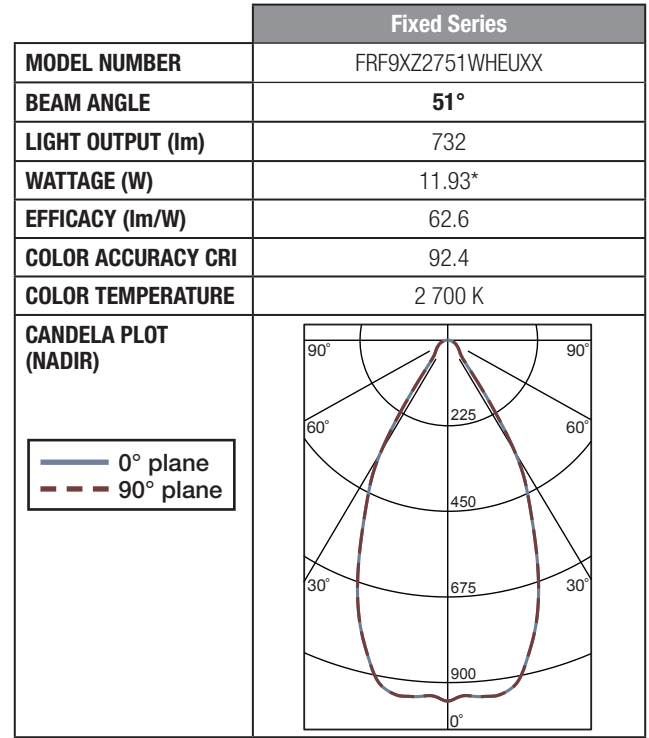
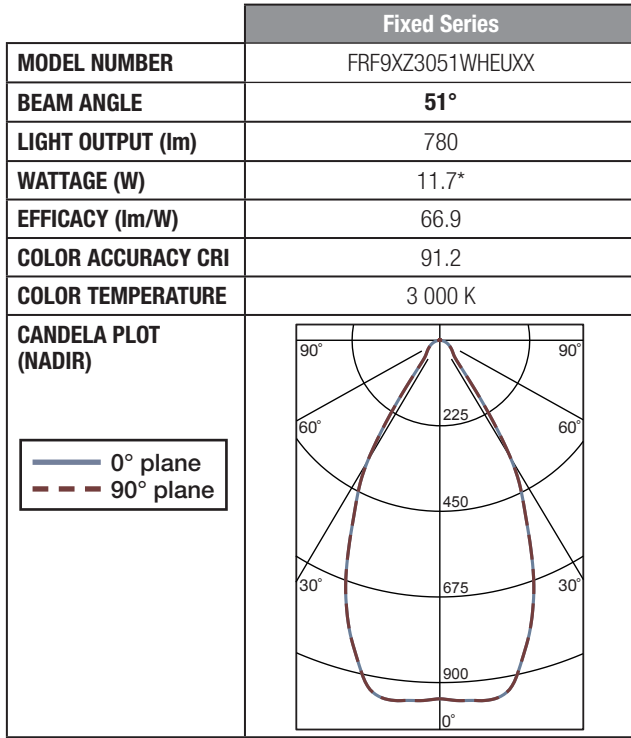
## INSTALLATION DETAILS

- Drivers must be installed per national and local electrical codes.
- Provide adequate space to ensure convective cooling of LED driver.
- Remove any insulation or heat generating equipment or obstruction within 150 mm of the LED driver.

**Note:** Lead lengths from driver to LED light engine must not exceed 15 m.

**Note:** Ground/earth termination not provided. Terminate ground/earth in compliance with local electric codes

### PHOTOMETRIC DATA - DOWNLIGHT



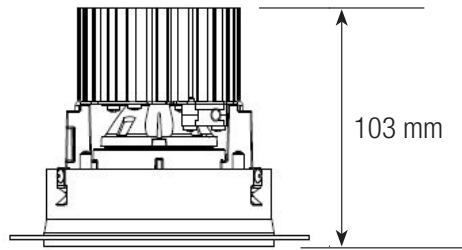
H = DISTANCE FROM CEILING (m)	CONE OF LUMINANCE	
	Nadir (lux)	50% Lighted Diameter (m)
1.22	634	1.03
1.83	282	1.54
2.44	158	2.05
3.05	101	2.57
3.66	71	3.08
4.27	52	3.60
4.88	40	4.11

H = DISTANCE FROM CEILING (m)	CONE OF LUMINANCE	
	Nadir (lux)	50% Lighted Diameter (m)
1.22	631	0.99
1.83	280	1.49
2.44	157	1.98
3.05	101	2.48
3.66	70	2.97
4.27	51	3.47
4.88	39	3.96

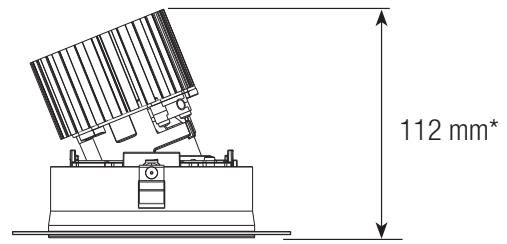
\* Total system power including LED driver.

**LUMINAIRE DIMENSIONS**

ROUND FIXED: Side View

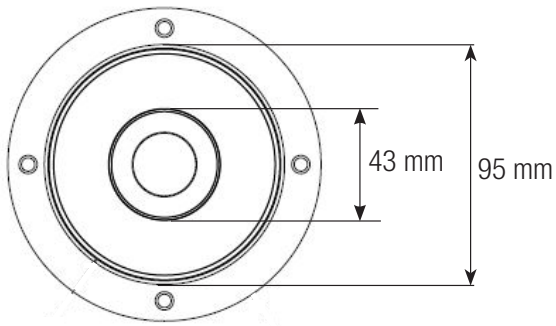


SQUARE TILT: Side View

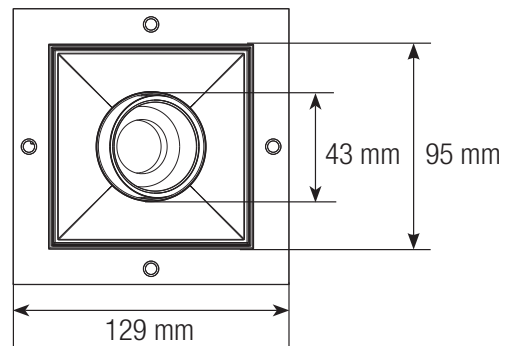


\*103 mm when in down/nadir position

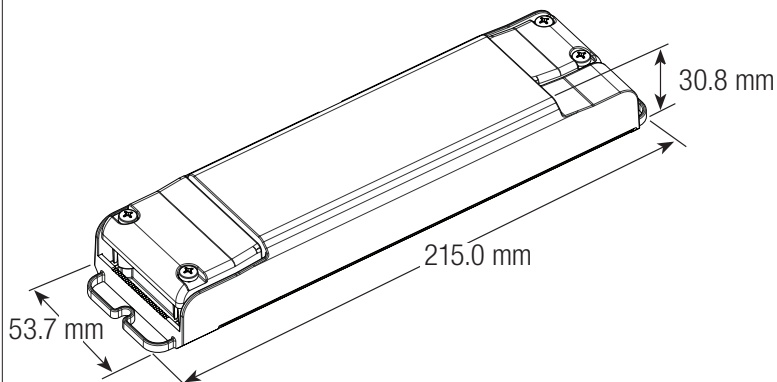
ROUND FIXED: Bottom View



SQUARE TILT: Bottom View

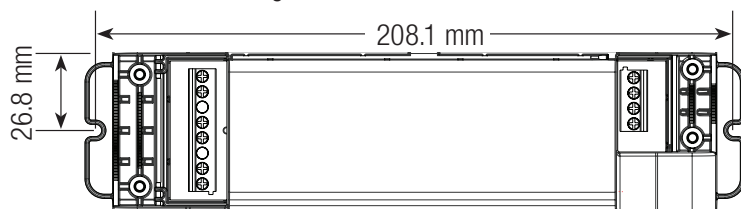


**LED DRIVER DIMENSIONS**



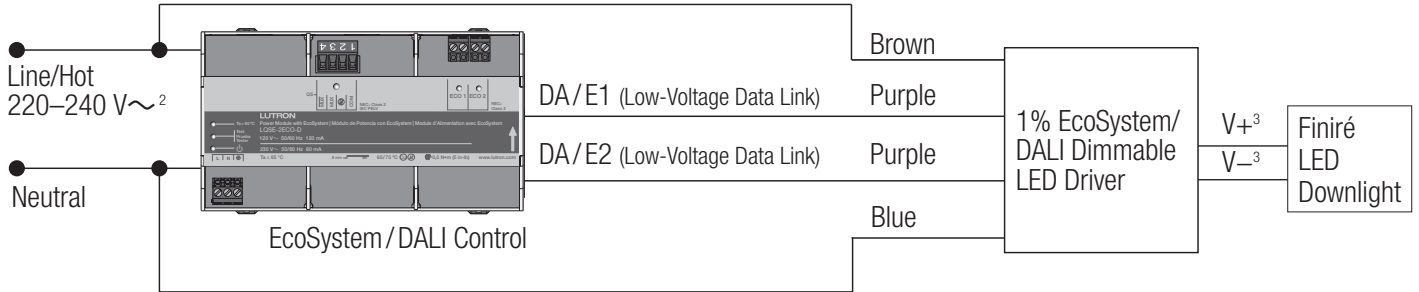
**MOUNTING CENTERS**

Recommended mounting screw: M3.5



**CIRCUIT DIAGRAMS**

EU: EcoSystem / DALI DIGITAL CONTROL (220–240 V~)<sup>1</sup>



<sup>1</sup> See product specification submittal for specific wiring diagrams.

<sup>2</sup> Refer to the specific Lutron control specifications for exact input voltage rating of the product.

<sup>3</sup> Class III fitting provided with low-voltage wires attached. If additional wire length is required, maximum lamp-to-driver wire length is 15 m using 0.50 to 1.50 mm<sup>2</sup> (20 to 16 AWG) wire.

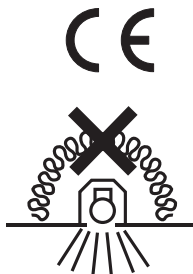
- Contact Fixture Customer Service for custom options at +44(0)207.702.0657 or eacustsvc@lutron.com
- For a list of compatible controls and control ratings, visit [www.lutron.com/cefinire](http://www.lutron.com/cefinire) or see Lutron Application Note #607 (P/N 048607 at [www.lutron.com](http://www.lutron.com))



Lutron, Lutron, EcoSystem, and Finiré are trademarks of Lutron Electronics Co., Inc., registered in the U.S. and other countries. Lutron Ivalo Collection is a trademark of Lutron Electronics Co., Inc.

DALI is a trademark of ZVEI.

©2017-2018 Lutron Electronics Co., Inc.



Lutron Electronics Co., Inc.  
 7200 Suter Road, Coopersburg, PA 18036  
 Telephone: +44(0)207.702.0657  
 eacustsvc@lutron.com

For limited 10-year warranty details, see [www.lutron.com/TechnicalDocumentLibrary/CE\\_Fixtures\\_Warranty.pdf](http://www.lutron.com/TechnicalDocumentLibrary/CE_Fixtures_Warranty.pdf)  
 Specification subject to change without notice