

TRIM/LED MODULE IMAGES^{1,2}

ROUND

Downlight Position



Adjustable Position²



SQUARE

Downlight Position



Adjustable Position²



PRINCIPAL FEATURES

- LED luminaire, 90+ CRI, 1000 lumens maximum for IC and Non-IC, 850 lumens typical for Shallow IC.
- 2 step MacAdam Ellipse color consistency.
- Standard Lutron LED Driver delivers continuous, flicker-free dimming from 100% down to 1% of measured light output.
- Hi-lume 1% EcoSystem LED driver features Soft-on, Fade-to-Black technology.³
- Title 24 and Energy Star compliant.
- 5 year fixture, LED driver, and dimming warranty.
- 2-wire and EcoSystem control options.
- 2700 and 3000 K CCT.
- 30° and 65° optics available.
- Includes high efficiency frosted lens.
- IC and non-IC fixture options available.
- IC fixtures are rated for spray foam applications.⁴
- IC fixtures must be used in installations containing insulating materials. Non-IC fixtures cannot be used in these types of applications.
- IC fixtures meet airtight construction requirements for 2.0 CFM or less air leakage.
- Frame constructed using galvanized steel.
- Luminaires offer 25° maximum tilt.
- Fixture rotation is achieved through rotating entire trim/LED module. Round offers 360° rotation and square offers rotation in 90° increments.
- Supplied with standard 14–24 in (356–610 mm) adjustable bar hangers.
- Luminaires accommodate up to 0.625 in (16 mm) ceiling thickness. Thick ceiling accessory available for up to 1.5 in (38 mm) ceiling thickness.
- Field replaceable components [driver and light assembly (trim, reflector, and LED module)].
- Wet location trim available.²

SPECIFICATIONS

Ambient Operating Temperature: 32–104 °F (0–40 °C)

Decibel Rating: Quiet in a 25 dB room

Maximum Ceiling Thickness: 0.625 in (16 mm)

Ceiling Cutout: ø 4.5 in (114 mm)

Fixture Weight: 8 lb (3.6 kg) IC 4.5 lb (2 kg) Non-IC

Fixture Size:

– IC: 18.9 in x 9.5 in x 6.0 in (480 mm x 241 mm x 152 mm)

– Non-IC: 10.5 in x 7.7 in x 3.5 in (267 mm x 196 mm x 89 mm)

– Shallow IC: 18.9 in x 9.5 in x 3.9 in (480 mm x 241 mm x 99 mm)

Junction Box Size: 5.6 in x 3.0 in x 1.6 in (142 mm x 76 mm x 41 mm). See NEC chart 314.16A for box fill/wiring capacity.

Note: Dimensions subject to tolerance. See **Dimensions** section.

COMPATIBLE CONTROLS

Visit www.lutron.com/finire

¹ Housing required. See model numbers on page 2 and dimensions on page 6.

² Wet location trim only available in Downlight (not adjustable).

³ PWM dimming below 5% for Hi-lume 1% EcoSystem drivers.

⁴ Rated for direct application of spray foam with less than R-21 insulative value or 3 in (76 mm) of closed cell spray foam. 95 °F (35 °C) maximum operating temperature.

ORDERING GUIDES

Trim and housing are ordered separately and both are required to complete the fixture.

Select appropriate code in each column to complete model numbers.

Product will be shipped in bulk packaging for 4 or more units.

1. Trim (includes LED module)

Example:

FPAT R 27X 30 MW

| FAMILY | SHAPE | LED | BEAM SPREAD | FINISH |
|---|--------------------|----------------------|------------------|-------------------------------|
| FPAT Finiré Prime, Adjustable, Trimmed | R Round | 27X 2700 K | 30 30° | MW Matte White Trim |
| FPDT Finiré Prime, Wet Location, Downlight, Trimmed | S Square | 30X 3000 K | 65 65° | |

2. Housing (includes LED driver)

Example:

FPH IX EU

| FAMILY | HOUSING TYPE | CONTROL TYPE |
|---------------------------------------|--|------------------------------------|
| FPH Finiré Prime Housing | IX IC 14 W 1000 lumens* | F1 2-wire 120 V~ only |
| | NX Non-IC 14 W 1000 lumens* | |
| | IS Shallow IC 13 W 850 lumens* | |

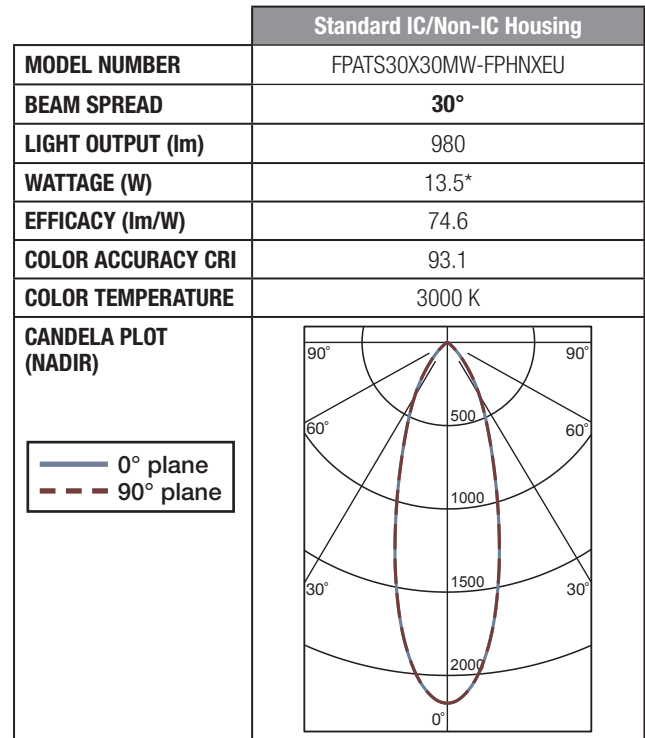
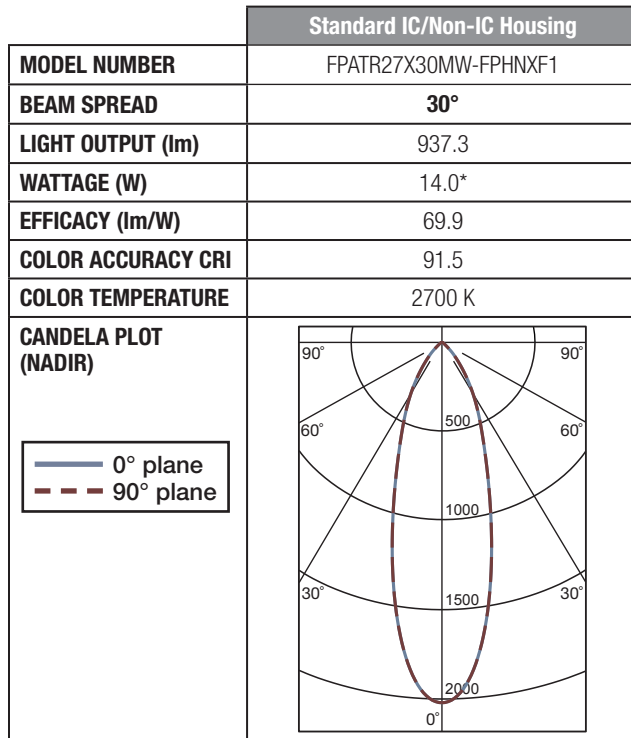
*All wattage, lumen, CCT, and CRI values are typical values. For exact values, reference the photometric data or contact Lutron Customer Service.

Accessory Kits (Optional)

| MODEL NUMBER | DESCRIPTION |
|--------------|--|
| FP-TC075 | Thick ceiling clips (0.625 to 0.75 in), 6 sets |
| FP-TC100 | Thick ceiling clips (0.75 to 1.0 in), 6 sets |
| FP-TC125 | Thick ceiling clips (1.0 to 1.25 in), 6 sets |
| FP-TC150 | Thick ceiling clips (1.25 to 1.5 in), 6 sets |
| FP-OPTIC30 | Optics kit, 6 pcs of 30° reflector and 6 pcs of Wall Wash film |
| FP-OPTIC65 | Optics kit, 6 pcs of 65° reflector and 6 pcs of Wall Wash film |

For more information, please contact Fixture Customer Service at fixtures@lutron.com or 610.282.7472.

PHOTOMETRIC DATA



| H = DISTANCE FROM CEILING ft(m) | CONE OF LUMINANCE | |
|------------------------------------|-------------------|--------------------------------|
| | Nadir (fc) | 50% Lighted Diameter ft (m) |
| 4 (1.22) | 126 | 2.05 (0.62) |
| 6 (1.83) | 56.1 | 3.07 (0.94) |
| 8 (2.44) | 31.6 | 4.09 (1.25) |
| 10 (3.05) | 20.2 | 5.12 (1.56) |
| 12 (3.66) | 14.0 | 6.14 (1.87) |
| 14 (4.27) | 10.3 | 7.16 (2.18) |
| 16 (4.88) | 7.89 | 8.19 (2.50) |

| H = DISTANCE FROM CEILING ft(m) | CONE OF LUMINANCE | |
|------------------------------------|-------------------|--------------------------------|
| | Nadir (fc) | 50% Lighted Diameter ft (m) |
| 4 (1.22) | 135 | 2.09 (0.64) |
| 6 (1.83) | 60.2 | 3.14 (0.96) |
| 8 (2.44) | 33.9 | 4.18 (1.27) |
| 10 (3.05) | 21.7 | 5.23 (1.59) |
| 12 (3.66) | 15.0 | 6.27 (1.91) |
| 14 (4.27) | 11.1 | 7.32 (2.23) |
| 16 (4.88) | 8.46 | 8.36 (2.55) |

* Total system power including LED driver.

PHOTOMETRIC DATA

| Standard IC/Non-IC Housing | |
|-----------------------------|-------------------------------|
| MODEL NUMBER | FPATR27X65MW-FPHNXF1 |
| BEAM ANGLE | 65° |
| LIGHT OUTPUT (lm) | 896.2 |
| WATTAGE (W) | 14.0* |
| EFFICACY (lm/W) | 64.0 |
| COLOR ACCURACY CRI | 91.5 |
| COLOR TEMPERATURE | 2700 K |
| CANDELA PLOT (NADIR) | <p>0° plane 90° plane</p> |

| Shallow IC Housing | |
|-----------------------------|-------------------------------|
| MODEL NUMBER | FPATR27X65MW-FPHISEU |
| BEAM SPREAD | 65° |
| LIGHT OUTPUT (lm) | 849.1 |
| WATTAGE (W) | 11.15* |
| EFFICACY (lm/W) | 76 |
| COLOR ACCURACY CRI | 91.5 |
| COLOR TEMPERATURE | 2700 K |
| CANDELA PLOT (NADIR) | <p>0° plane 90° plane</p> |

| H = DISTANCE FROM CEILING ft (m) | CONE OF LUMINANCE | |
|-------------------------------------|-------------------|-----------------------------|
| | Nadir (fc) | 50% Lighted Diameter ft (m) |
| 4 (1.22) | 66.1 | 3.24 (0.90) |
| 6 (1.83) | 29.4 | 4.86 (1.48) |
| 8 (2.44) | 16.5 | 6.47 (1.97) |
| 10 (3.05) | 10.6 | 8.09 (2.47) |
| 12 (3.66) | 7.34 | 9.71 (2.96) |
| 14 (4.27) | 5.39 | 11.3 (3.44) |
| 16 (4.88) | 4.13 | 12.9 (3.93) |

| H = DISTANCE FROM CEILING ft (m) | CONE OF LUMINANCE | |
|-------------------------------------|-------------------|-----------------------------|
| | Nadir (fc) | 50% Lighted Diameter ft (m) |
| 4 (1.22) | 58.9 | 3.25 (0.99) |
| 6 (1.83) | 26.2 | 4.88 (1.49) |
| 8 (2.44) | 14.7 | 6.50 (1.98) |
| 10 (3.05) | 9.42 | 8.13 (2.48) |
| 12 (3.66) | 6.54 | 9.75 (2.97) |
| 14 (4.27) | 4.81 | 11.4 (3.47) |
| 16 (4.88) | 3.68 | 13.0 (3.96) |

*Total system power including LED driver.

PHOTOMETRIC DATA

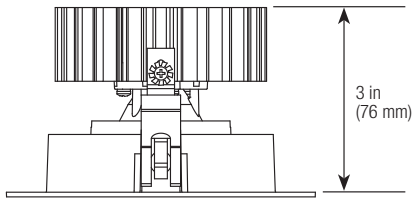
| Standard IC/Non-IC Housing | |
|-----------------------------|------------------------|
| MODEL NUMBER | FP-OPTIC65 (Wall Wash) |
| BEAM ANGLE | 65° |
| LIGHT OUTPUT (lm) | 855.8 |
| WATTAGE (W) | 14.07* |
| EFFICACY (lm/W) | 60.8 |
| COLOR ACCURACY CRI | 91.5 |
| COLOR TEMPERATURE | 2700 K |
| CANDELA PLOT (NADIR) | |

| H = DISTANCE FROM CEILING ft (m) | CONE OF LUMINANCE | |
|-------------------------------------|-------------------|--------------------------------------|
| | Nadir (fc) | 50% Lighted Diameter ft (m) |
| 4 (1.22) | 18.5 | 5.88 (1.79) |
| 6 (1.83) | 8.24 | 8.83 (2.69) |
| 8 (2.44) | 4.64 | 11.8 (3.60) |
| 10 (3.05) | 2.97 | 14.7 (4.48) |
| 12 (3.66) | 2.06 | 17.7 (5.39) |
| 14 (4.27) | 1.51 | 20.6 (6.28) |
| 16 (4.88) | 1.16 | 23.5 (7.16) |

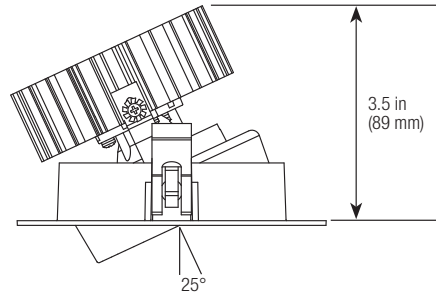
*Total system power including LED driver.

TRIM/LED MODULE DIMENSIONS

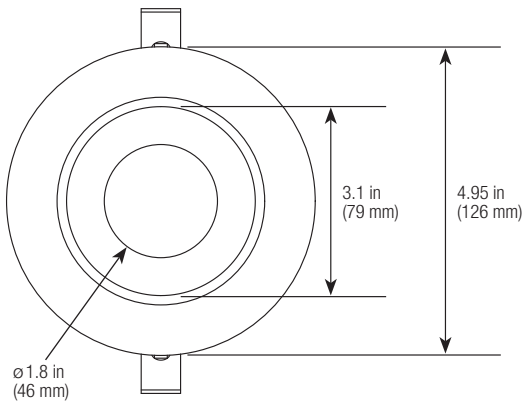
ROUND OR SQUARE: Side View (down position)



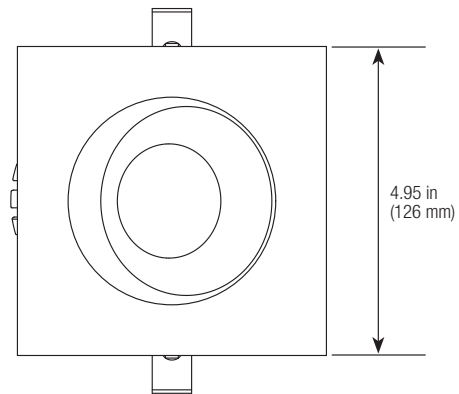
ROUND OR SQUARE: Side View (tilt position)



ROUND: Bottom View (down position)



SQUARE: Bottom View (tilt position)



HOUSING DIMENSIONS

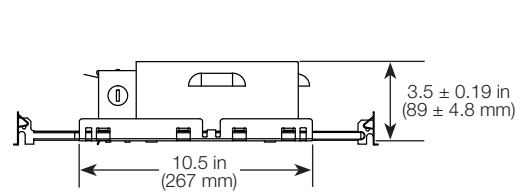
IC Housing (IX/IS)

SIDE VIEW

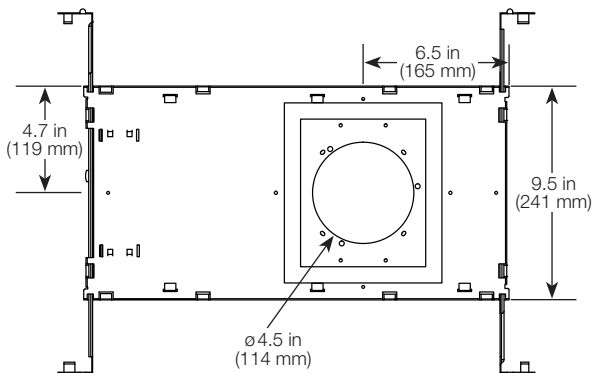


Non-IC Housing (NX)

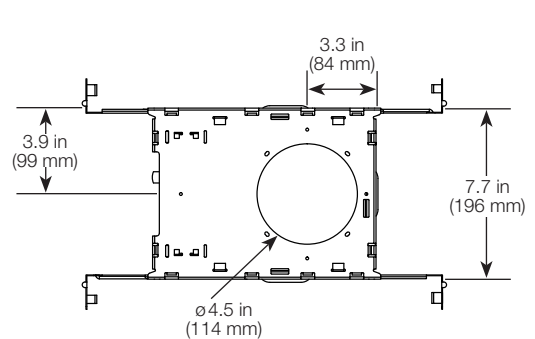
SIDE VIEW



BOTTOM VIEW



BOTTOM VIEW

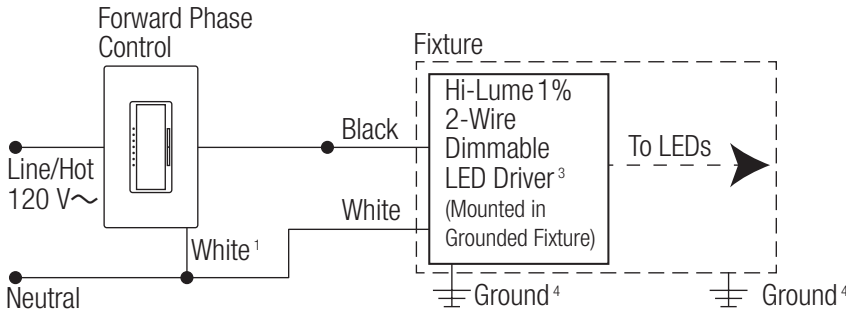


NOTES:

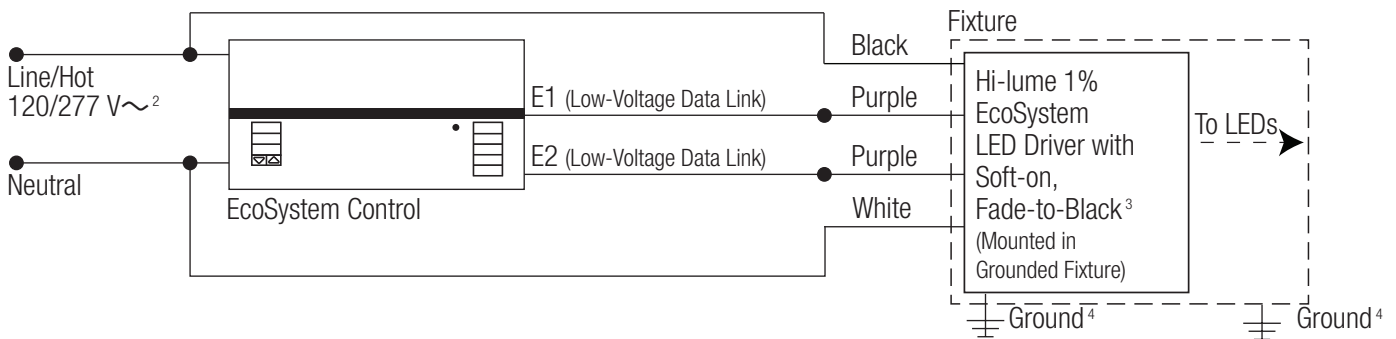
- Unless otherwise stated, dimensions have ± 0.063 in (1.6 mm) tolerance.
- Bar hangers have an adjustable width from 14 in (356 mm) to 24 in (610 mm).
- Wet location trims are Downlight only and do not tilt.

CIRCUIT DIAGRAMS

F1: 2-WIRE FORWARD-PHASE CONTROL WITH NEUTRAL (120 V~ ONLY)



EU: EcoSystem DIGITAL CONTROL (120/277 V~)



¹ Neutral may be optional for certain control types. See product specification submittal for specific wiring diagrams.

² Refer to the specific Lutron control specifications for exact input voltage rating of the product.

³ 40 W maximum rated drivers.

⁴ Ensure that both ground wires are connected in the junction box.

- For questions, contact Fixture Customer Service at fixtures@lutron.com
- For a list of compatible controls and control ratings, visit www.lutron.com/finire or contact the LED Control Center of Excellence at leds@lutron.com or 1.877.DIM.LED8.



Lutron, Lutron, Hi-lume, EcoSystem, and Finiré are trademarks of Lutron Electronics Co., Inc., registered in the U.S. and other countries. Soft-on, Fade-to-Black and Ivalo Collection are trademarks of Lutron Electronics Co., Inc.

©2017-2018 Lutron Electronics Co., Inc.

Lutron Electronics Co., Inc.

7200 Suter Road, Coopersburg, PA 18036

Telephone: 610.282.7472 Fax: 610.282.7600

fixtures@lutron.com

For limited 5-year warranty details, see

www.lutron.com/TechnicalDocumentLibrary/3683454.pdf

Specification subject to change without notice