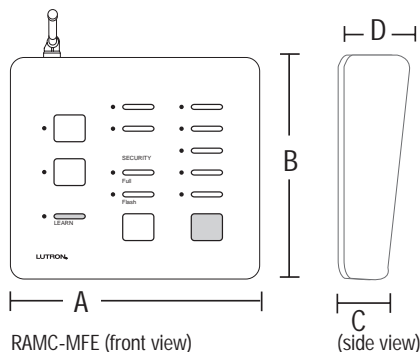


RadioRA Multi-Function Entry Master Control

RAMC-MFE

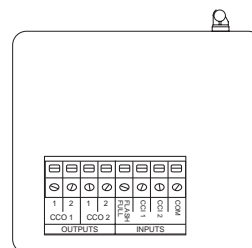
Model No.: RAMC-MFE-

Color: White



Dimensions

	in	mm
A	3.57	91
B	3.23	82
C	0.70	18
D	0.98	25



Terminal Block
(accepts 14-22 AWG Wire)

RAMC-MFE (rear view)

► Specifications

POWER	Input: 120/127VAC, 50/60Hz Output: AC 9V/500mA Class 2 Use only the AC adapter provided by Lutron.
MOUNTING	Wall mount bracket (provided)
TEMPERATURE	32-104°F (0-40°C)
SYSTEM MAX.	12 Master Controls
INPUTS	3 inputs (1 security and 2 general inputs). Switch Closure: momentary or maintained, dry contact or open collector. On Saturation Voltage: < 1.0VDC @ 2.0mA Off Leakage Current: < 1.0µA @ 12VDC
OUTPUTS	2 general outputs. Output closure momentary for as long as corresponding visor control transmitter button is pressed. Max. Voltage: UL Class 2 Max. Current: 1A @ 30VDC

► Function

Allows control of up to 32 circuits of lights in a RadioRA system to:

- turn a light or group of lights on to preset levels
- monitor the status of a light or group of lights
- turn all lights on to full
- turn all lights off
- integrates RadioRA controls with switch closure equipment, such as security systems, timeclocks, photo sensors, etc.

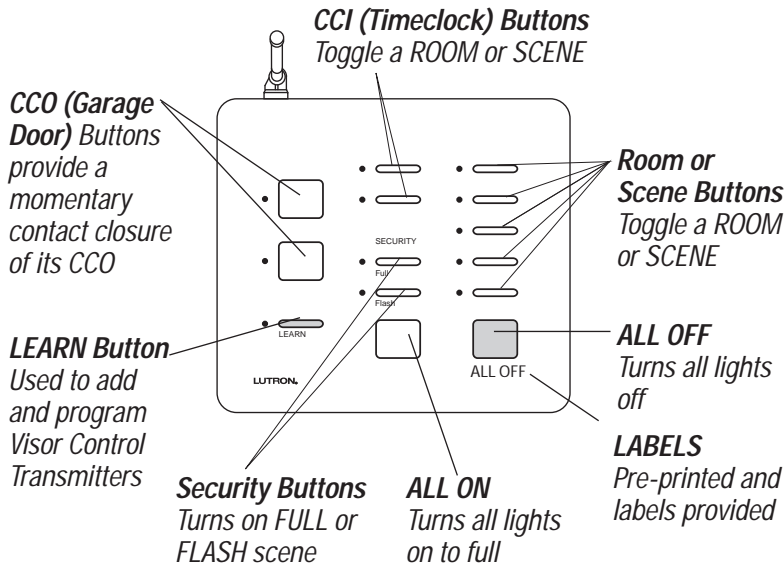
► Features

- Provides all of the functions of a RadioRA Master Control both locally and remotely with the Visor Control Transmitter (sold separately).
- Two contact closure outputs can be controlled from the Visor Control Transmitter and by specific buttons on the Multi-function Entry Master Control.
Note: The outputs cannot be controlled by other RadioRA Master Controls.
- Two general purpose inputs integrate lighting with input devices such as timeclocks and motion sensors (does not require the Switch Closure Interface)
- One security input for Full/Flash
- Each general input can be programmed to accept a momentary or maintained switch closure

► Reliability

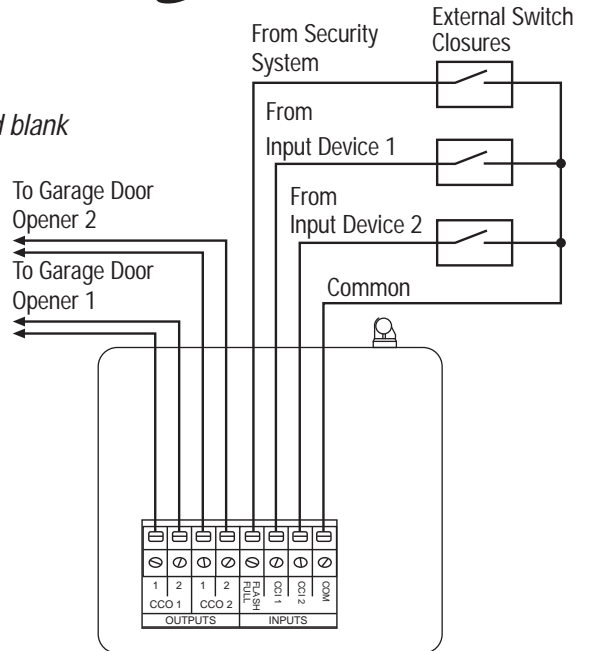
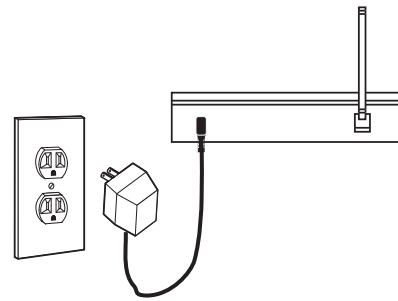
- Outputs can always be controlled directly and do not require central system control.

► **Multi-function Entry Master Control Operation**

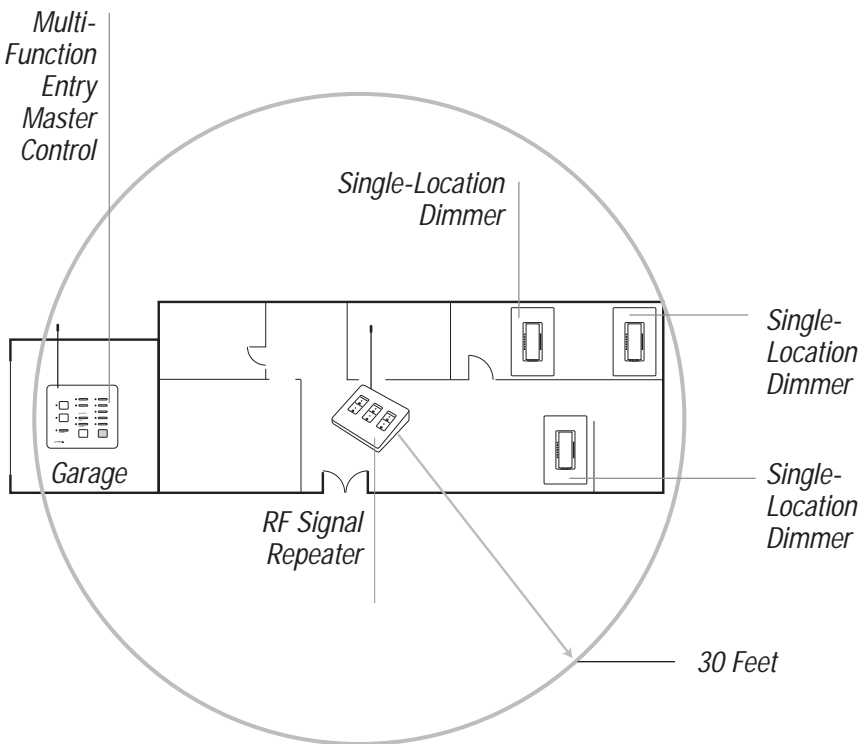


► **Installation**

Plugs in using provided AC adapter



► **RadioRA System Overview**



Notes:

- RadioRA Multi-Function Entry Master Control must be located within 30ft. of an RF Signal Repeater.

► **Limited Warranty**

Lutron will, at its option, repair or replace any unit that is defective in materials or manufacture within one year after purchase. For warranty service, return unit to place of purchase or mail to Lutron at 7200 Suter Rd., Coopersburg, PA 18036-1299, postage pre-paid. THIS WARRANTY IS IN LIEU OF ALL OTHER EXPRESS WARRANTIES, AND THE IMPLIED WARRANTY OF MERCHANTABILITY IS LIMITED TO ONE YEAR FROM PURCHASE. THIS WARRANTY DOES NOT COVER THE COST OF INSTALLATION, REMOVAL OR REINSTALLATION, OR DAMAGE RESULTING FROM MISUSE, ABUSE, OR IMPROPER OR INCORRECT REPAIR, OR DAMAGE FROM IMPROPER WIRING OR INSTALLATION. THIS WARRANTY DOES NOT COVER INCIDENTAL OR CONSEQUENTIAL DAMAGES. LUTRON'S LIABILITY ON ANY CLAIM FOR DAMAGES ARISING OUT OF OR IN CONNECTION WITH THE MANUFACTURE, SALE, INSTALLATION, DELIVERY, OR USE OF THE UNIT SHALL NEVER EXCEED THE PURCHASE PRICE OF THE UNIT. This warranty gives you specific legal rights, and you may also have other rights which vary from state to state. Some states do not allow limitations on how long an implied warranty lasts, so the above limitation may not apply to you. Some states do not allow the exclusion or limitation of incidental or consequential damages, so the above limitation or exclusion may not apply to you.

© 2001 Lutron Electronics Co., Inc.

Order P/N 366-416 for a complete set of RadioRA specification submittals. Printed in the U.S.A. 1/02