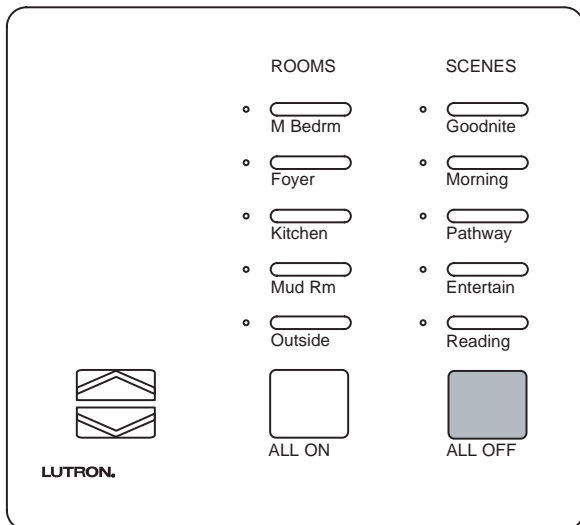


Button Programming

Note: Refer to RadioRA® Setup Guide P/N 044-001 and Multi-Function Entry Master Control Guide P/N 044-022 for programming details.

RAMC-10T-RL-WH at bedside:



Goodnite: Turns some lights off, leaving nightlights on at low levels for safety.

Morning: Turns on bedroom to very low level, and creates a pathway of low-level lighting to the kitchen.

Pathway: Turns on lights to a higher level, creating an obvious pathway to the kitchen.

Entertain: Turns on all lights to a comfortable level for entertaining.

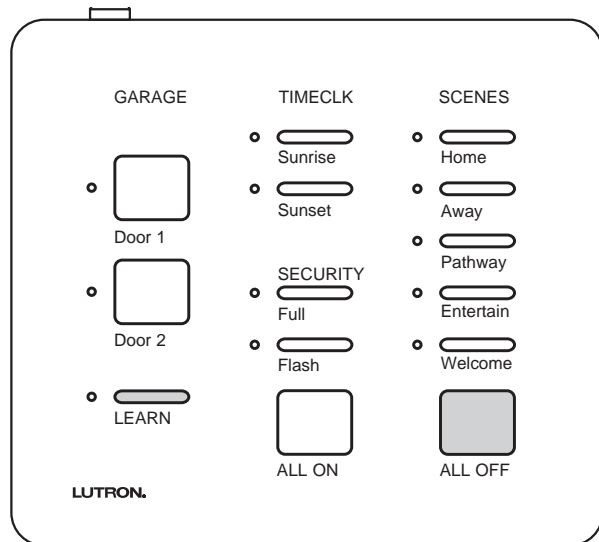
Reading: Turns on lights to an appropriate level for reading in bed.

Rooms Left column: These buttons may be used for monitoring the lights placed throughout the home.

All ON: Turn on all lights instantly.

Raise/Lower Bottom left buttons: These buttons may be used to fine-tune the lighting levels to achieve the perfect setting for any occasion.

RAMC-MFE-WH at mud room or garage:



Home: Turns on all lights creating a pathway allowing entry to a safe, well-lit home. (Note: Learn this button to the car visor transmitters).

Away: Turns most lights off, leaving the exterior lighting on and possibly leaving the foyer on at a low level. (Note: Learn this button to the car visor transmitters).

Pathway: Create a pathway to the master bedroom or upstairs at a low level for those late night arrivals with the kids.

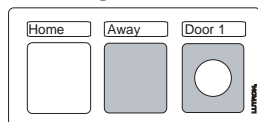
Entertain: Turns on all lights to a comfortable level for entertaining.

Welcome: Turns on lights to create a welcome look from outside for arriving guests.

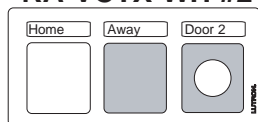
Outputs (Door 1, Door 2) may be used to control garage doors. Learn each output button to the appropriate car visor transmitter.

Inputs (Sunrise, Sunset, Security) may be linked to a timeclock to control exterior lights. Turn them on at sunset and off at sunrise. Security systems integrate for instant Full on of interior lights and Flash of exterior lights when the alarm is tripped.

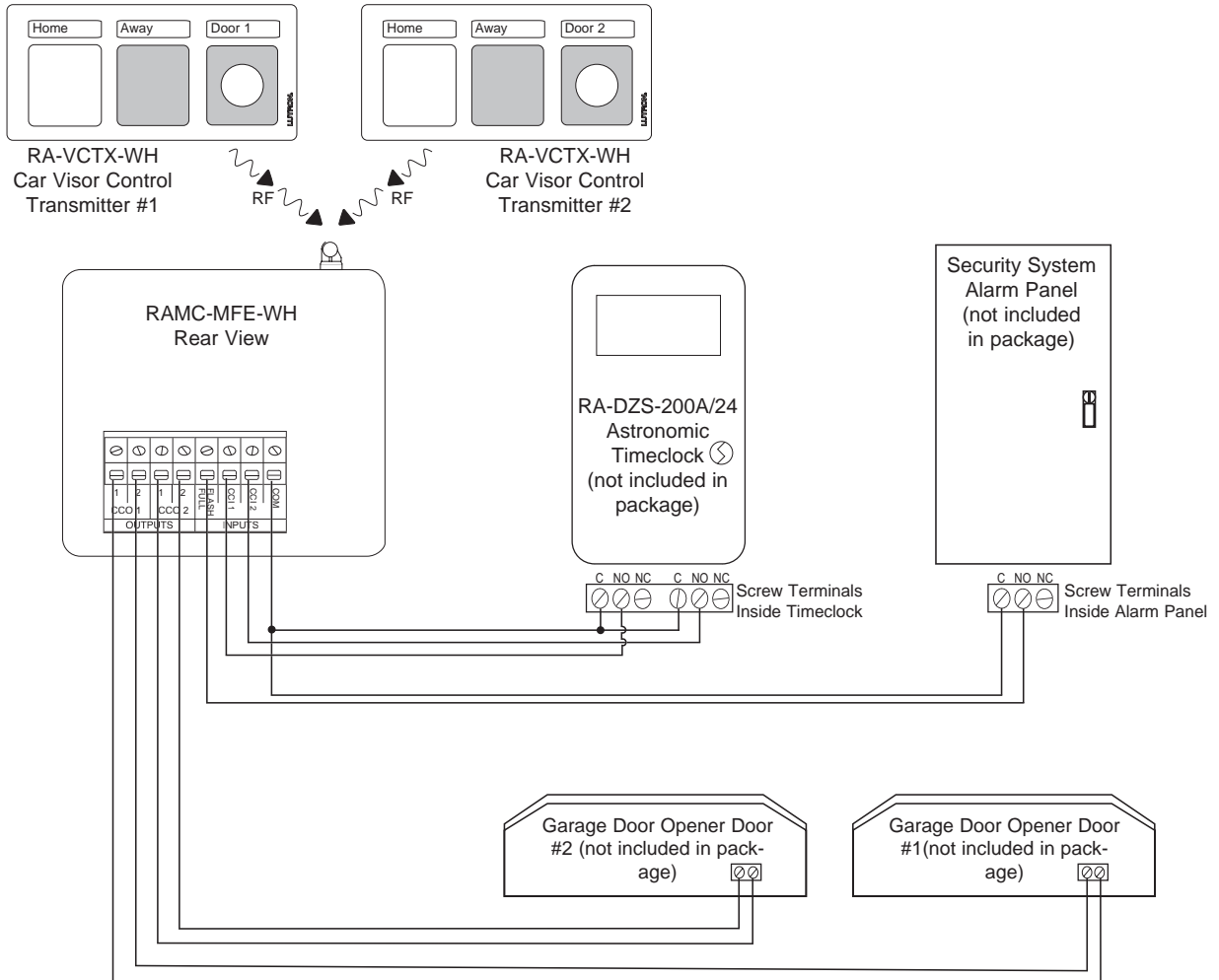
RA-VCTX-WH #1



RA-VCTX-WH #2



Wiring Diagram



Conclusion

Turning your lights on from the car, creating timed lighting events, integration with security systems, and light control from the touch of a button are the moderate levels of home automation that most homeowners are looking for. This design template will greatly reduce the programming time required to accomplish this.

Worldwide Technical and Sales Assistance

If you need assistance call the toll-free **Lutron Technical Support Center**. Please provide exact model number when calling.
(800) 523-9466 (U.S.A., Canada, and the Caribbean)
Other countries call (610) 282-3800
Visit us on the web at www.lutron.com

Lutron Electronics Co., Inc.
7200 Suter Road
Coopersburg, PA 18036-1299 U.S.A.
Phone: (610) 282-3800
Fax: (610) 282-3090

Lutron and RadioRA are registered trademarks of Lutron Electronics Co., Inc.
© 2002 Lutron Electronics Co., Inc.

**Need additional assistance? Call the Lutron Technical Support Center 1-800-523-9466
Please provide exact model number when calling.**

Lutron Electronics Co., Inc.
7200 Suter Road
Coopersburg, PA 18036-1299 U.S.A.
Made and printed in the U.S.A. 6/02 P/N 367-446