

LUTRON®

For Your Information ...

APPLICATION
NOTE

#56

How to retrofit single pole, 3-Way, and 4-Way switches with a GRAFIK RA™ Control Unit to Match RadioRA® Look

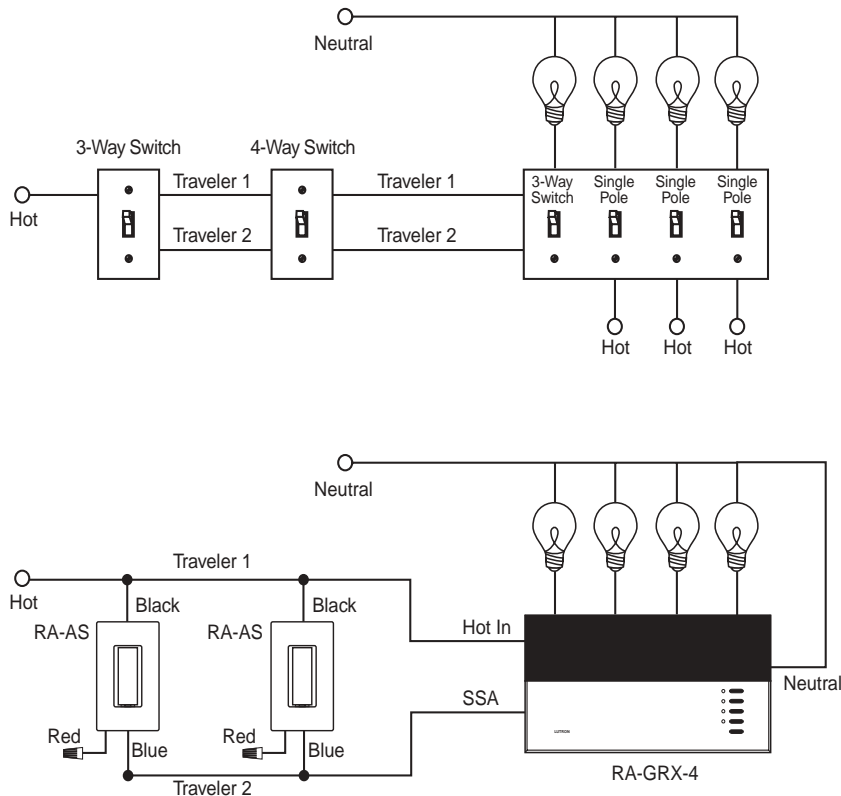
Overview

The following options detail how to replace existing single-pole, 3-way and 4-way switches with a *GRAFIK RA* Control Unit and RA-AS accessory controls. When retrofitting 3, 4, or 6 zone *GRAFIK RA* Control Units in 3-way and 4-way switching locations, this will give a consistent appearance with other decorator opening products throughout the home.

Notes:

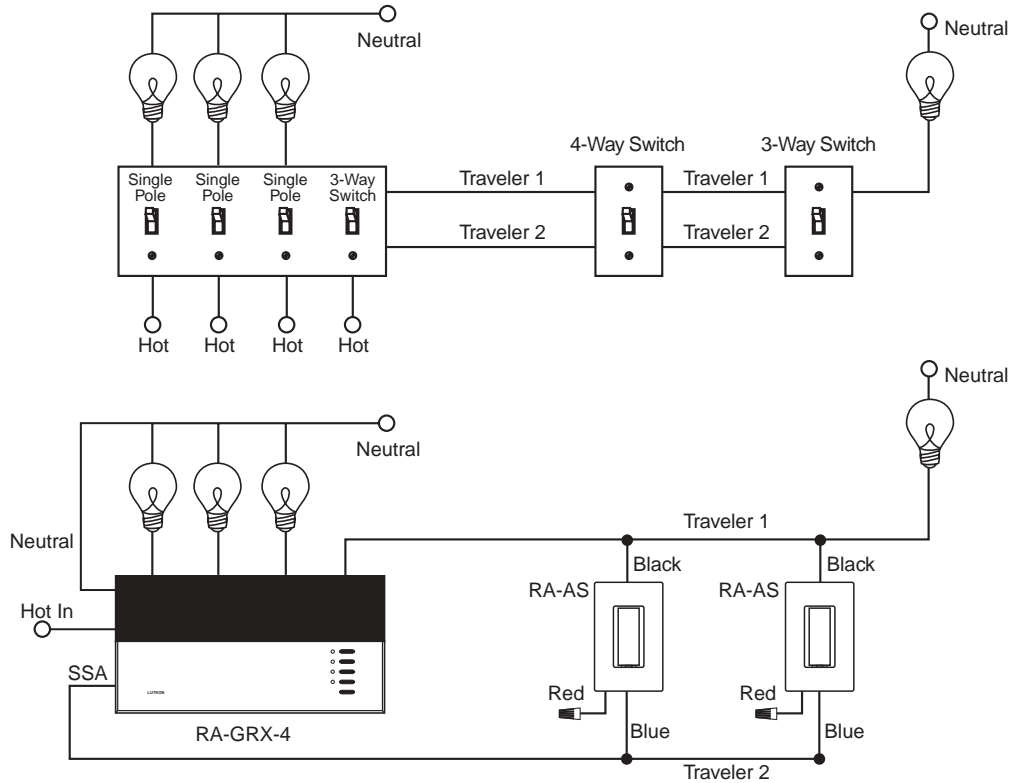
- All lighting zones must be on the same phase.
- The RA-AS will toggle between **SCENE 1 and OFF**
- The FASS™ switch (air gap switch) *does not* break load current to the *GRAFIK RA* Control Unit.
- Cap off the red lead of the RA-AS.

Option #1: Replacing 3-way and 4-way Switches on the Line Side of the GRAFIK RA Control Unit.

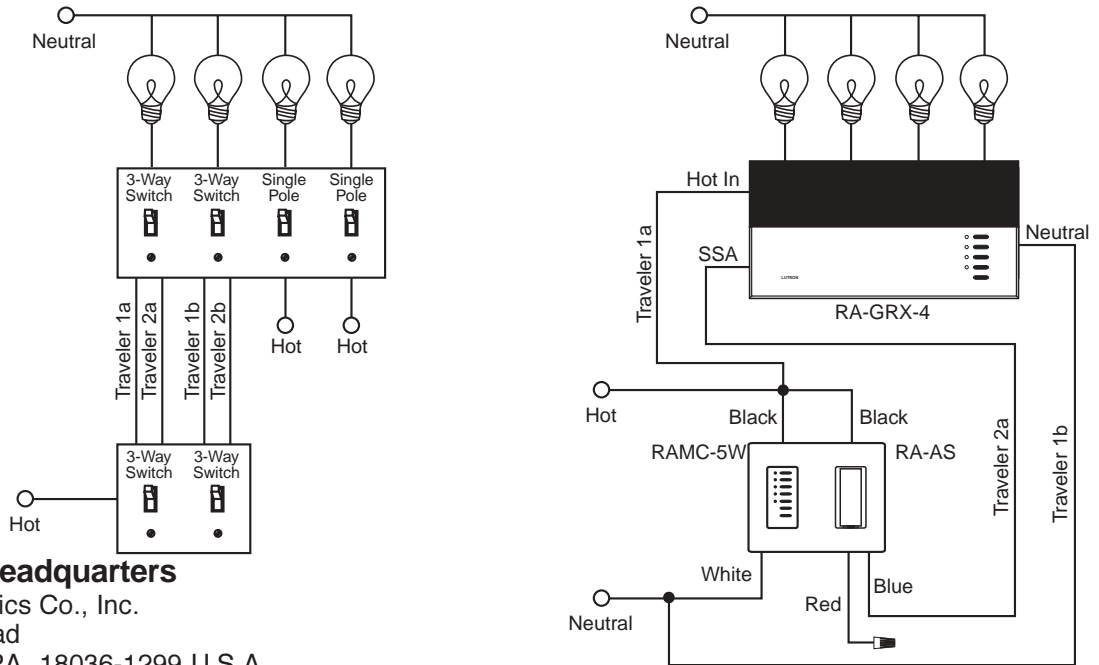


Need additional assistance? Call the Lutron Technical Support Center 1-800-523-9466
Please provide exact model number when calling.

Option #2: Replacing 3-way and 4-way Switches on the Load Side of the GRAFIK RA Control Unit.



Option #3: Replacing Multiple 3-way and 4-way Switches on the Line Side of the GRAFIK RA Control Unit.



Worldwide Headquarters
 Lutron Electronics Co., Inc.
 7200 Suter Road
 Coopersburg, PA 18036-1299 U.S.A.
 Phone: (610) 282-3800
 Fax: (610) 282-3090

Lutron and RadioRA are registered trademarks and FASS and GRAFIK RA are Trademarks of Lutron Electronics Co., Inc. © 2002 Lutron Electronics Co., Inc.

**Need additional assistance? Call the Lutron Technical Support Center 1-800-523-9466
 Please provide exact model number when calling.**

Lutron Electronics Co., Inc.
 7200 Suter Road
 Coopersburg, PA 18036-1299 U.S.A.
 Made and printed in U.S.A. 6/02 P/N 367-041 Rev. B