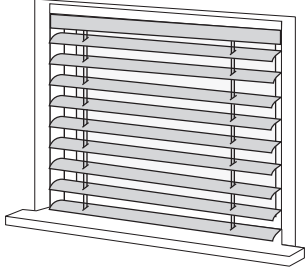


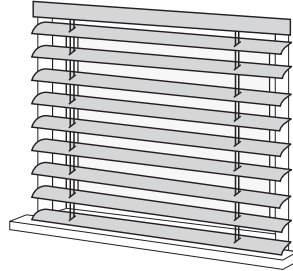
# Lutron®—Wood Blind and Venetian Blind Selection Guide

Residence: \_\_\_\_\_ Area: \_\_\_\_\_ Window(s): \_\_\_\_\_

## Step 1 Select Mounting Option



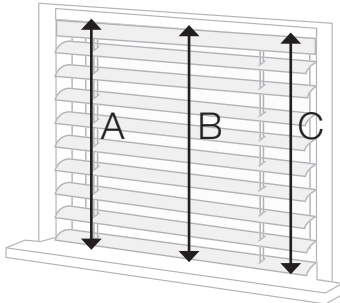
Inside window jamb



Outside window jamb

## Step 2 Measure Height and Width

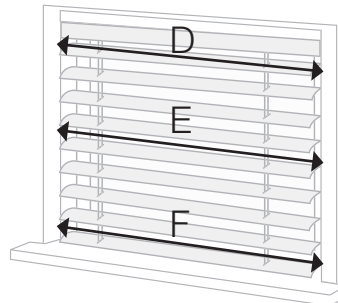
Measure the window to the nearest 1/8 inch at points A through F to determine the height of the lowered blind (A, B, C), and the width of the headrail (D, E, F).



A \_\_\_\_\_ inches

B \_\_\_\_\_ inches

C \_\_\_\_\_ inches



D \_\_\_\_\_ inches

E \_\_\_\_\_ inches

F \_\_\_\_\_ inches

## Step 3 Select Slat Finish

Color Name \_\_\_\_\_ Color Model Number \_\_\_\_\_

Custom Color Matching—Sample of finish being requested must be submitted.

## Step 4 Select Decorative Tape (optional)

Color Name \_\_\_\_\_ Color Model Number \_\_\_\_\_

None

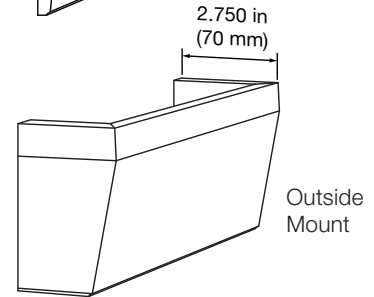
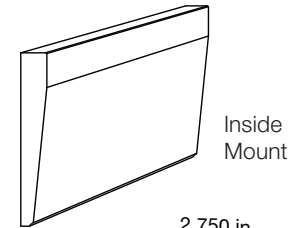
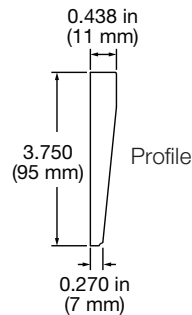
## Step 5

## Select Valance Style

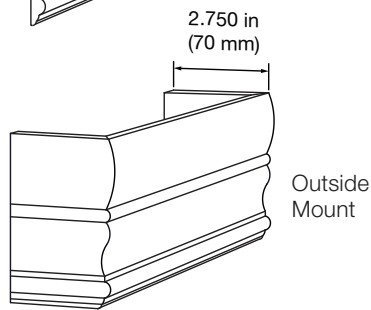
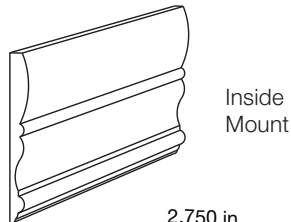
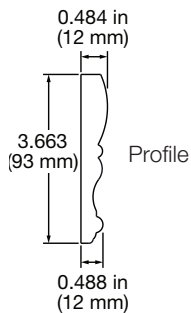
Note: Euro Collection Venetians do not have their own valance.

None

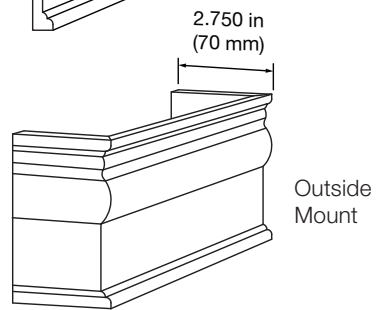
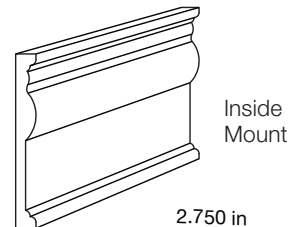
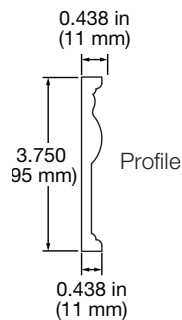
Sutton



Royal



Harvard



## Step 6

## Select Valance Finish (if applicable)

Color Name \_\_\_\_\_ Color Model Number \_\_\_\_\_

Custom Color Matching—Sample of finish being requested must be submitted.

**Please note:** Product options may vary depending on application and intended use. For more technical information, reference the Lutron shading solutions product guide (P/N 367-1455) located at [www.lutron.com](http://www.lutron.com) or work with your Lutron qualified installer. Product availability is subject to change.

Please contact your local Lutron sales representative for more information on ordering product.

[www.lutron.com](http://www.lutron.com)



World Headquarters 1.610.282.3800 | 24/7 Technical Support 1.800.523.9466 | Customer Service 1.888.LUTRON1 (1.888.588.7661)

© 07/2015 Lutron Electronics Co., Inc. | P/N 367-2090 REV E

