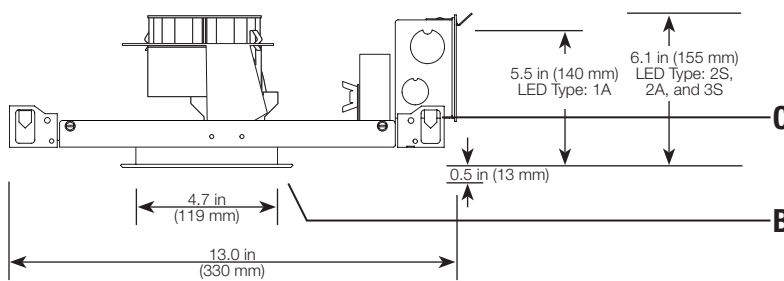




DIMENSIONS

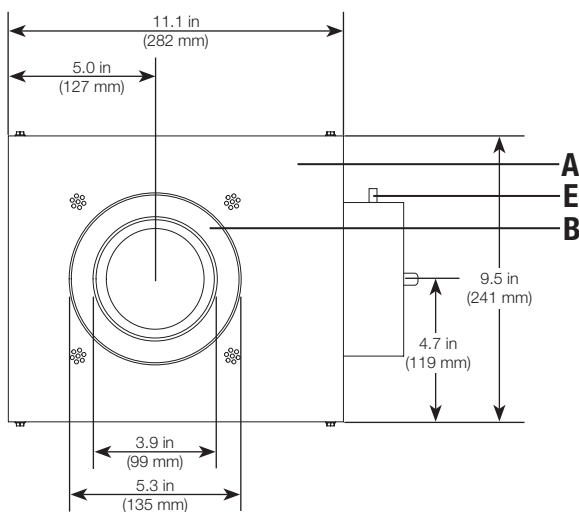
SIDE VIEW (HOUSING)



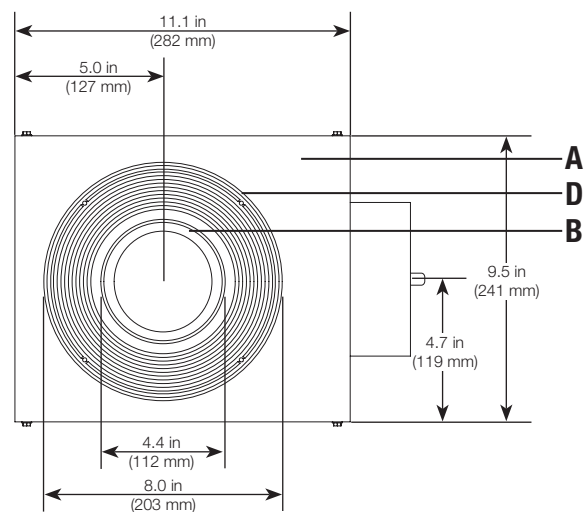
A	Frame
B	Trim
C	Junction Box
D	Mud Ring ¹
E	Thermal Protection

Lutron Hi-lume 1% LED Driver not shown

BOTTOM VIEW (Trimmed)



BOTTOM VIEW (Trimless)



PRINCIPAL FEATURES

- Xicato LEDs: 83 CRI (typical) or 97 CRI, R9=95 (typical).
- 50,000 hours rated LED system life (LED and driver) at 77 °F (25 °C) ambient.
- Powerful adjustable LED module in efficient trim with excellent cutoff.
- Standard Lutron Hi-lume 1% LED Driver delivers continuous, flicker-free dimming from 100% down to 1% of measured light output.
- Hi-lume 1% EcoSystem LED Driver features Soft-on, Fade-to-Black technology.²
- 20°, 30°, 36°, 40° and 50° beam angles available.
- Trim supports a variety of lens/accessory options.
- IC fixtures must be used for installations containing insulating materials. Non-IC fixtures cannot be used in this type of application.
- Frame constructed of 20 gauge steel.
- Supplied with 14 in to 24 in (356 mm to 610 mm) adjustable bar hangers.
- UL[®] and cUL Listed.
- LED optics rotate 357° and tilt from 0° to 42°.
- Housings finished with reclaimed black powder coat.
- Thermal protection device standard.
- Adjustable mounting brackets can be mounted on any side of the fixture.
- Field replaceable components:
 - Beam angle reflector
 - Lutron LED driver
 - Decorative trim/lens
 - LED module with integrated heat sink
- 2-wire forward phase controls are generally for residential applications. EcoSystem controls are generally for commercial applications.

SPECIFICATIONS

- Operating Temperature:** 32 °F to 104 °F (0 °C to 40 °C)
- Decibel Rating:** Quiet in a 25 dB room
- Max Ceiling Thickness:** 2.0 in (50 mm)
- Mud Ring Thickness¹:** 0.125 in (3 mm)
- Ceiling Cutout:** ø 4.8 in (ø 122 mm)
- Fixture Weight:** 4.0 lb (1.8 kg)
- Fixture Size (by LED Type):**
 - 1A: 13.0 in x 9.5 in x 5.5 in (330 mm x 241 mm x 140 mm)
 - 2S, 2A, and 3S: 13.0 in x 9.5 in x 6.1 in (330 mm x 241 mm x 155 mm)
- Junction Box Size:** 4.9 in x 3.1 in x 1.75 in (124 mm x 79 mm x 44 mm). See NEC[®] chart 314.16A for box fill/wiring capacity.

COMPATIBLE CONTROLS

Visit www.lutron.com/finire

¹ Mud ring is for trimless fixtures only.

² PWM dimming below 5% for Hi-lume 1% EcoSystem drivers.



ORDERING GUIDES

BASE UNIT CONFIGURATION

Select appropriate code in each column to complete model number.

Example:

FAT4RN 1A 35 40 F1 B2 XX - R4500 MW SO XX

SERIES	LED TYPE	TEMP	BEAM	CONTROL	HANGING	CEILING	TRIM	FINISH	LENS	OPTIONS
FAT4RN Finire 4 in Trimmed Non-IC Adjustable	1A 17 W 700 lm 97 CRI ^{1,2}	27 2700 K	20 20° Beam Spread	F1 2-Wire Forward Phase 120 V~	B2 14 in to 24 in (356 mm to 610 mm) Adjustable Bar Hangers	XX Standard	R4500 Trimmed Round Adjustable ^{3,4}	MW Matte White	FG Frosted Glass	XX None (Standard)
FAZ4RN Finire 4 in Trimless Non-IC Adjustable	2S 18 W 1000 lm 83 CRI ^{1,2}	30 3000 K	30 30° Beam Spread	E1 EcoSystem 120 V~ ¹⁰		10 1 in (25 mm)	R4106 Trimmed Round Pinhole Adjustable ^{3,4}	BL Matte Black	SO Micro Prism Solite™	WL Wet Location ⁵
	2A 20 W 850 lm 97 CRI ^{1,2}	35 3500 K	36 36° Beam Spread ⁶	E7 EcoSystem 277 V~ ¹⁰		15 1.5 in (38 mm)	Z4500 Trimless Round Adjustable ^{7,4}	SG Stainless ⁸	CG Clear Glass	TF Round Center Frosted Glass ^{3,9}
	3S 35 W 2000 lm 83 CRI ^{1,2,12}		40 40° Beam Spread			20 2 in (51 mm)		RB Bronze ⁸		
			50 50° Beam Spread					CL Clear Bright Alzak® ¹¹		
								WE Wheat Alzak® ¹¹		

- ¹ All Lumen and CRI values typical. Typical Lumen values are derived from Downlight photometric data.
- ² Adjustable fixtures in the Wall Wash position may have lower Lumen output. See photometric table for exact Lumen output.
- ³ Applicable to FAT4RN series only.
- ⁴ Downlight trims can be used with Adjustable fixtures when placed in the Downlight position but will limit the adjustable capability of the fixture.
- ⁵ For use in covered interior ceilings only.
- ⁶ Available in 2S and 3S LED types only.
- ⁷ Applicable to FAZ4RN series only.
- ⁸ Metallic Paint.
- ⁹ Decorative trim.
- ¹⁰ Hi-lume 1% EcoSystem LED driver with Soft-on, Fade-to-Black technology.
- ¹¹ White Flange is standard for the Clear Bright Alzak® and Wheat Alzak® finishes.
- ¹² Non-IC housing type only.

NOTES:

Housing and trim assemblies can be purchased or shipped separately.

Additional options available:

- 4000 K CCT
- Custom options

Not for use in Quebec.

For more information, please contact Fixture Customer Service at fixtures@lutron.com or 610.282.7472.

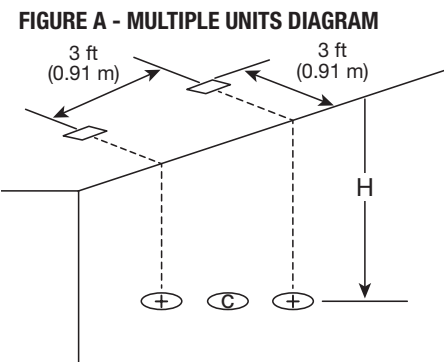
For more information, please contact Fixture Customer Service at fixtures@lutron.com or 610.282.7472.



PHOTOMETRIC DATA

		97 CRI / R9 = 95	
LED TYPE	2A (Downlight position)	1A (Wall Wash position)	
BEAM ANGLE	40°	40°	
MODEL NUMBER	FA_4R_2A2740	FA_4R_1A2740	
LIGHT OUTPUT (lm)	728	702	
WATTAGE (W)	18.3*	14.3*	
EFFICACY (lm/W)	39.7*	49.0*	
COLOR ACCURACY CRI	97.3	97.3	
COLOR TEMPERATURE	2700 K	2700 K	
CANDELA PLOT (NADIR)			
	<p>— 0° plane - - - 45° plane - · - 90° plane</p>		
MULTIPLE UNITS		FOOTCANDLES (fc) ON WALL (FIGURE A)	
H = DISTANCE FROM CEILING	Nadir (fc)	50% Lighted Diameter (ft)	(+) (C) (+)
4 ft (1.22 m)	84.6	2.6	10 8 10
6 ft (1.83 m)	37.6	3.9	27 22 27
8 ft (2.44 m)	21.1	5.2	17 19 17
10 ft (3.05 m)	13.5	6.6	10 11 10
12 ft (3.66 m)	9.4	7.9	6 6 6
14 ft (4.27 m)	6.9	9.2	4 4 4
16 ft (4.88 m)	5.3	10.5	2 2 2

Lens Efficiency	CLEAR GLASS	SOLITE™	FROSTED GLASS			
	100%	98%	86%			
Trim Color Efficiency	WHITE	BLACK	STAINLESS	BRONZE	CLEAR ALZAK®	WHEAT ALZAK®
	100%	75%	85%	78%	99%	94%
Color Temperature Efficiency	2700 K	3000 K	3500 K			
	86%	93%	100%			



NOTE: There will be an 15% increase in light output when using the 20° or 36°, reflector compared to the 30°, 40°, and 50° reflectors.

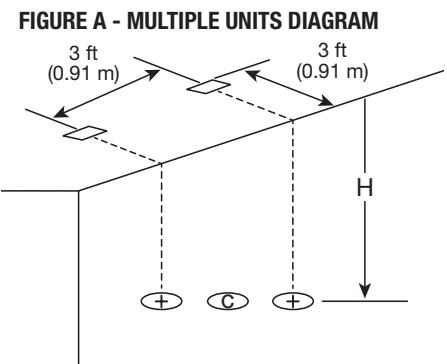
* Power measurements are taken from an IC fixture input power. Non-IC fixture input power is approximately 2 W greater than the IC fixture input power due to a thermal protection device.



PHOTOMETRIC DATA

		97 CRI / R9 = 95	
LED TYPE	2A (Downlight position)	1A (Wall Wash position)	
BEAM ANGLE	20°	20°	
MODEL NUMBER	FA_4R_2A2720	FA_4R_1A2720	
LIGHT OUTPUT (lm)	903	783	
WATTAGE (W)	18.4*	14.3*	
EFFICACY (lm/W)	49.1*	54.9*	
COLOR ACCURACY CRI	97.3	97.3	
COLOR TEMPERATURE	2700 K	2700 K	
CANDELA PLOT (NADIR)			
MULTIPLE UNITS		FOOTCANDLES (fc) ON WALL (FIGURE A)	
H = DISTANCE FROM CEILING	Nadir (fc)	50% Lighted Diameter (ft)	⊕ ⊕ ⊕
4 ft (1.22 m)	219	1.6	10 8 10
6 ft (1.83 m)	97.3	2.4	27 22 27
8 ft (2.44 m)	54.3	3.2	17 19 17
10 ft (3.05 m)	35.0	4.0	10 11 10
12 ft (3.66 m)	24.3	4.8	6 6 6
14 ft (4.27 m)	17.9	5.6	4 4 4
16 ft (4.88 m)	13.7	6.3	2 2 2

Lens Efficiency	CLEAR GLASS	SOLITE™	FROSTED GLASS			
	100%	98%	86%			
Trim Color Efficiency	WHITE	BLACK	STAINLESS	BRONZE	CLEAR ALZAK®	WHEAT ALZAK®
	100%	75%	85%	78%	99%	94%
Color Temperature Efficiency	2700 K	3000 K	3500 K			
	86%	93%	100%			



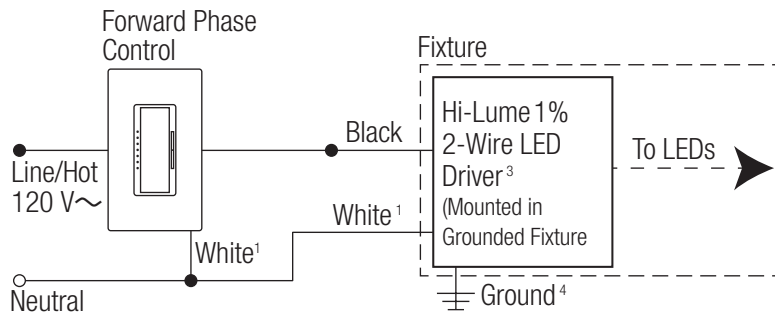
NOTE: There will be an 15% increase in light output when using the 20° or 36°, reflector compared to the 30°, 40°, and 50° reflectors.

* Power measurements are taken from an IC fixture input power. Non-IC fixture input power is approximately 2 W greater than the IC fixture input power due to a thermal protection device.

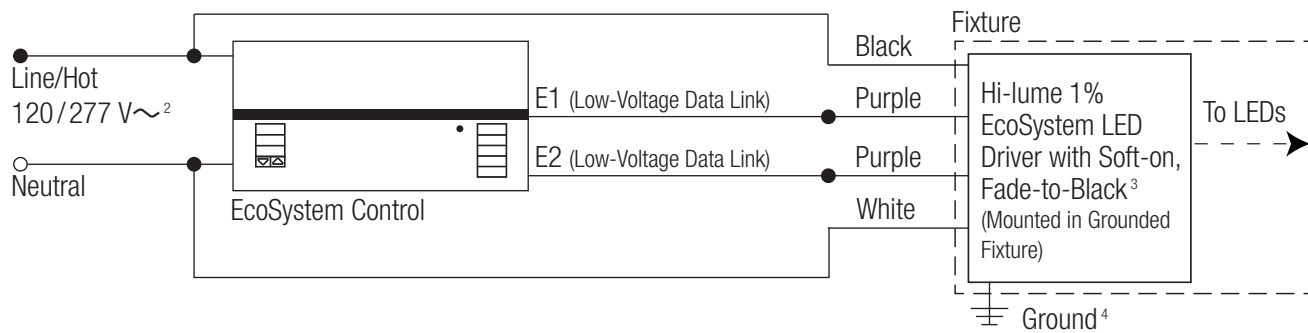


CIRCUIT DIAGRAMS

2-WIRE FORWARD PHASE CONTROL (120 V~ ONLY)



EcoSystem DIGITAL CONTROL (120 / 277 V~)



¹ Neutral may be optional for certain control types. See product specification submittal for specific wiring diagrams.

² Refer to the specific Lutron control specifications for exact input voltage rating of the product.

³ 40 W maximum rated drivers.

⁴ Ensure that both ground wires are connected in the junction box.

- Contact Fixture Customer Service for custom mounting options at fixtures@lutron.com
- For a list of compatible controls and control ratings, visit www.lutron.com/finire or contact the LED Control Center of Excellence at 1.877.DIM.LED8 or leds@lutron.com



Lutron, Lutron, EcoSystem, IVALO, IVALO Lighting, Hi-lume, HomeWorks, and Finiré are trademarks of Lutron Electronics Co., Inc. registered in the U.S. and other countries. Lutron Ivalo Collection and Soft-on, Fade-to-Black are trademarks of Lutron Electronics Co., Inc. UL is a trademark of UL LLC.

NEC is a registered trademark of National Fire Protection Association, Quincy, Massachusetts.

SOLITE is a trademark of Solite Innovations LLC.

Alzak is a registered trademark of Alcoa.

©2012-2019 Lutron Electronics Co., Inc.

Lutron Electronics Co., Inc.
7200 Suter Road, Coopersburg, PA 18036
Telephone 610.282.7472 Fax 610.282.7600
fixtures@lutron.com

For limited 10-year warranty details, see www.lutron.com/TechnicalDocumentLibrary/3683454.pdf

Specification subject to change without notice.