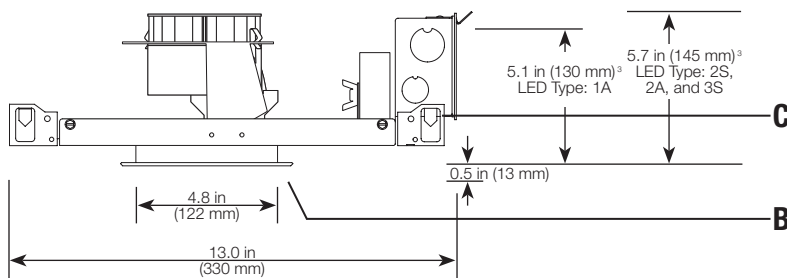




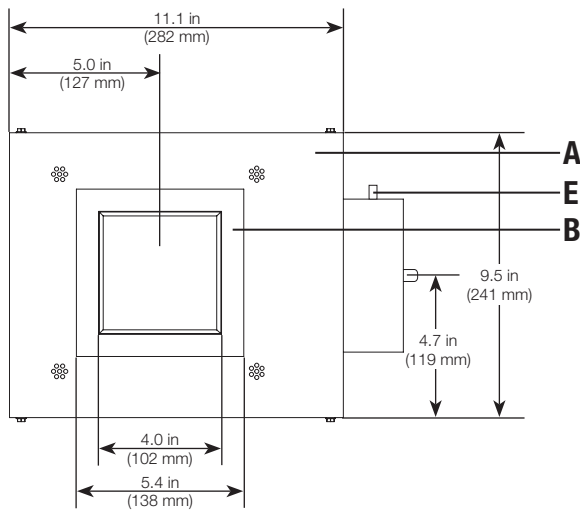
DIMENSIONS

SIDE VIEW (HOUSING)

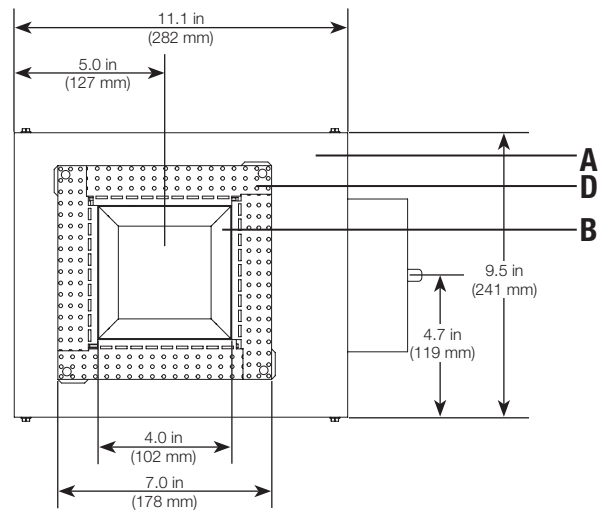


- A Frame
 - B Trim
 - C Junction Box
 - D Mud Ring¹
 - E Thermal Protection
- Lutron Hi-lume 1% LED Driver not shown*

BOTTOM VIEW (Trimmed)



BOTTOM VIEW (Trimless)



PRINCIPAL FEATURES

- Xicato LEDs: 83 CRI (typical) or 97 CRI, R9=95 (typical).
- 50,000 hours rated LED system life (LED and driver) at 77 °F (25 °C) ambient.
- Powerful LED module in elegant square trim with excellent cutoff.
- Standard Lutron Hi-lume 1% LED Driver delivers continuous, flicker-free dimming from 100% down to 1% of measured light output.
- Hi-lume 1% EcoSystem LED Driver features Soft-on, Fade-to-Black technology.²
- 20°, 30°, 36°, 40° and 50° beam angles available.
- Trim supports a variety of lens/accessory options.
- IC fixtures must be used for installations containing insulating materials. Non-IC fixtures cannot be used in this type of application.
- Frame constructed of 20 gauge steel.
- Supplied with 14 in to 24 in (356 mm to 610 mm) adjustable bar hangers.
- UL[®] and cUL Listed.
- LED optics rotate 357° and tilt from 0° to 42°.
- Housings finished with reclaimed black powder coat.
- Thermal protection device standard.
- Adjustable mounting brackets can be mounted on any side of the fixture.
- Field replaceable components:
 - Beam angle reflector
 - Lutron LED driver
 - LED module with integrated heat sink
 - Decorative trim/lens
- 2-wire forward phase controls are generally for residential applications. EcoSystem controls are generally for commercial applications.

SPECIFICATIONS

- Operating Temperature:** 32 °F to 104 °F (0 °C to 40 °C)
- Decibel Rating:** Quiet in a 25 dB room
- Max Ceiling Thickness:** 2.0 in (50 mm)
- Mud Ring Thickness:** 0.125 in (3 mm)
- Ceiling Cutout:** 4.9 in x 4.9 in (124 mm x 124 mm)
- Fixture Weight:** 4.0 lb (1.8 kg)
- Fixture Size (by LED Type):³**
 - 1A: 13.0 in x 9.5 in x 5.1 in (330 mm x 241 mm x 130 mm)
 - 2S, 2A, and 3S: 13.0 in x 9.5 in x 5.7 in (330 mm x 241 mm x 145 mm)
- Junction Box Size:** 4.9 in x 3.1 in x 1.75 in (124 mm x 79 mm x 44 mm). See NEC[®] chart 314.16A for box fill/wiring capacity.

COMPATIBLE CONTROLS

Visit www.lutron.com/finire

¹ Mud ring is for trimless fixtures only.
² PWM dimming below 5% for Hi-lume 1% EcoSystem drivers.
³ Maximum height in tilt position is 5.6 in (142 mm) for 1A and 6.2 in (157 mm) for 2S, 2A, and 3S.



ORDERING GUIDES

BASE UNIT CONFIGURATION

Select appropriate code in each column to complete model number.

Example:

FAT4SN 1A 35 40 F1 B2 XX - R0204 MW SO XX

SERIES	LED TYPE	TEMP	BEAM	CONTROL	HANGING	CEILING	TRIM	FINISH	LENS	OPTIONS
FAT4SN Finire 4 in Trimmed Non-IC Square Adjustable	1A 17 W 700 lm 97 CRI ^{1,2}	27 2700 K	20 20° Beam Spread	F1 2-Wire Forward Phase 120 V~	B2 14 in to 24 in (356 mm to 610 mm) Adjustable Bar Hangers	XX Standard	R0204 Trimmed Square Adjustable ^{3,4}	MW Matte White	FG Frosted Glass	XX None (Standard)
FAZ4SN Finire 4 in Trimless Non-IC Square Adjustable	2S 18 W 1000 lm 83 CRI ^{1,2}	30 3000 K	30 30° Beam Spread	E1 EcoSystem 120 V~ ¹⁰		10 1 in (25 mm)	Z0204 Trimless Square Adjustable ^{4,5}	BL Matte Black	S0 Micro Prism Solite™	WL Wet Location ⁶
	2A 20 W 850 lm 97 CRI ^{1,2}	35 3500 K	36 36° Beam Spread ⁷	E7 EcoSystem 277 V~ ¹⁰		15 1.5 in (38 mm)		SG Stainless ⁸	CG Clear Glass	FQ Square Frosted Glass ^{3,9}
	3S 35 W 2000 lm 83 CRI ¹¹		40 40° Beam Spread			20 2 in (51 mm)		RB Bronze ⁸		
			50 50° Beam Spread							

- ¹ All Lumen and CRI values typical. Typical Lumen values are derived from Downlight photometric data.
- ² Adjustable fixtures in the Wall Wash position may have lower Lumen output. See photometric table for exact Lumen output.
- ³ Applicable to FAT4SN series only.
- ⁴ Downlight trims can be used with Adjustable fixtures when placed in the Downlight position but will limit the adjustable capability of the fixture.
- ⁵ Applicable to FAZ4SN series only.
- ⁶ For use in covered interior ceilings only.
- ⁷ Available in 2S and 3S LED types only.
- ⁸ Metallic Paint.
- ⁹ Decorative trim.
- ¹⁰ Hi-Lume 1% EcoSystem LED driver with Soft-on, Fade-to-Black technology.
- ¹¹ Non-IC housing type only.

NOTES:
 Housing and trim assemblies can be purchased or shipped separately.
 Additional options available:
 – 4000 K CCT
 – Custom options
 Not for use in Quebec.
 For more information, please contact Fixture Customer Service at fixtures@lutron.com or 610.282.7472.

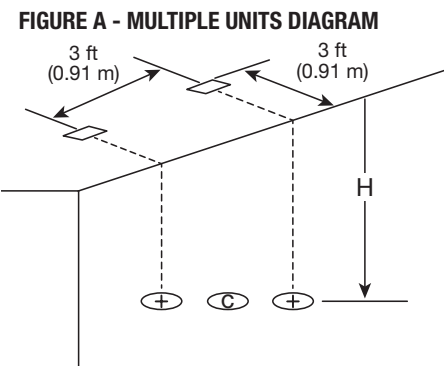
For more information, please contact Fixture Customer Service at fixtures@lutron.com or 610.282.7472.



PHOTOMETRIC DATA

		97 CRI / R9 = 95			
LED TYPE	2A (Downlight position)	1A (Wall Wash position)			
BEAM ANGLE	40°	40°			
MODEL NUMBER	FA_4S_2A2740	FA_4S_1A2740			
LIGHT OUTPUT (lm)	768	524			
WATTAGE (W)	18.6*	14.4*			
EFFICACY (lm/W)	41.3*	36.4*			
COLOR ACCURACY CRI	97.2	97.4			
COLOR TEMPERATURE	2700 K	2700 K			
CANDELA PLOT (NADIR)					
	<p>— 0° plane - - - 45° plane - · - · 90° plane</p>				
MULTIPLE UNITS		FOOTCANDLES (fc) ON WALL (FIGURE A)			
H = DISTANCE FROM CEILING	Nadir (fc)	50% Lighted Diameter (ft)	(+)	(C)	(+)
4 ft (1.22 m)	73.2	3.0	11	10	11
6 ft (1.83 m)	32.5	4.5	12	16	12
8 ft (2.44 m)	18.3	6.0	7	9	7
10 ft (3.05 m)	11.7	7.5	5	5	5
12 ft (3.66 m)	8.1	9.0	3	3	3
14 ft (4.27 m)	6.0	10.4	2	2	2
16 ft (4.88 m)	4.6	11.9	1	1	1

Lens Efficiency	CLEAR GLASS	SOLITE™	FROSTED GLASS			
	100%	98%	86%			
Trim Color Efficiency	WHITE	BLACK	STAINLESS	BRONZE	CLEAR ALZAK®	WHEAT ALZAK®
	100%	75%	85%	78%	99%	94%
Color Temperature Efficiency	2700 K	3000 K	3500 K			
	86%	93%	100%			



NOTE: There will be an 15% increase in light output when using the 20° or 36°, reflector compared to the 30°, 40°, and 50° reflectors.

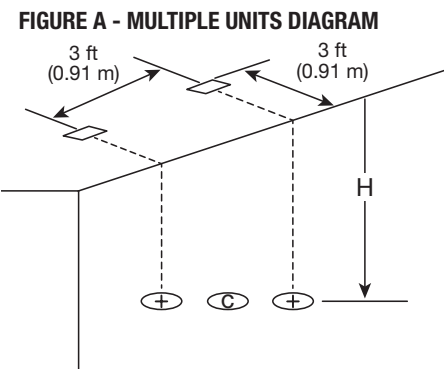
* Power measurements are taken from an IC fixture input power. Non-IC fixture input power is approximately 2 W greater than the IC fixture input power due to a thermal protection device.



PHOTOMETRIC DATA

		97 CRI / R9 = 95			
LED TYPE	2A (Downlight position)	1A (Wall Wash position)			
BEAM ANGLE	20°	20°			
MODEL NUMBER	FA_4S_2A2720	FA_4S_1A2720			
LIGHT OUTPUT (lm)	940	633			
WATTAGE (W)	18.6*	14.4*			
EFFICACY (lm/W)	50.6*	44.0*			
COLOR ACCURACY CRI	97.2	97.3			
COLOR TEMPERATURE	2700 K	2700 K			
CANDELA PLOT (NADIR)					
MULTIPLE UNITS		FOOTCANDLES (fc) ON WALL (FIGURE A)			
H = DISTANCE FROM CEILING	Nadir (fc)	50% Lighted Diameter (ft)	+	C	+
4 ft (1.22 m)	217	1.6	8	7	8
6 ft (1.83 m)	96.3	2.4	24	21	24
8 ft (2.44 m)	54.2	3.2	15	16	15
10 ft (3.05 m)	34.7	4.0	8	8	8
12 ft (3.66 m)	24.1	4.8	4	4	4
14 ft (4.27 m)	17.7	5.6	3	3	3
16 ft (4.88 m)	13.5	6.5	2	2	2

Lens Efficiency	CLEAR GLASS	SOLITE™	FROSTED GLASS			
		100%	98%	86%		
Trim Color Efficiency	WHITE	BLACK	STAINLESS	BRONZE	CLEAR ALZAK®	WHEAT ALZAK®
		100%	75%	85%	78%	99%
Color Temperature Efficiency	2700 K	3000 K	3500 K			
		86%	93%	100%		



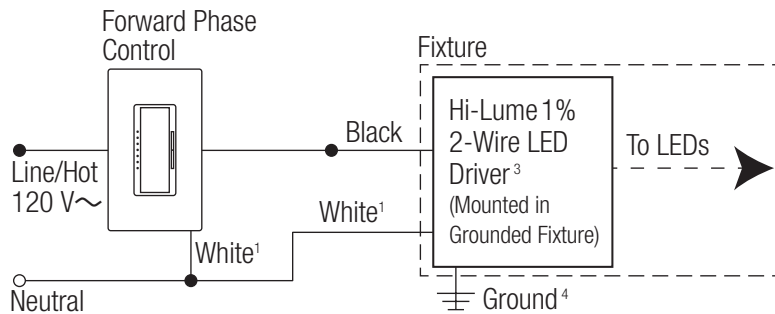
NOTE: There will be an 15% increase in light output when using the 20° or 36°, reflector compared to the 30°, 40°, and 50° reflectors.

* Power measurements are taken from an IC fixture input power. Non-IC fixture input power is approximately 2 W greater than the IC fixture input power due to a thermal protection device.

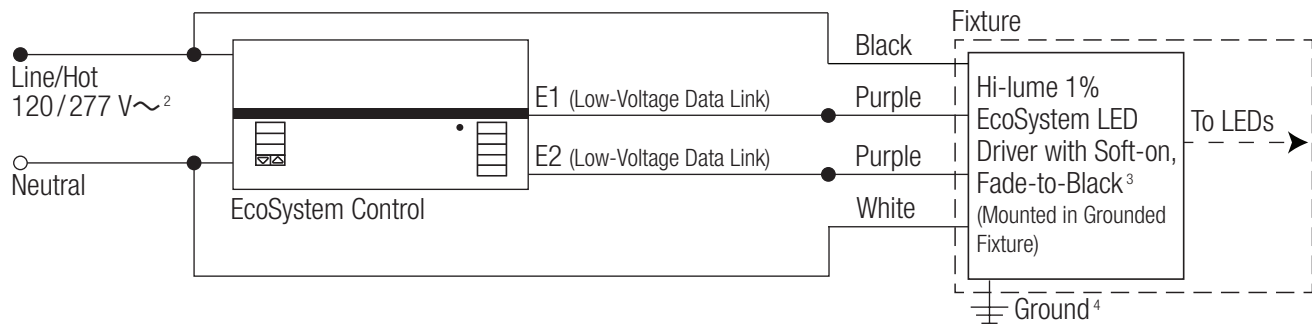


CIRCUIT DIAGRAMS

2-WIRE FORWARD PHASE CONTROL (120 V~ ONLY)



EcoSystem DIGITAL CONTROL (120/277 V~)



¹ Neutral may be optional for certain control types. See product specification submittal for specific wiring diagrams.

² Refer to the specific Lutron control specifications for exact input voltage rating of the product.

³ 40 W maximum rated drivers.

⁴ Ensure that both ground wires are connected in the junction box.

- Contact Fixture Customer Service for custom mounting options at fixtures@lutron.com
- For a list of compatible controls and control ratings, visit www.lutron.com/finire or contact the LED Control Center of Excellence at 1.877.DIM.LED8 or leds@lutron.com



Lutron, Lutron, EcoSystem, IVALO, IVALO Lighting, Hi-Lume, HomeWorks, and Finiré are trademarks of Lutron Electronics Co., Inc. registered in the U.S. and other countries. Lutron Ivalo Collection and Soft-on, Fade-to-Black are trademarks of Lutron Electronics Co., Inc. UL is a trademark of UL LLC.

NEC is a registered trademark of National Fire Protection Association, Quincy, Massachusetts.

SOLITE is a trademark of Solite Innovations LLC.

Alzak is a registered trademark of Alcoa.

©2012-2019 Lutron Electronics Co., Inc.

Lutron Electronics Co., Inc.

7200 Suter Road, Coopersburg, PA 18036

Telephone 610.282.7472 Fax 610.282.7600

fixtures@lutron.com

For limited 10-year warranty details, see

www.lutron.com/TechnicalDocumentLibrary/3683454.pdf

Specification subject to change without notice.