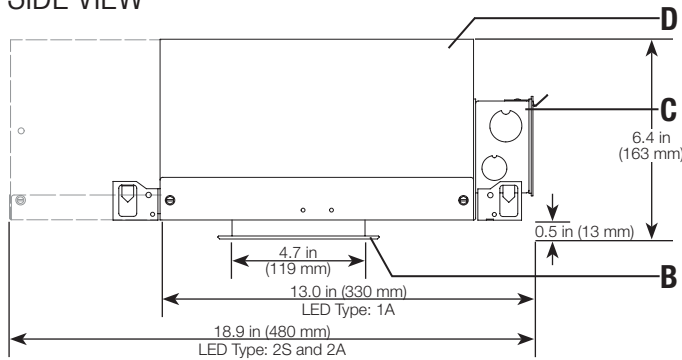




DIMENSIONS

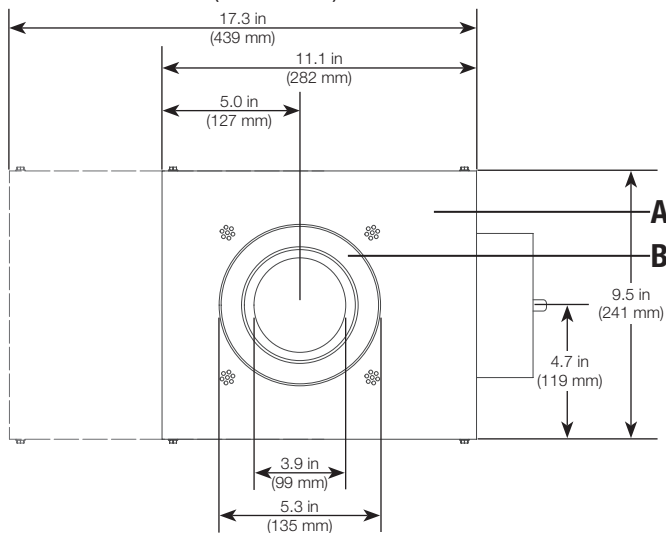
SIDE VIEW



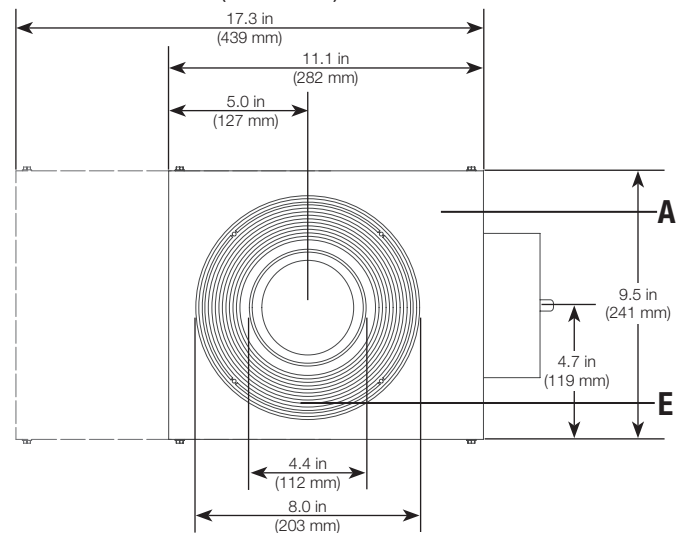
A	Frame
B	Trim
C	Junction Box
D	IC Housing
E	Mud Ring ¹

Lutron Hi-lume 1% LED Driver not shown

BOTTOM VIEW (Trimmed)



BOTTOM VIEW (Trimless)



PRINCIPAL FEATURES

- Xicato LEDs: 83 CRI (typical) or 97 CRI, R9=95 (typical).
- 50,000 hours rated LED system life (LED and driver) at 77 °F (25 °C) ambient.
- Powerful LED module in efficient parabolic trim with excellent cutoff.
- Standard Lutron Hi-lume 1% LED Driver delivers continuous, flicker-free dimming from 100% down to 1% of measured light output.
- Hi-lume 1% EcoSystem LED Driver features Soft-on, Fade-to-Black technology.²
- 30°, 36°, 40°, and 50° beam angles available.
- Trim supports a variety of lens/accessory options.
- IC fixtures must be used for installations containing insulating materials. Non-IC fixtures cannot be used in this type of application.
- IC fixtures meet airtight and Chicago plenum construction requirements for 2.0 CFM or less air leakage.

- Frame constructed of 20 gauge steel.
- UL® and cUL Listed.
- Supplied with 14 in to 24 in (356 mm to 610 mm) adjustable bar hangers.
- Housings finished with reclaimed black powder coat.
- Adjustable mounting brackets can be mounted on any side of the fixture.
- Field replaceable components:
 - Beam angle reflector
 - Lutron LED driver
 - LED module with integrated heat sink
 - Decorative trim/lens
- 2-wire forward phase controls are generally for residential applications. EcoSystem controls are generally for commercial applications.

SPECIFICATIONS

Operating Temperature: 32 °F to 104 °F (0 °C to 40 °C)

Decibel Rating: Quiet in a 25 dB room

Max Ceiling Thickness: 2.0 in (50 mm)

Mud Ring Thickness¹: 0.125 in (3 mm)

Ceiling Cutout: ø 4.8 in (ø 122 mm)

Fixture Weight: 4.0 lb (1.8 kg)

Fixture Size (by LED Type):

- 1A: 13.0 in x 9.5 in x 6.4 in (330 mm x 241 mm x 163 mm)
- 2S and 2A: 18.9 in x 9.5 in x 6.4 in (480 mm x 241 mm x 163 mm)

Junction Box Size: 4.9 in x 3.1 in x 1.75 in (124 mm x 79 mm x 44 mm). See NEC® chart 314.16A for box fill/wiring capacity.

COMPATIBLE CONTROLS

Visit www.lutron.com/finire

¹ Mud ring is for trimless fixtures only.

² PWM dimming below 5% for Hi-lume 1% EcoSystem drivers.



ORDERING GUIDES

BASE UNIT CONFIGURATION

Select appropriate code in each column to complete model number.

Example:

FDT4RI 1A 35 40 F1 B2 XX - R4466 MW SO XX

SERIES	LED Type	TEMP	BEAM	CONTROL	HANGING	CEILING	TRIM	FINISH	LENS	OPTIONS
FDT4RI Finire 4 in Trimmed IC Round Downlight	1A 17 W 700 lm 97 CRI ¹	27 2700 K	30 30° Beam Spread	F1 2-Wire Forward Phase 120 V~	B2 14 in to 24 in (356 mm to 610 mm) Adjustable Bar Hangers	XX Standard	R4466 Trimmed Round Downlight ²	MW Matte White	FG Frosted Glass	XX None (Standard)
FDZ4RI Finire 4 in Trimless IC Round Downlight	2S 18 W 1000 lm 83 CRI ¹	30 3000 K	36 36° Beam Spread ³	E1 EcoSystem 120 V~ ⁸						
	2A 20 W 850 lm 97 CRI ¹	35 3500 K	40 40° Beam Spread	E7 EcoSystem 277 V~ ⁸		15 1.5 in (38 mm)	Z4466 Trimless Round Downlight ⁵	SG Stainless ⁶	CG Clear Glass	TF Round Center Frosted Glass ^{2,7}
			50 50° Beam Spread			20 2 in (51 mm)		RB Bronze ⁶		
								CL Clear Bright Alzak ⁹		
								WE Wheat Alzak ⁹		

¹ All Lumen and CRI values typical. Typical Lumen values are derived from Downlight photometric data.
² Applicable to FDT4RI series only.
³ Available in the 2S LED type only.
⁴ For use in covered interior ceilings only.
⁵ Applicable to FDZ4RI series only.
⁶ Metallic Paint.
⁷ Decorative trim.
⁸ Hi-lume 1% EcoSystem LED driver with Soft-on, Fade-to-Black technology.
⁹ White Flange is standard for the Clear and Wheat Alzak[®] trims.

NOTES:
 Housing and trim assemblies can be purchased or shipped separately.
 Additional options available:
 – 4000 K CCT
 – Custom options
 Not for use in Quebec.
 For more information, please contact Fixture Customer Service at fixtures@lutron.com or 610.282.7472.

For Title 24 compliant model numbers or for more information, please contact Fixture Customer Service at fixtures@lutron.com or 610.282.7472.



PHOTOMETRIC DATA

	97 CRI / R9 = 95			
LED TYPE	2A	1A		
BEAM ANGLE	40°	40°		
MODEL NUMBER	FD_4R_2A2740	FD_4R_1A2740		
LIGHT OUTPUT (lm)	762	638		
WATTAGE (W)	18.4*	14.7*		
EFFICACY (lm/W)	41.5*	43.4*		
COLOR ACCURACY CRI	97.4	97.4		
COLOR TEMPERATURE	2700 K	2700 K		
CANDELA PLOT (NADIR)				
MULTIPLE UNITS				
H = DISTANCE FROM CEILING	Nadir (fc)	50% Lighted Diameter (ft)	Nadir (fc)	50% Lighted Diameter (ft)
4 ft (1.22 m)	83.6	2.7	69.2	2.7
6 ft (1.83 m)	37.1	4.1	30.8	4.1
8 ft (2.44 m)	20.9	5.4	17.3	5.4
10 ft (3.05 m)	13.4	6.8	11.1	6.8
12 ft (3.66 m)	9.3	8.1	7.7	8.1
14 ft (4.27 m)	6.8	9.5	5.7	9.5
16 ft (4.88 m)	5.2	10.9	4.3	10.9

Lens Efficiency	CLEAR GLASS	SOLITE™	FROSTED GLASS			
	100%	98%	86%			
Trim Color Efficiency	WHITE	BLACK	STAINLESS	BRONZE	CLEAR ALZAK®	WHEAT ALZAK®
	100%	75%	85%	78%	99%	94%
Color Temperature Efficiency	2700 K	3000 K	3500 K			
	86%	93%	100%			

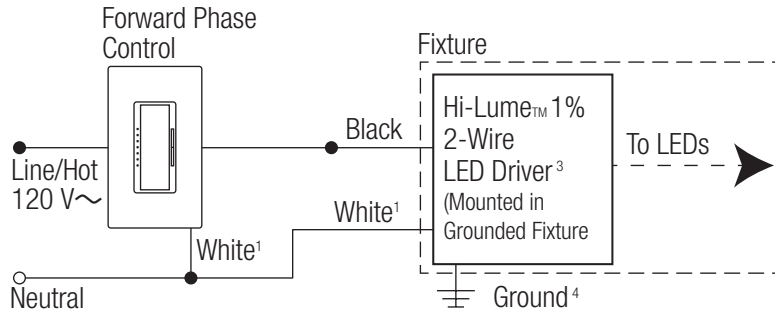
NOTE: There will be an 15% increase in light output when using the 36° reflector compared to the 30°, 40°, and 50° reflectors.

* Power measurements are taken from an IC fixture input power. Non-IC fixture input power is approximately 2 W greater than the IC fixture input power due to a thermal protection device.

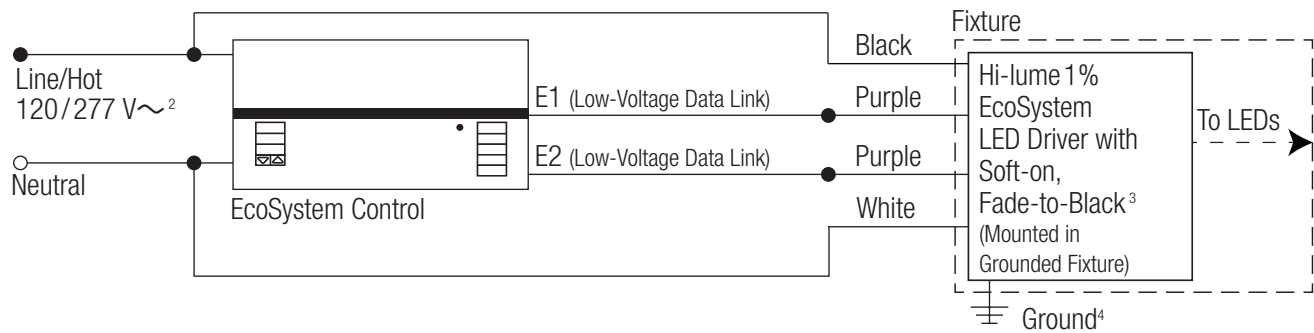


CIRCUIT DIAGRAMS

2-WIRE FORWARD PHASE CONTROL (120 V~ ONLY)



EcoSystem DIGITAL CONTROL (120/277 V~)



¹ Neutral may be optional for certain control types. See product specification submittal for specific wiring diagrams.

² Refer to the specific Lutron® control specifications for exact input voltage rating of the product.

³ 40 W maximum rated drivers.

⁴ Ensure that both ground wires are connected in the junction box.

- Contact Fixture Customer Service for custom mounting options at fixtures@lutron.com
- For a list of compatible controls and control ratings, visit www.lutron.com/finire or contact the LED Control Center of Excellence at 1.877.DIM.LED8 or leds@lutron.com



Lutron, Lutron, EcoSystem, IVALO, IVALO Lighting, Hi-Lume, HomeWorks, and Finiré are trademarks of Lutron Electronics Co., Inc. registered in the U.S. and other countries. Lutron Ivalo Collection and Soft-on, Fade-to-Black are trademarks of Lutron Electronics Co., Inc. UL is a trademark of UL LLC.

NEC is a registered trademark of National Fire Protection Association, Quincy, Massachusetts.

SOLITE is a trademark of Solite Innovations LLC.

Alzak is a registered trademark of Alcoa.

©2012-2019 Lutron Electronics Co., Inc.

Lutron Electronics Co., Inc.

7200 Suter Road, Coopersburg, PA 18036

Telephone 610.282.7472 Fax 610.282.7600

fixtures@lutron.com

For limited 10-year warranty details, see

www.lutron.com/TechnicalDocumentLibrary/3683454.pdf

Specification subject to change without notice.