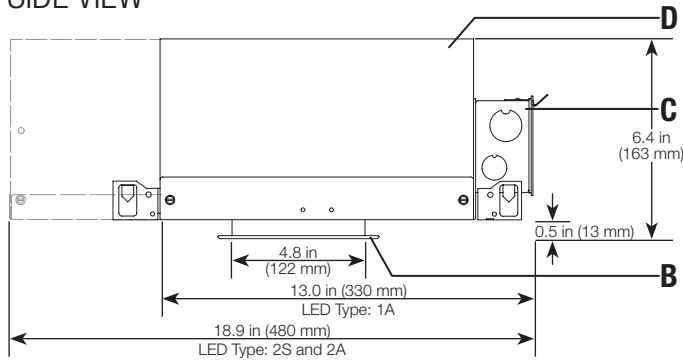




DIMENSIONS

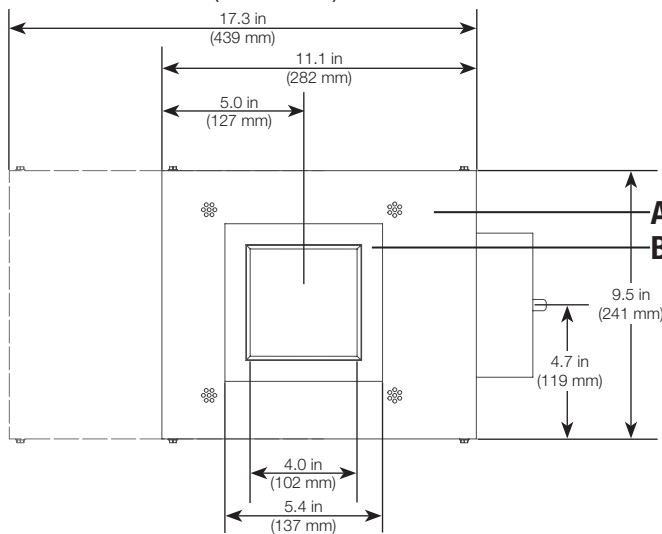
SIDE VIEW



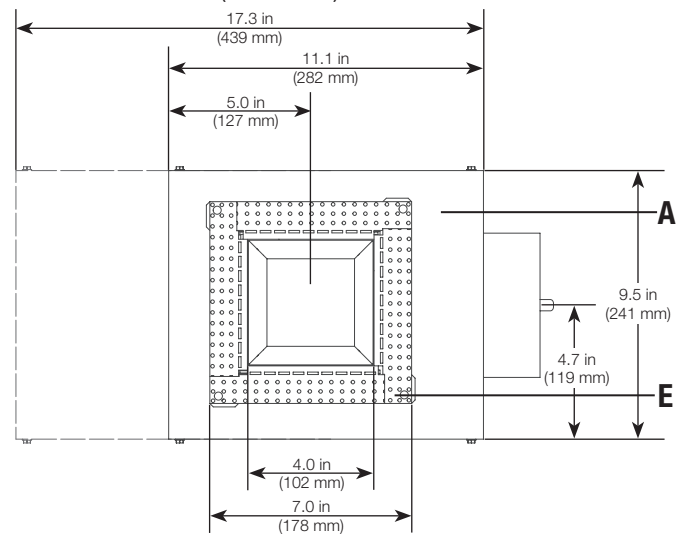
A	Frame
B	Trim
C	Junction Box
D	IC Housing
E	Mud Ring ¹

Lutron Hi-lume 1% LED Driver not shown

BOTTOM VIEW (Trimmed)



BOTTOM VIEW (Trimless)



PRINCIPAL FEATURES

- Xicato LEDs: 83 CRI (typical) or 97 CRI, R9=95 (typical).
- 50,000 hours rated LED system life (LED and driver) at 77 °F (25 °C) ambient.
- Powerful LED module in elegant square trim with excellent cutoff.
- Standard Lutron Hi-lume 1% LED Driver delivers continuous, flicker-free dimming from 100% down to 1% of measured light output.
- Hi-lume 1% EcoSystem LED Driver features Soft-on, Fade-to-Black technology.²
- 30°, 36°, 40° and 50° beam angles available.
- Trim supports a variety of lens/accessory options.
- IC fixtures must be used for installations containing insulating materials. Non-IC fixtures cannot be used in this type of application.
- IC fixtures meet airtight and Chicago plenum construction requirements for 2.0 CFM or less air leakage.
- Frame constructed of 20 gauge steel.
- UL[®] and cUL Listed.
- Supplied with 14 in to 24 in (356 mm to 610 mm) adjustable bar hangers.
- Housings finished with reclaimed black powder coat.
- Adjustable mounting brackets can be mounted on any side of the fixture.
- Field replaceable components:
 - Beam angle reflector
 - Lutron LED driver
 - LED module with integrated heat sink
 - Decorative trim/lens
- 2-wire forward phase controls are generally for residential applications. EcoSystem controls are generally for commercial applications.

SPECIFICATIONS

- **Operating Temperature:** 32 °F to 104 °F (0 °C to 40 °C)
- **Decibel Rating:** Quiet in a 25 dB room
- **Max Ceiling Thickness:** 2.0 in (50 mm)
- **Mud Ring Thickness¹:** 0.125 in (3 mm)
- **Ceiling Cutout:** 4.9 in x 4.9 in (124 mm x 124 mm)
- **Fixture Weight:** 4.0 lb (1.8 kg)
- **Fixture Size: (by LED Type):**
 - 1A: 13.0 in x 9.5 in x 6.4 in (330 mm x 241 mm x 163 mm)
 - 2S and 2A: 18.9 in x 9.5 in x 6.4 in (480 mm x 241 mm x 163 mm)
- **Junction Box Size:** 4.9 in x 3.1 in x 1.75 in (124 mm x 79 mm x 44 mm). See NEC[®] chart 314.16A for box fill/wiring capacity.

COMPATIBLE CONTROLS

Visit www.lutron.com/finire

¹ Mud ring is for trimless fixtures only.

² PWM dimming below 5% for EcoSystem Hi-lume 1% drivers.



ORDERING GUIDES

BASE UNIT CONFIGURATION

Select appropriate code in each column to complete model number.

Example:

FDT4SI 1A 35 40 F1 B2 XX - R04A4 MW SO XX

SERIES	LED TYPE	TEMP	BEAM	CONTROL	HANGING	CEILING	TRIM	FINISH	LENS	OPTIONS
FDT4SI Finire 4 in Trimmed IC Square Downlight	1A 17 W 700 lm 97 CRI ^{1,2}	27 2700 K	30 30° Beam Spread	F1 2-Wire Forward Phase 120 V~	B2 14 in to 24 in (356 mm to 610 mm) Adjustable Bar Hangers	XX Standard	R04A4 Trimmed Square Downlight with Adapter ³	MW Matte White	FG Frosted Glass	XX None (Standard)
FDZ4SI Finire 4 in Trimless IC Square Downlight	2S 18 W 1000 lm 83 CRI ^{1,2}	30 3000 K	36 36° Beam Spread ⁴	E1 EcoSystem 120 V~ ⁸		10 1 in (25 mm)	R4004 Trim Square Pin Hole Downlight ³	BL Matte Black	SO Micro Prism Solite™	WL Wet Location ⁵
	2A 20 W 850 lm 97 CRI ^{1,2}	35 3500 K	40 40° Beam Spread	E7 EcoSystem 277 V~ ⁸		15 1.5 in (38 mm)	Z04A4 Trimless Square Downlight with Adapter ⁶	SG Stainless ⁷	CG Clear Glass	FQ Square Frosted Glass ^{3,4}
			50 50° Beam Spread			20 2 in (51 mm)		RB Bronze ⁷		

¹ All Lumen and CRI values typical. Typical Lumen values are derived from Downlight photometric data.

² Adjustable fixtures in the Wall Wash position may have lower Lumen output. See photometric table for exact Lumen output.

³ Applicable to FDT4SI series only.

⁴ Available in the 2S LED type only.

⁵ For use in covered interior ceilings only.

⁶ Applicable to FDZ4SI series only.

⁷ Metallic Paint.

⁸ Hi-lume™ 1% EcoSystem LED driver with Soft-on, Fade-to-Black technology.

⁹ Decorative trim.

NOTES:

Housing and trim assemblies can be purchased or shipped separately.

Additional options available:

- 4000 K CCT
- Custom options

Not for use in Quebec.

For more information, please contact Fixture Customer Service at fixtures@lutron.com or 610.282.7472.

For Title 24 compliant model numbers or for more information, please contact Fixture Customer Service at fixtures@lutron.com or 610.282.7472.



PHOTOMETRIC DATA

	97 CRI / R9 = 95			
LED TYPE	2A	1A		
BEAM ANGLE	40°	40°		
MODEL NUMBER	FD_4S_2A2740	FD_4S_1A2740		
LIGHT OUTPUT (lm)	645	524		
WATTAGE (W)	18.6*	14.4*		
EFFICACY (lm/W)	34.8*	36.4*		
COLOR ACCURACY CRI	97.2	97.2		
COLOR TEMPERATURE	2700 K	2700 K		
CANDELA PLOT (NADIR)				
MULTIPLE UNITS				
H = DISTANCE FROM CEILING	Nadir (fc)	50% Lighted Diameter (ft)	Nadir (fc)	50% Lighted Diameter (ft)
4 ft (1.22 m)	74.3	3.1	60.3	3.1
6 ft (1.83 m)	33.0	4.6	26.8	4.6
8 ft (2.44 m)	18.6	6.2	15.1	6.2
10 ft (3.05 m)	11.9	7.7	9.6	7.7
12 ft (3.66 m)	8.3	9.3	6.7	9.3
14 ft (4.27 m)	6.1	10.8	4.9	10.8
16 ft (4.88 m)	4.6	12.3	3.8	12.3

Lens Efficiency	CLEAR GLASS	SOLITE™	FROSTED GLASS			
	100%	98%	86%			
Trim Color Efficiency	WHITE	BLACK	STAINLESS	BRONZE	CLEAR ALZAK®	WHEAT ALZAK®
	100%	75%	85%	78%	99%	94%
Color Temperature Efficiency	2700 K	3000 K	3500 K			
	86%	93%	100%			

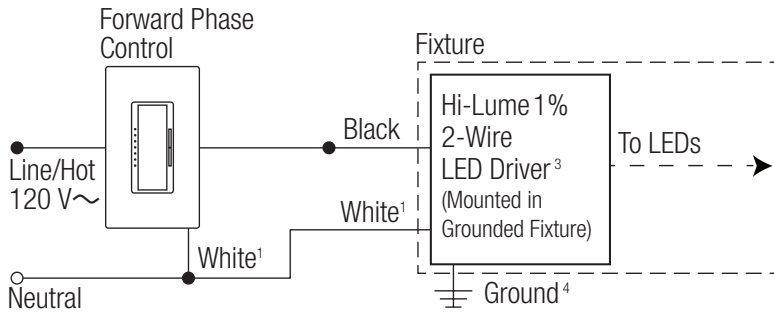
NOTE: There will be an 15% increase in light output when using the 36° reflector compared to the 30°, 40°, and 50° reflectors.

* Power measurements are taken from an IC fixture input power. Non-IC fixture input power is approximately 2 W greater than the IC fixture input power due to a thermal protection device.

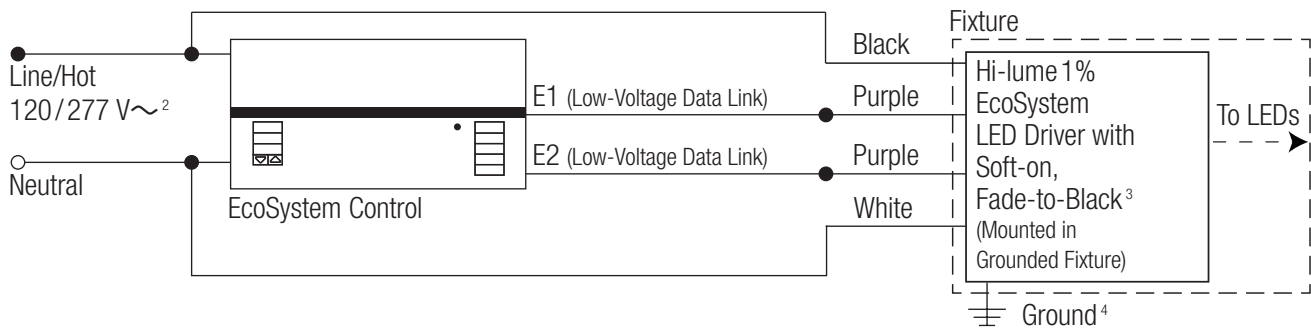


CIRCUIT DIAGRAMS

2-WIRE FORWARD PHASE CONTROL (120 V~ ONLY)



EcoSystem DIGITAL CONTROL (120/277 V~)



¹ Neutral may be optional for certain control types. See product specification submittal for specific wiring diagrams.

² Refer to the specific Lutron® control specifications for exact input voltage rating of the product.

³ 40 W maximum rated drivers.

⁴ Ensure that both ground wires are connected in the junction box.

- Contact Fixture Customer Service for custom mounting options at fixtures@lutron.com
- For a list of compatible controls and control ratings, visit www.lutron.com/finire or contact the LED Control Center of Excellence at 1.877.DIM.LED8 or leds@lutron.com



Lutron, Lutron, EcoSystem, IVALO, IVALO Lighting, Hi-lume, HomeWorks, and Finiré are trademarks of Lutron Electronics Co., Inc. registered in the U.S. and other countries. Lutron Ivalo Collection and Soft-on, Fade-to-Black are trademarks of Lutron Electronics Co., Inc. UL is a trademark of UL LLC.

NEC is a registered trademark of National Fire Protection Association, Quincy, Massachusetts.

SOLITE is a trademark of Solite Innovations LLC.

Alzak is a registered trademark of Alcoa.

©2012-2019 Lutron Electronics Co., Inc.

Lutron Electronics Co., Inc.

7200 Suter Road, Coopersburg, PA 18036

Telephone 610.282.7472 Fax 610.282.7600

fixtures@lutron.com

For limited 10-year warranty details, see

www.lutron.com/TechnicalDocumentLibrary/3683454.pdf

Specification subject to change without notice.