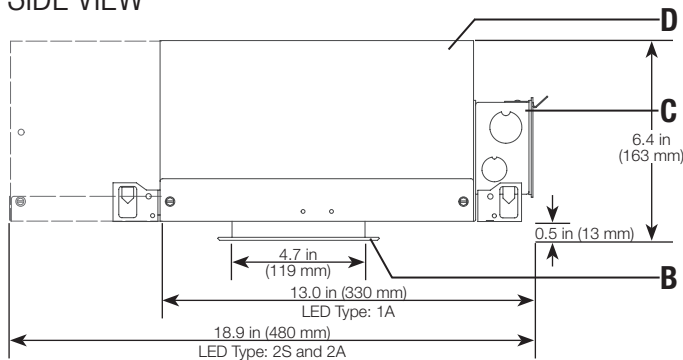




### DIMENSIONS

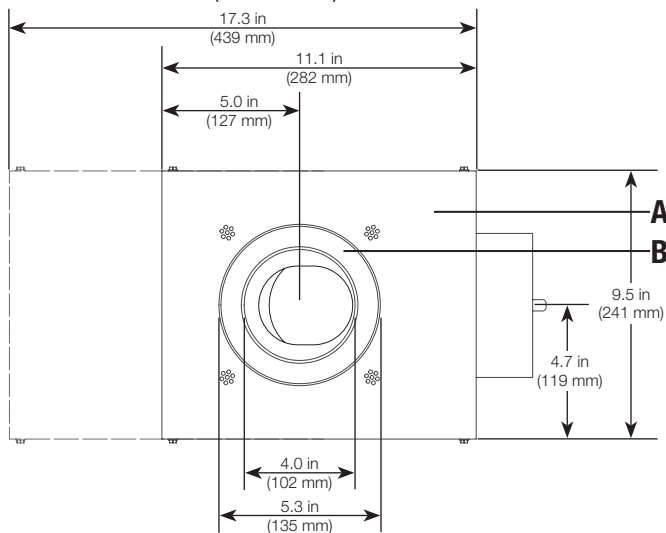
#### SIDE VIEW



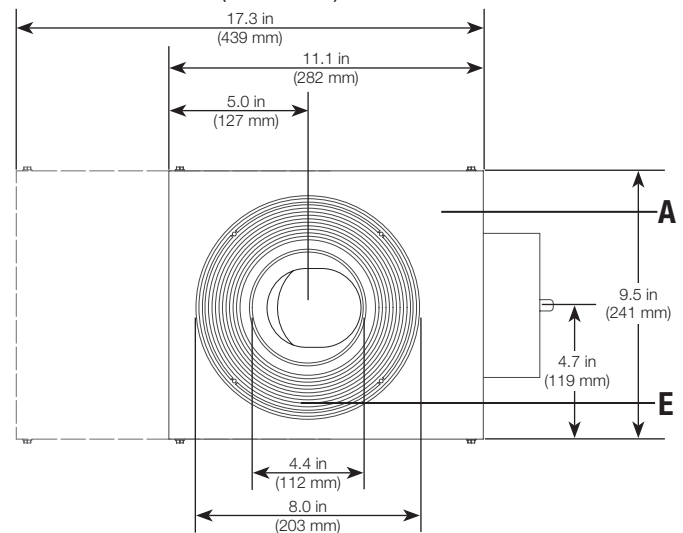
A	Frame
B	Trim
C	Junction Box
D	IC Housing
E	Mud Ring <sup>1</sup>

*Lutron Hi-lume 1% LED Driver not shown*

#### BOTTOM VIEW (Trimmed)



#### BOTTOM VIEW (Trimless)



### PRINCIPAL FEATURES

- Xicato LEDs: 83 CRI (typical) or 97 CRI, R9=95 (typical).
- 50,000 hours rated LED system life (LED and driver) at 77 °F (25 °C) ambient.
- Powerful adjustable LED module in efficient trim with excellent cutoff.
- Standard Lutron Hi-lume 1% LED Driver delivers continuous, flicker-free dimming from 100% down to 1% of measured light output.
- Hi-lume 1% EcoSystem LED Driver features Soft-on, Fade-to-Black technology.<sup>2</sup>
- 30°, 36°, 40° and 50° beam angles available.
- Fixed 30° wall wash angle.
- Trim supports a variety of lens/accessory options.
- IC fixtures must be used for installations containing insulating materials. Non-IC fixtures cannot be used in this type of application.
- IC fixtures meet airtight and Chicago plenum construction requirements for 2.0 CFM or less air leakage.
- Frame constructed of 20 gauge steel.
- UL<sup>®</sup> and cUL Listed.
- Supplied with 14 in to 24 in (356 mm to 610 mm) adjustable bar hangers.
- Housings finished with reclaimed black powder coat.
- Adjustable mounting brackets can be mounted on any side of the fixture.
- Field replaceable components:
  - Beam angle reflector
  - Lutron LED driver
  - LED module with integrated heat sink
  - Decorative trim/lens
- 2-wire forward phase controls are generally for residential applications. EcoSystem controls are generally for commercial applications.

### SPECIFICATIONS

- **Operating Temperature:** 32 °F to 104 °F (0 °C to 40 °C)
- **Decibel Rating:** Quiet in a 25 dB room
- **Max Ceiling Thickness:** 2.0 in (50 mm)
- **Mud Ring Thickness<sup>1</sup>:** 0.125 in (3 mm)
- **Ceiling Cutout:**  $\varnothing$  4.8 in ( $\varnothing$  122 mm)
- **Fixture Weight:** 4.0 lb (1.8 kg)
- **Fixture Size (by LED Type):**
  - 1A: 13.0 in x 9.5 in x 6.4 in (330 mm x 241 mm x 163 mm)
  - 2S and 2A: 18.9 in x 9.5 in x 6.4 in (480 mm x 241 mm x 163 mm)
- **Junction Box Size:** 4.9 in x 3.1 in x 1.75 in (124 mm x 79 mm x 44 mm). See NEC<sup>®</sup> chart 314.16A for box fill/wiring capacity.

### COMPATIBLE CONTROLS

Visit [www.lutron.com/finire](http://www.lutron.com/finire)

<sup>1</sup> Mud ring is for trimless fixtures only.

<sup>2</sup> PWM dimming below 5% for Hi-lume 1% EcoSystem drivers.



### ORDERING GUIDES

#### BASE UNIT CONFIGURATION

Select appropriate code in each column to complete model number.

Example:

FWT4RI    1A    35    40    F1    B2    XX    -    R4966    MW    SO    XX

SERIES	LED TYPE	TEMP	BEAM	CONTROL	HANGING	CEILING	TRIM	FINISH	LENS	OPTIONS
<b>FWT4RI</b> Finire 4 in Trimmed IC Wall Wash	<b>1A</b> 17 W 700 lm 97 CRI <sup>1,2</sup>	<b>27</b> 2700 K	<b>30</b> 30° Beam Spread	<b>F1</b> 2-Wire Forward Phase 120 V~	<b>B2</b> 14 in to 24 in (356 mm to 610 mm) Adjustable Bar Hangers	<b>XX</b> Standard	<b>R4966</b> Trimmed Round Wall Wash	<b>MW</b> Matte White	<b>FG</b> Frosted Glass	<b>XX</b> None (Standard)
<b>FWZ4RI</b> Finire 4 in Trimless IC Wall Wash	<b>2S</b> 18 W 1000 lm 83 CRI <sup>1,2</sup>	<b>30</b> 3000 K	<b>36</b> 36° Beam Spread <sup>3</sup>	<b>E1</b> EcoSystem 120 V~ <sup>9</sup>		<b>10</b> 1 in (25 mm)	<b>Z4966</b> Trimless Round Wall Wash <sup>4</sup>	<b>BL</b> Matte Black	<b>SO</b> Micro Prism Solite™	<b>WL</b> Wet Location <sup>5</sup>
	<b>2A</b> 20 W 850 lm 97 CRI <sup>1,2</sup>	<b>35</b> 3500 K	<b>40</b> 40° Beam Spread	<b>E7</b> EcoSystem 277 V~ <sup>9</sup>		<b>15</b> 1.5 in (38 mm)		<b>SG</b> Stainless <sup>6</sup>	<b>CG</b> Clear Glass	<b>TF</b> Round Center Frosted Glass <sup>7,8</sup>
			<b>50</b> 50° Beam Spread			<b>20</b> 2 in (51 mm)		<b>RB</b> Bronze <sup>6</sup>		
								<b>CL</b> Clear Bright Alzak® <sup>10</sup>		
								<b>WE</b> Wheat Alzak® <sup>10</sup>		

- <sup>1</sup> All Lumen and CRI values typical. Typical Lumen values are derived from Downlight photometric data.
- <sup>2</sup> Wall Wash Lumen output may be lower. See photometric table for exact Lumen output.
- <sup>3</sup> Available in the 2S LED type only.
- <sup>4</sup> Applicable to FWZ4RI series only.
- <sup>5</sup> For use in covered interior ceilings only.
- <sup>6</sup> Metallic Paint.
- <sup>7</sup> Applicable to FWT4RI series only.
- <sup>8</sup> Decorative trim.
- <sup>9</sup> Hi-lume® EcoSystem LED driver with Soft-on, Fade-to-Black technology.
- <sup>10</sup> White Flange is standard for the Clear Bright Alzak® and Wheat Alzak® finishes.

**NOTES:**

Housing and trim assemblies can be purchased or shipped separately.

Additional options available:

- 4000 K CCT
- Custom options

Not for use in Quebec.

For more information, please contact Fixture Customer Service at [fixtures@lutron.com](mailto:fixtures@lutron.com) or 610.282.7472.

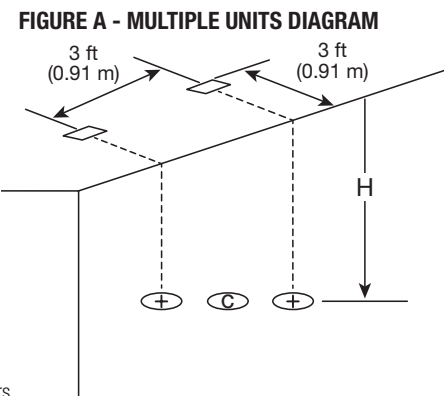
For Title 24 compliant model numbers or for more information, please contact Fixture Customer Service at [fixtures@lutron.com](mailto:fixtures@lutron.com) or 610.282.7472.



### PHOTOMETRIC DATA

		97 CRI / R9 = 95				
LED TYPE	2A	1A				
BEAM ANGLE	40°	40°				
MODEL NUMBER	FW_4R_2A2740	FW_4R_1A2740				
LIGHT OUTPUT (lm)	818	652				
WATTAGE (W)	18.4*	14.3*				
EFFICACY (lm/W)	44.5*	45.8*				
COLOR ACCURACY CRI	97.3	97.3				
COLOR TEMPERATURE	2700 K	2700 K				
CANDELA PLOT (NADIR)						
MULTIPLE UNITS	<b>FOOTCANDLES (fc) ON WALL (FIGURE A)</b>					
H = DISTANCE FROM CEILING						
4 ft (1.22 m)	21	18	21	17	16	17
6 ft (1.83 m)	18	23	18	14	18	14
8 ft (2.44 m)	11	13	11	9	10	9
10 ft (3.05 m)	7	8	7	5	6	6
12 ft (3.66 m)	4	5	4	3	4	3
14 ft (4.27 m)	3	3	3	2	3	2
16 ft (4.88 m)	2	2	2	1	2	1

Lens Efficiency	CLEAR GLASS	SOLITE™	FROSTED GLASS			
	100%	98%	86%			
Trim Color Efficiency	WHITE	BLACK	STAINLESS STEEL	BRONZE	CLEAR ALZAK®	WHEAT ALZAK®
	100%	75%	85%	78%	99%	94%
Color Temperature Efficiency	2700 K	3000 K	3500 K			
	86%	93%	100%			



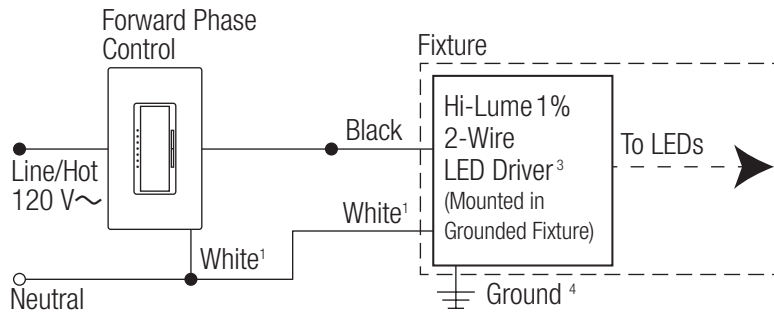
**NOTE:** There will be an 15% increase in light output when using the 36° reflector compared to the 30°, 40°, and 50° reflectors.

\* Power measurements are taken from an IC fixture input power. Non-IC fixture input power is approximately 2 W greater than the IC fixture input power due to a thermal protection device.

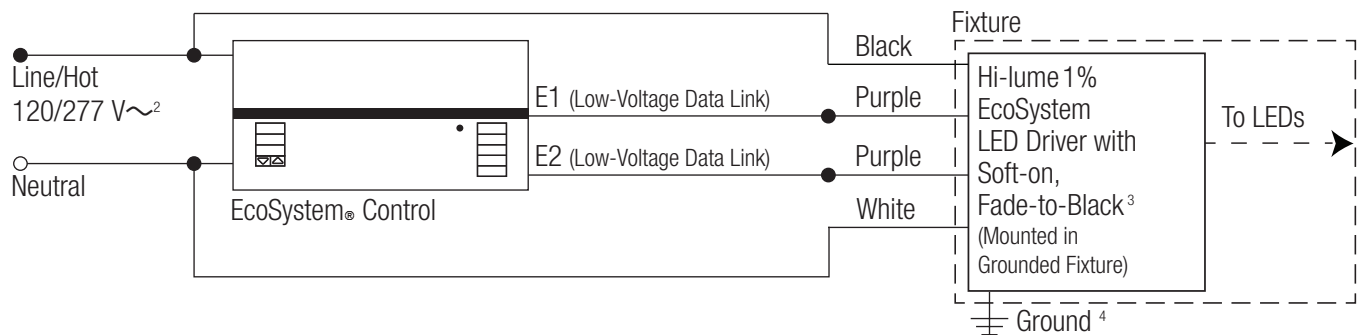


### CIRCUIT DIAGRAMS

#### 2-WIRE FORWARD PHASE CONTROL (120 V~ ONLY)



#### EcoSystem DIGITAL CONTROL (120 / 277 V~)



<sup>1</sup> Neutral may be optional for certain control types. See product specification submittal for specific wiring diagrams.

<sup>2</sup> Refer to the specific Lutron® control specifications for exact input voltage rating of the product.

<sup>3</sup> 40 W maximum rated drivers.

<sup>4</sup> Ensure that both ground wires are connected in the junction box.

- Contact Fixture Customer Service for custom mounting options at [fixtures@lutron.com](mailto:fixtures@lutron.com)
- For a list of compatible controls and control ratings, visit [www.lutron.com/finire](http://www.lutron.com/finire) or contact the LED Control Center of Excellence at 1.877.DIM.LED8 or [leds@lutron.com](mailto:leds@lutron.com)



Lutron Electronics Co., Inc.  
 7200 Suter Road, Coopersburg, PA 18036  
 Telephone 610.282.7472 Fax 610.282.7600  
[fixtures@lutron.com](mailto:fixtures@lutron.com)

For limited 10-year warranty details, see  
[www.lutron.com/TechnicalDocumentLibrary/3683454.pdf](http://www.lutron.com/TechnicalDocumentLibrary/3683454.pdf)

Specification subject to change without notice.

• Lutron, Lutron, EcoSystem, IVALO, IVALO Lighting, Hi-Lume, HomeWorks, and Finiré are trademarks of Lutron Electronics Co., Inc. registered in the U.S. and other countries. Lutron Ivalo Collection and Soft-on, Fade-to-Black are trademarks of Lutron Electronics Co., Inc. UL is a trademark of UL LLC.  
 NEC is a registered trademark of National Fire Protection Association, Quincy, Massachusetts.  
 SOLITE is a trademark of Solite Innovations LLC.  
 Alzak is a registered trademark of Alcoa.  
 ©2012-2019 Lutron Electronics Co., Inc.