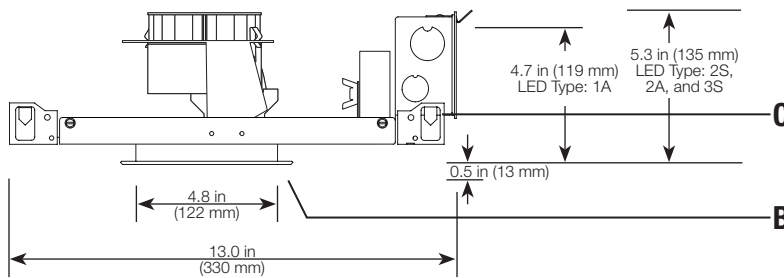




DIMENSIONS

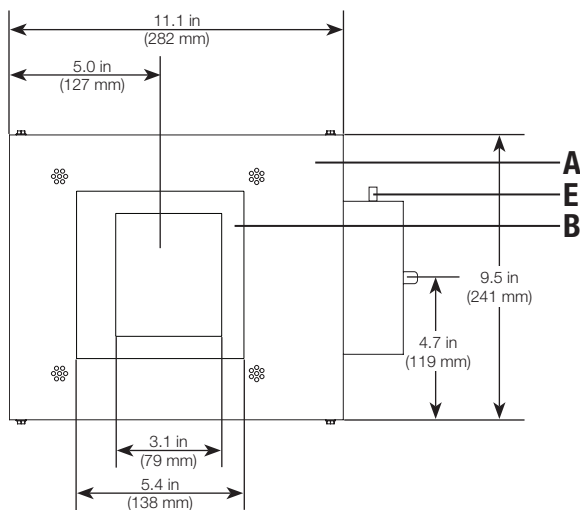
SIDE VIEW



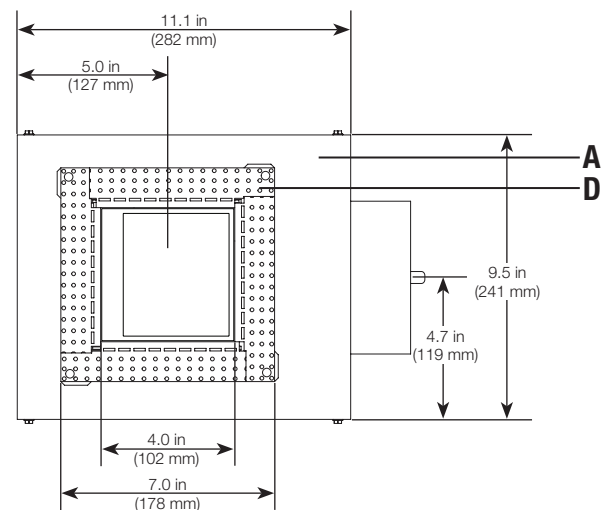
A	Frame
B	Trim
C	Junction Box
D	Mud Ring ¹
E	Thermal Protection

Lutron Hi-lume 1% LED Driver not shown

BOTTOM VIEW (Trimmed)



BOTTOM VIEW (Trimless)



PRINCIPAL FEATURES

- Xicato LEDs: 83 CRI (typical) or 97 CRI, R9=95 (typical).
- 50,000 hours rated LED system life (LED and driver) at 77 °F (25 °C) ambient.
- Powerful LED module in elegant square trim with excellent cutoff.
- Standard Lutron Hi-lume 1% LED Driver delivers continuous, flicker-free dimming from 100% down to 1% of measured light output.
- Hi-lume 1% EcoSystem LED Driver features Soft-on, Fade-to-Black technology.²
- 30°, 36°, 40° and 50° beam angles available.
- Fixed 30° wall wash angle.
- Trim supports a variety of lens/accessory options.
- IC fixtures must be used for installations containing insulating materials. Non-IC fixtures cannot be used in this type of application.
- Frame constructed of 20 gauge steel.
- Supplied with 14 in to 24 in (356 mm to 610 mm) adjustable bar hangers.
- UL® and cUL Listed.
- Fixed 30° wall wash angle.
- Housings finished with reclaimed black powder coat.
- Thermal protection device standard.
- Adjustable mounting brackets can be mounted on any side of the fixture.
- Field replaceable components:
 - Beam angle reflector
 - Lutron LED driver
 - LED module with integrated heat sink
 - Decorative trim/lens
- 2-wire forward phase controls are generally for residential applications. EcoSystem controls are generally for commercial applications.

SPECIFICATIONS

- **Operating Temperature:** 32 °F to 104 °F (0 °C to 40 °C)
- **Decibel Rating:** Quiet in a 25 dB room
- **Max Ceiling Thickness:** 2.0 in (50 mm)
- **Mud Ring Thickness¹:** 0.125 in (3 mm)
- **Ceiling Cutout:** 4.9 in x 4.9 in (124 mm x 124 mm)
- **Fixture Weight:** 4.0 lb (1.8 kg)
- **Fixture Size (by LED Type):**
 - 1A: 13.0 in x 9.5 in x 4.7 in (330 mm x 241 mm x 119 mm)
 - 2S, 2A, and 3S: 13.0 in x 9.5 in x 5.3 in (330 mm x 241 mm x 135 mm)
- **Junction Box Size:** 4.9 in x 3.1 in x 1.75 in (124 mm x 79 mm x 44 mm). See NEC® chart 314.16A for box fill/wiring capacity.

COMPATIBLE CONTROLS

Visit www.lutron.com/finire

¹ Mud ring is for trimless fixtures only.

² PWM dimming below 5% for Hi-lume 1% EcoSystem drivers.



ORDERING GUIDES

BASE UNIT CONFIGURATION

Select appropriate code in each column to complete model number.

Example:

FWT4SN 1A 35 40 F1 B2 XX - R0104 MW S0 XX

SERIES	LED TYPE	TEMP	BEAM	CONTROL	HANGING	CEILING	TRIM	FINISH	LENS	OPTIONS
FWT4SN Finire 4 in Trimmed Non-IC Square Wall Wash	1A 17 W 700 lm 97 CRI ^{1,2}	27 2700 K	30 30° Beam Spread	F1 2-Wire Forward Phase 120 V~	B2 14 in to 24 in (356 mm to 610 mm) Adjustable Bar Hangers	XX Standard	R0104 Trimmed Square Wall Wash ³	MW Matte White	FG Frosted Glass	XX None (Standard)
FWZ4SN Finire 4 in Trimless Non-IC Square Wall Wash	2S 18 W 1000 lm 83 CRI ^{1,2}	30 3000 K	36 36° Beam Spread ⁴	E1 EcoSystem 120 V~ ⁹		10 1 in (25 mm)	Z0104 Trimless Square Wall Wash ⁵	BL Matte Black	S0 Micro Prism Solite™	WL Wet Location ⁶
	2A 20 W 850 lm 97 CRI ^{1,2}	35 3500 K	40 40° Beam Spread	E7 EcoSystem 277 V~ ⁹		15 1.5 in (38 mm)		SG Stainless ⁷	CG Clear Glass	FQ Square Frosted Glass ^{3,8}
	3S 35 W 2000 lm 83 CRI ^{1,2,10}		50 50° Beam Spread			20 2 in (51 mm)	RB Bronze ⁷			

¹ All Lumen and CRI values typical. Typical Lumen values are derived from downlight photometric data.

² Wall Wash Lumen output may be lower. See photometric table for exact Lumen output.

³ Applicable to FWT4SN series only.

⁴ Available in 2S and 3S LED types only.

⁵ Applicable to FWZ4SN series only.

⁶ For use in covered interior ceilings only.

⁷ Metallic Paint.

⁸ Decorative trim.

⁹ Hi-lume 1% EcoSystem LED driver with Soft-on, Fade-to-Black technology.

¹⁰ Non-IC housing type only.

NOTES:

Housing and trim assemblies can be purchased or shipped separately.

Additional options available:

- 4000 K CCT
- Custom options

Not for use in Quebec.

For more information, please contact Fixture Customer Service at fixtures@lutron.com or 610.282.7472.

For more information, please contact Fixture Customer Service at fixtures@lutron.com or 610.282.7472.

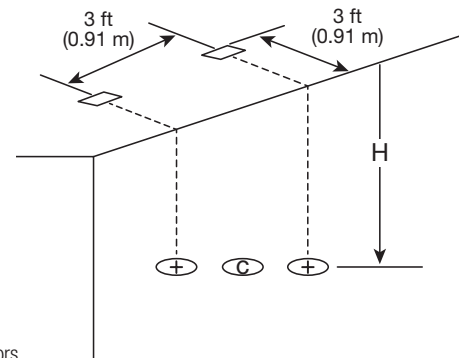


PHOTOMETRIC DATA

		97 CRI / R9 = 95					
LED TYPE		2A		1A			
BEAM ANGLE		40°		40°			
MODEL NUMBER		FW_4S_2A2740		FW_4S_1A2740			
LIGHT OUTPUT (lm)		818		652			
WATTAGE (W)		18.4*		14.3*			
EFFICACY (lm/W)		44.5*		45.8*			
COLOR ACCURACY CRI		97.3		97.3			
COLOR TEMPERATURE		2700 K		2700 K			
CANDELA PLOT (NADIR)							
	0° plane 45° plane 90° plane						
MULTIPLE UNITS		FOOTCANDLES (fc) ON WALL (FIGURE A)					
H = DISTANCE FROM CEILING							
4 ft (1.22 m)		21	18	21	17	16	17
6 ft (1.83 m)		18	23	18	14	18	14
8 ft (2.44 m)		11	13	11	9	10	9
10 ft (3.05 m)		7	8	7	5	6	6
12 ft (3.66 m)		4	5	4	3	4	3
14 ft (4.27 m)		3	3	3	2	3	2
16 ft (4.88 m)		2	2	2	1	2	1

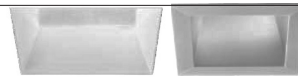
Lens Efficiency	CLEAR GLASS	SOLITE™	FROSTED GLASS			
	100%	98%	86%			
Trim Color Efficiency	WHITE	BLACK	STAINLESS STEEL	BRONZE	CLEAR ALZAK®	WHEAT ALZAK®
	100%	75%	85%	78%	99%	94%
Color Temperature Efficiency	2700 K	3000 K	3500 K			
	86%	93%	100%			

FIGURE A - MULTIPLE UNITS DIAGRAM



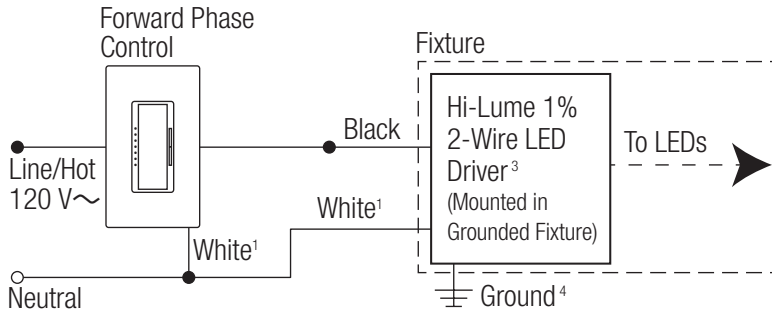
NOTE: There will be an 15% increase in light output when using the 36° reflector compared to the 30°, 40°, and 50° reflectors.

* Power measurements are taken from an IC fixture input power. Non-IC fixture input power is approximately 2 W greater than the IC fixture input power due to a thermal protection device.

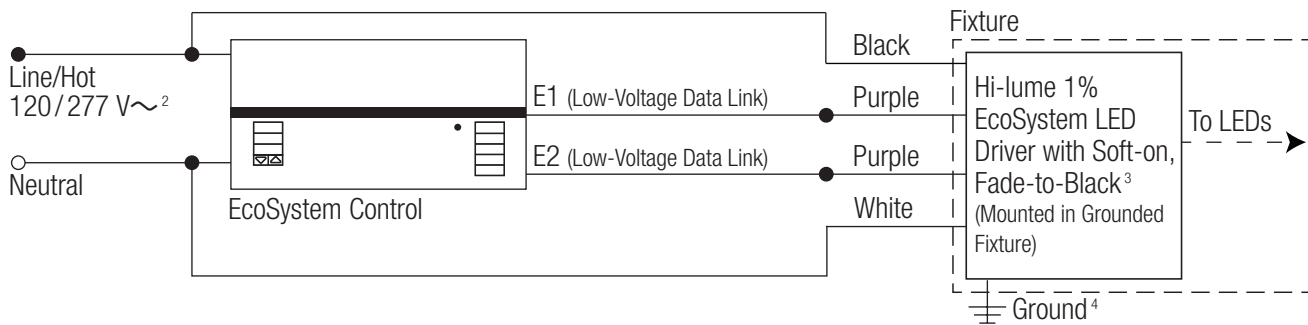


CIRCUIT DIAGRAMS

2-WIRE FORWARD PHASE CONTROL (120 V~ ONLY)



EcoSystem DIGITAL CONTROL (120/277 V~)



¹ Neutral may be optional for certain control types. See product specification submittal for specific wiring diagrams.

² Refer to the specific Lutron control specifications for exact input voltage rating of the product.

³ 40 W maximum rated drivers.

⁴ Ensure that both ground wires are connected in the junction box.

- Contact Fixture Customer Service for custom mounting options at fixtures@lutron.com
- For a list of compatible controls and control ratings, visit www.lutron.com/finire or contact the LED Control Center of Excellence at 1.877.DIM.LED8 or leds@lutron.com



Lutron, Lutron, EcoSystem, IVALO, IVALO Lighting, Hi-lume, HomeWorks, and Finiré are trademarks of Lutron Electronics Co., Inc. registered in the U.S. and other countries. Lutron Ivalo Collection and Soft-on, Fade-to-Black are trademarks of Lutron Electronics Co., Inc. UL is a trademark of UL LLC.

NEC is a registered trademark of National Fire Protection Association, Quincy, Massachusetts.

SOLITE is a trademark of Solite Innovations LLC.

Alzak is a registered trademark of Alcoa.

©2012-2019 Lutron Electronics Co., Inc.

Lutron Electronics Co., Inc.

7200 Suter Road, Coopersburg, PA 18036

Telephone 610.282.7472 Fax 610.282.7600

fixtures@lutron.com

For limited 10-year warranty details, see

www.lutron.com/TechnicalDocumentLibrary/3683454.pdf

Specification subject to change without notice.