

New! Sivoia® QS Wireless Drapery Lite

Elegant motion at the touch of a button



High-quality and cost-effective

Introducing the new Sivoia QS Wireless Drapery Lite, a luxury product at an affordable price from the world leader in automated shading and lighting control.

Effortless operation

Enjoy full control at the touch of a button using a wireless remote control, a mobile app, or a keypad from any of Lutron's home automation systems.

Quiet, smooth performance

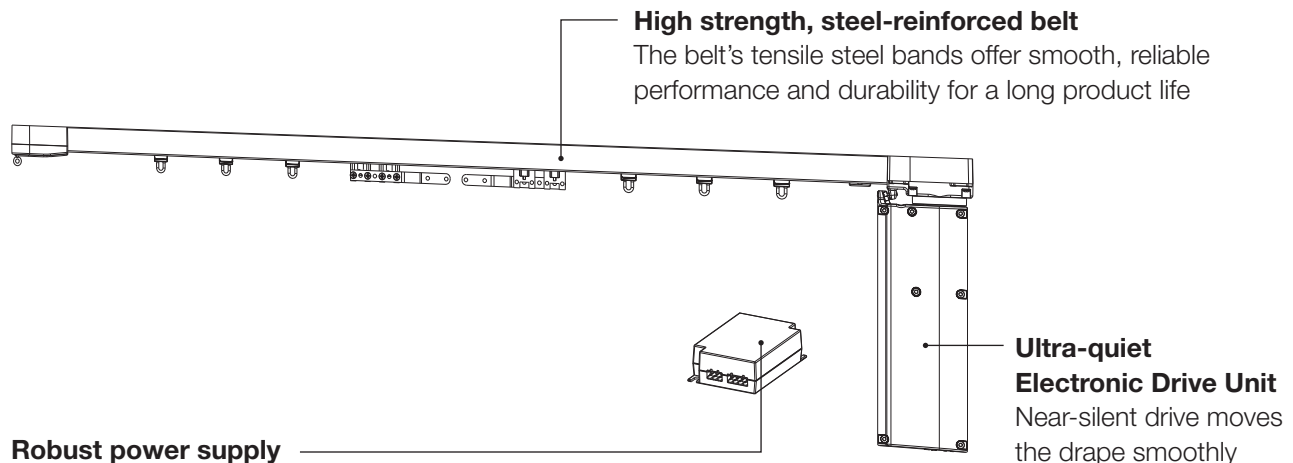
Sivoia QS Wireless Drapery Lite offers Lutron's hallmark smooth performance and ultra-quiet drive.

Easy installation and minimal programming

Simply mount your brackets, attach the track and drive, and plug in for power. The drapery will automatically set its limits; once you assign a remote control you can easily program a preset.

System features

The new Sivoia® QS Wireless Drapery Lite features Lutron's superior technology and engineering – your product works the first time, every time.



Reliable, long-lasting power source with Electrostatic Discharge (ESD) immunity >16 kV and surge immunity up to 6kV. This power supply is designed to protect devices in excess of 10 years, even under the most demanding conditions.

Control options	Pico® wireless control, 4-group RF remote, and integration with all Lutron home systems
Power supply	Comes packaged with a 6' 24V plug-in power supply
Power failure mode	Draper can be moved manually in event of a power outage
Pleat styles	Pinchpleat
Track colors	White, Bronze, Silver
Track options	Straight tracks up to 16'
Mounting options	Ceiling Mount, Flush Mount, Wall Mount, Dual Wall Mount
Drive capacity	105 lbs

* Splicing not available

www.lutron.com/shadingsolutions



World Headquarters 1.610.282.3800
 Technical Support 1.800.523.9466
 Customer Service/Quotes 1.800.446.1503
 Email: shadinginfo@lutron.com

