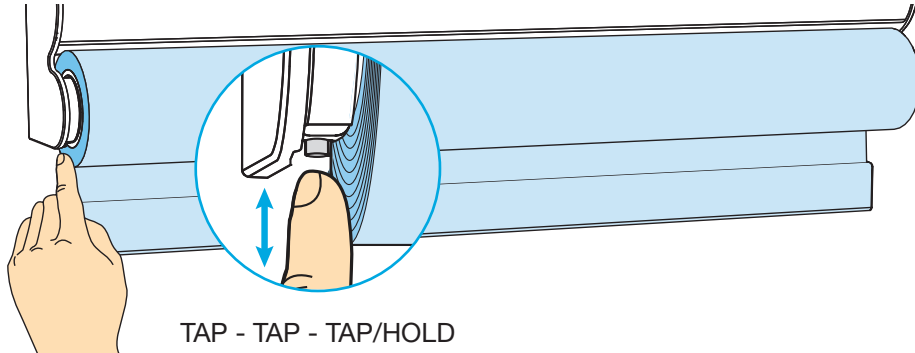


Removing Paired Devices from a Roller Shade

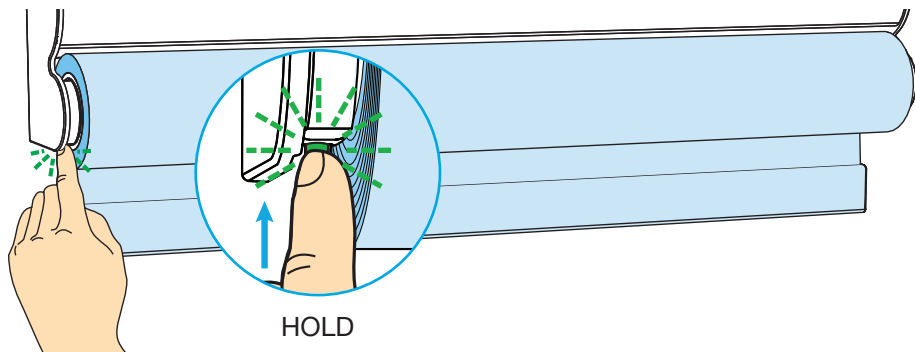
Roller Shades with a Single Button (Battery-Powered and Plug-In)

NOTE: This procedure will remove all paired Pico® remote controls and favorite button programming. Upper and lower limits are retained.

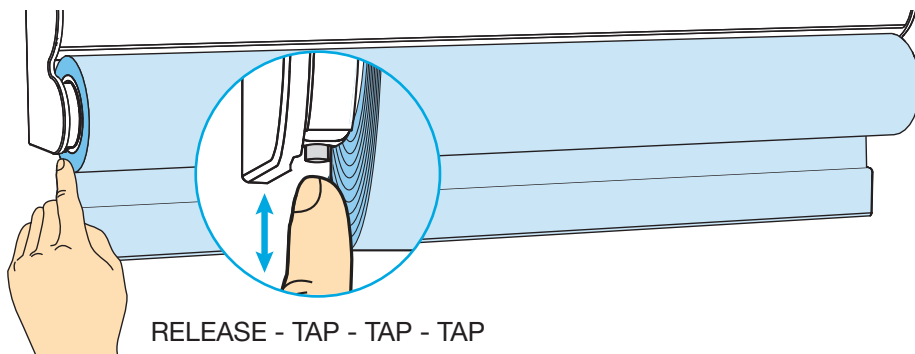
1 Tap the shade button quickly 3 times, holding on the last press.



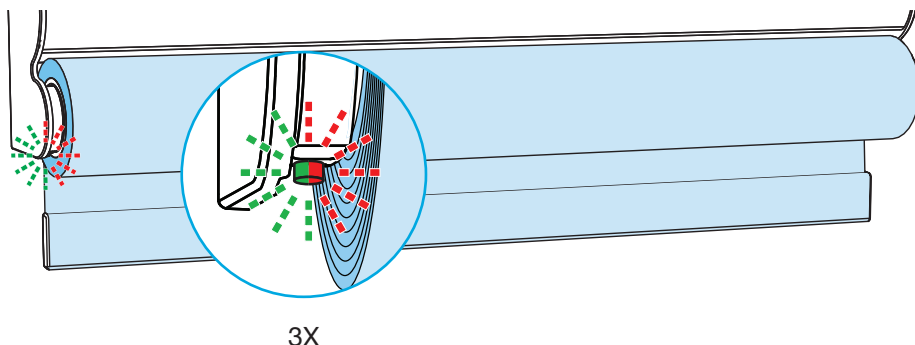
2 Continue to hold the shade button until the shade button LED flashes green.



3 Release the button, then immediately tap the button 3 more times.



NOTE: The shade button LED will flash GREEN-then-RED 3 times, signaling the successful completion of the procedure.

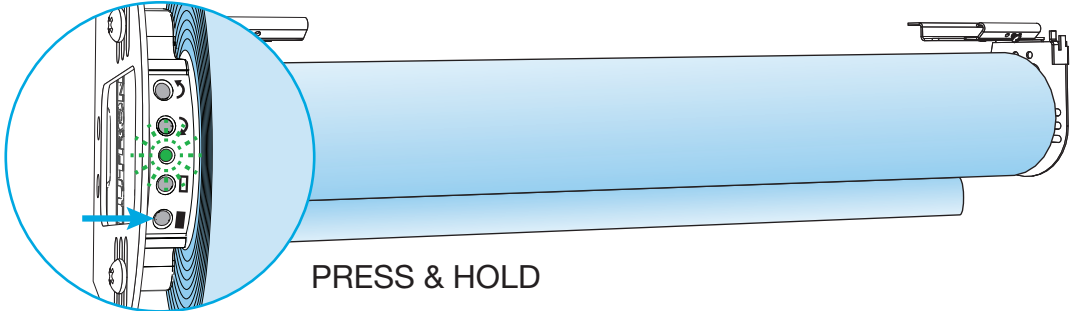


Removing Paired Devices from a Roller Shade

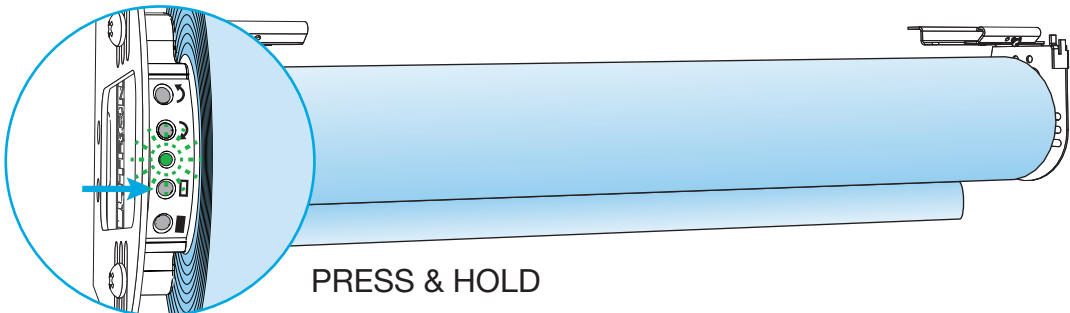
Roller Shades with 4 Buttons

NOTE: This procedure will remove all paired Pico® remote controls and favorite button programming. Upper and lower limits are retained.

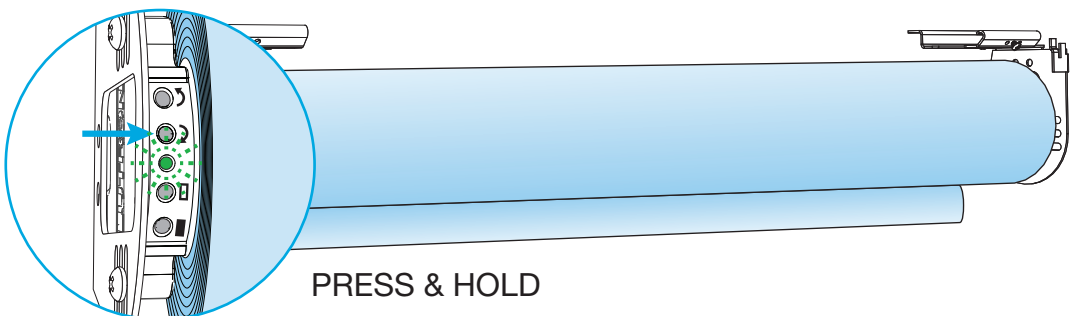
1 Press and hold the Lower Limit button until the green LED flashes. Release.




2 Press and hold the Upper Limit button until the green LED flashes. Release.



3 Press and hold the  button until the green LED flashes. Release.



4 Press and hold the  button until the LED flashes a multicolor sequence, indicating paired devices have been removed. Release.

