

HomeWorks QS RF Hybrid seeTouch® Keypads

HomeWorks QS RF Hybrid Keypads function as a dimmer and keypad combined into a single device. RF Hybrid Keypads are great for retrofit applications because they eliminate the need to install two separate devices.

HomeWorks QS RF Hybrid Keypads have an available neutral wire terminal that allows them to be installed in either two-wire or neutral wire installations. Connecting the neutral wire to a Hybrid Keypad allows a lower minimum load to be used. And, normal keypad operation will be available even if the lighting load is not installed or if the lamp is burned out. If a neutral wire is available in the wallbox it should be connected to the silver terminal on the Hybrid Keypad. If a neutral wire is not available and not desired, then the silver terminal should be tightened without any wires connected to it. RF Hybrid Keypads can be installed in either single location or multi-location (with Remote Dimmer) installations.

HomeWorks QS RF Hybrid Keypads can be controlled as part of a lighting control system and incorporate advanced features such as fade on/fade off and rapid full on.

HomeWorks QS RF Hybrid Keypads feature large, easy-to-use buttons, plus a unique backlit engraving option that makes them readable any time of the day or night. The Hybrid Keypad buttons are rounded, allowing engraving to be displayed at an upward angle, increasing readability. HomeWorks QS RF Hybrid Keypads include a Front Accessible Service Switch (FASS™) for safe lamp replacement.

Use only Lutron® Designer (Claro® or Satin Colors®) wallplates. The mechanical design of the Hybrid Keypad is NOT compatible with non-Lutron wallplates. Wallplates are sold separately. Lutron Claro and Satin Colors wallplates snap on with no visible means of attachment. Replacement Kits are available in a variety of colors and with custom engraving to clearly identify each button's function.

Model Numbers

- HQRD-H6BRL-XX* 6 Button with Raise/Lower Keypad and 450 W Neutral Optional Dimmer (Incandescent/Halogen/Magnetic Low-Voltage)
- RKD-H6BRL-XX*-E Engraved Replacement Kit
- HQD-RD-XX* Remote Dimmer for multi-location installations

*"XX" in the model number represents color/finish code. See **Colors and Finishes** at end of document.



Hybrid Keypad
HQRD-H6BRL shown



Remote Dimmer
HQD-RD shown

HomeWorks QS RF Hybrid seeTouch® Keypads

Specifications

Model Numbers	HQRD-H6BRL-XX; RKD-H6BRL-XX-E (Engraved Replacement Kit); HQD-RD-XX (Remote Dimmer)
Power	120 V~ 50/60 Hz
Typical Power Consumption	0.75 W Test conditions: load is off, all backlights on medium intensity, two status LEDs on (two presets active), keypad powered at 120 V~.
Regulatory Approvals	UL, CSA, NOM, FCC, IC, COFETEL
Environment	Ambient operating temperature: 32 °F to 104 °F (0 °C to 40 °C), 0% to 90% humidity, non-condensing. Indoor use only.
Communications	Hybrid Keypads communicate with the <i>HomeWorks QS</i> system through Radio Frequency (RF) and must be located within 30 ft (9 m) of a repeater. Remote dimmers are not required to be within a specific range of a repeater.
ESD Protection	Tested to withstand electrostatic discharge without damage or memory loss, in accordance with IEC 61000-4-2.
Surge Protection	Tested to withstand surge voltages without damage or loss of operation, in accordance with IEEE C62.41-1991 Recommended Practice on Surge Voltages in Low-Voltage AC Power Circuits.
Power Failure	Power failure memory: should power be interrupted, the control will return to its previous state when power is restored.
Mounting	Requires a U.S. wallbox. 3 ½ in (89 mm) deep recommended, 2 ¼ in (57 mm) deep minimum. If mounting one control above another, leave at least 4 ½ in (114 mm) vertical space between them.
Wiring	Uses conventional 3-way and 4-way wiring.
Warranty	8 Year Limited Warranty. http://www.lutron.com/resiinfo

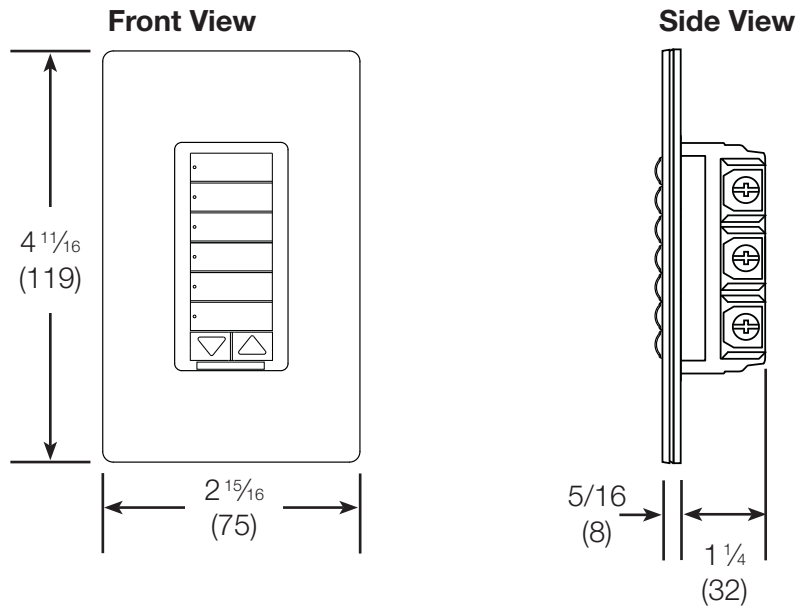
Design Features

- Keypad buttons are programmable to select scene or room preset levels or positions.
- At the press of a keypad button, lights fade ON or OFF to desired levels and shades/draperies open or close to desired positions.
- Adjustable backlight intensity.
- Prepaid engraving included. Redeemable for one engraved Replacement Kit.
- Internal dimmer is assigned to top button by default, but can be reassigned to any button on the Hybrid Keypad. Tap top button to toggle load ON/OFF.
- Internal dimmer can be assigned to any programmable input.
- Can be installed in two-wire or neutral wire applications.
- Can be installed in either single location or multi-location (with Remote Dimmer) installations.

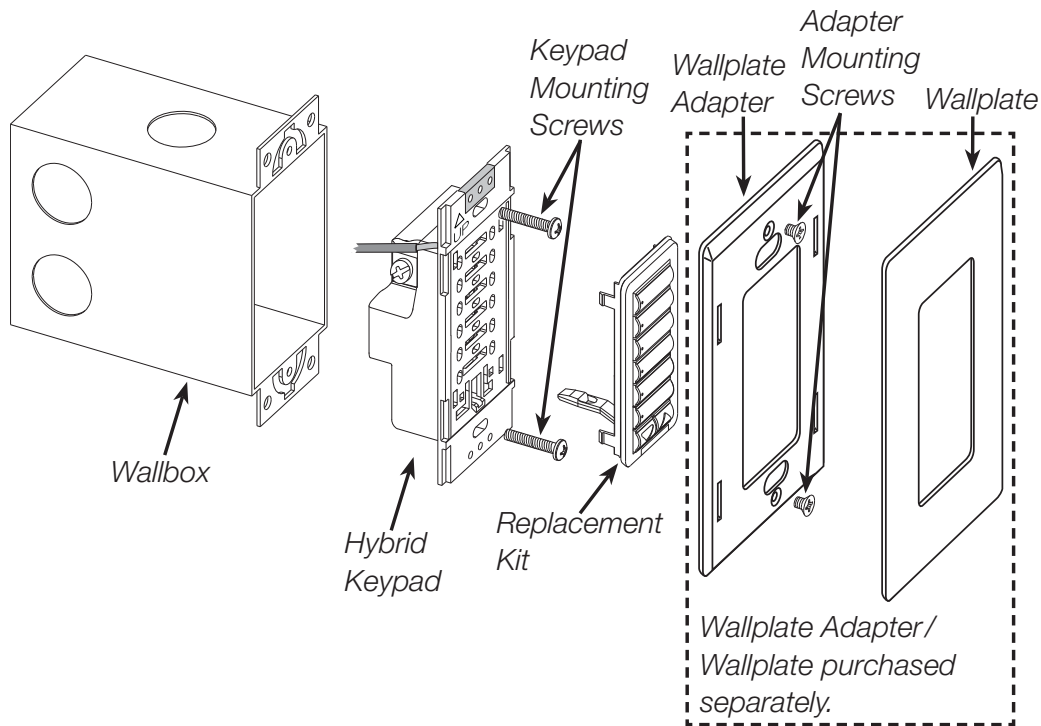
HomeWorks QS RF Hybrid seeTouch® Keypads

Dimensions

All dimensions are shown as $\frac{\text{in}}$
(mm)



Mounting and Parts Identification



HomeWorks QS RF Hybrid seeTouch® Keypads

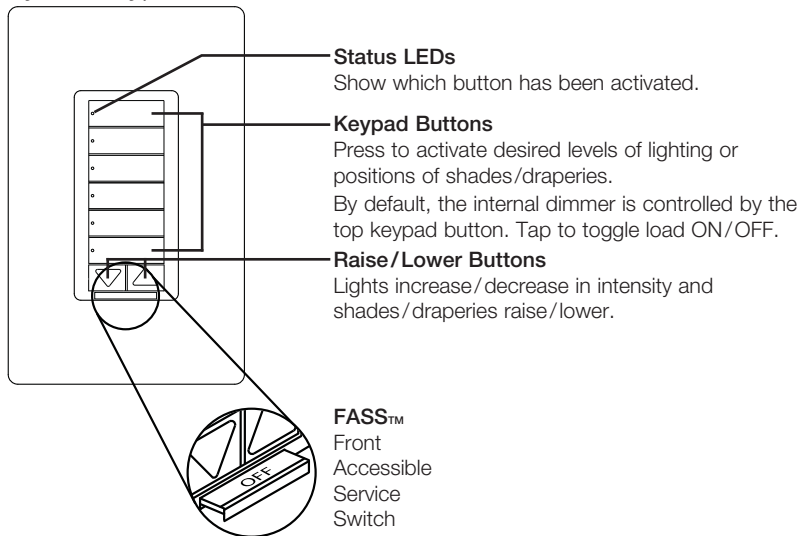
Load Type and Capacity

Load Type	Minimum Load		Not Ganged	End of Gang	Middle of Gang
	With Neutral	Without Neutral			
Incandescent ¹	15 W	50 W	450 W	350 W	250 W
MLV ²	15 W/VA	50 W/VA	350 W/ 450 VA	250 W/ 350 VA	200 W/ 250 VA

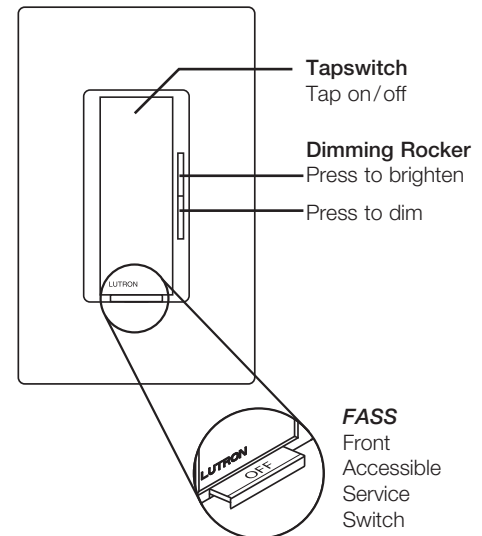
- 1 Load Type: RF Hybrid Keypads are designed for use with permanently installed incandescent, magnetic low-voltage, or tungsten halogen only. To reduce the risk of overheating and possible damage to other equipment, do not install RF Hybrid Keypads to control receptacles or motor-operated appliances.
- 2 Low-Voltage Applications: Use RF Hybrid Keypads with magnetic (core and coil) low-voltage transformers only. Not for use with electronic (solid-state) low-voltage transformers. Operation of a low-voltage circuit with lamps inoperative or removed may result in transformer overheating and premature failure. Lutron strongly recommends the following:
 - Do not operate low-voltage circuits without operative lamps in place.
 - Replace burned-out lamps as quickly as possible.
 - Use transformers that incorporate thermal protection or fused transformer primary windings to prevent transformer failure due to overcurrent.

Operation

Hybrid Keypad



Remote Dimmer



IMPORTANT NOTICE:

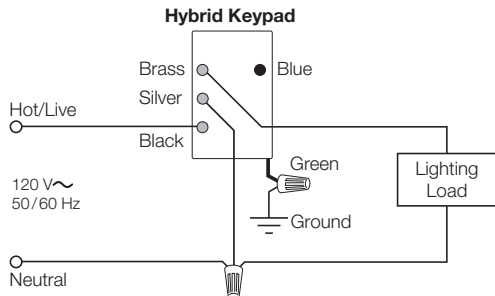
FASS - Front Accessible Service Switch

To replace bulbs, remove power by pulling the FASS out fully on all controlling devices. After replacing bulbs, push every FASS back in fully to restore power to the controls.

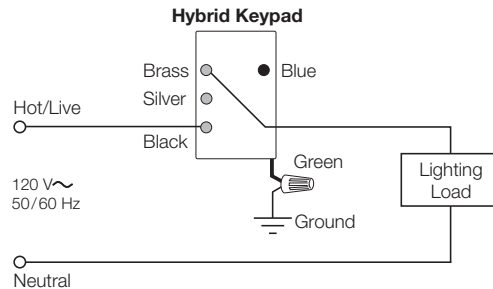
HomeWorks QS RF Hybrid seeTouch® Keypads

Wiring Diagrams

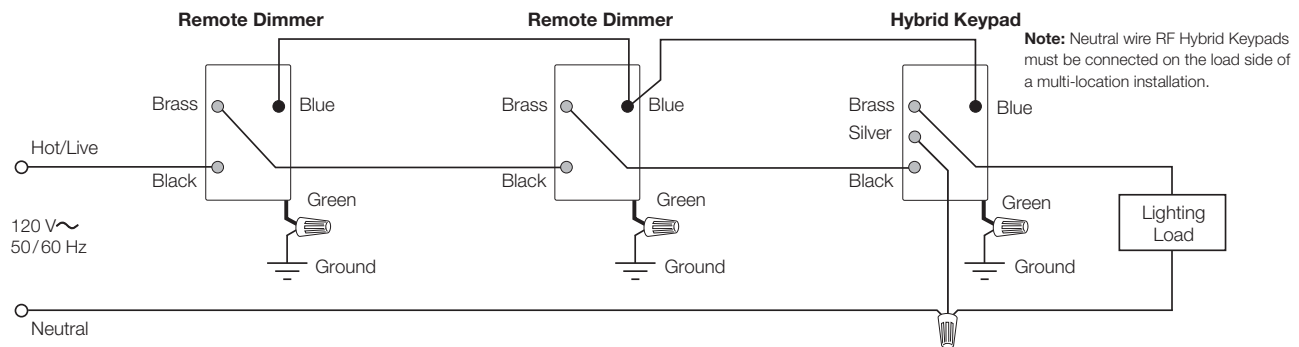
Single Location Installation with Neutral¹



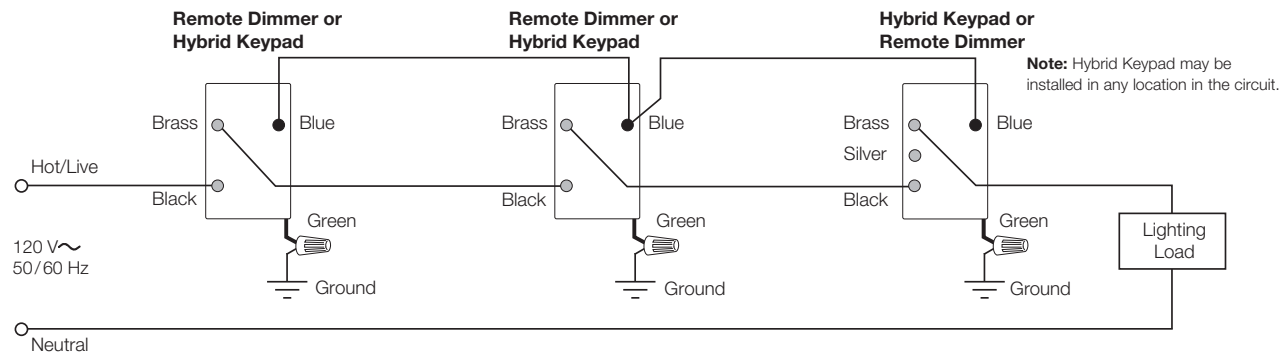
Single Location Installation without Neutral^{1,2}



Multi-Location Installation with Neutral^{3,4}



Multi-Location Installation without Neutral^{2,3}

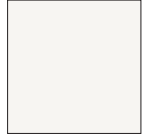


- ¹ When using controls in single location installations, tighten the blue terminal without any wires attached. DO NOT connect the blue terminal to any other wiring or to ground.
- ² In installations without a neutral wire connection, tighten the silver terminal without any wires attached. DO NOT connect the silver terminal to any other wiring or to ground.
- ³ Up to 9 Remote Dimmers may be connected to the Hybrid Keypad. Total blue terminal wire length may be up to 250 ft (76 m).
- ⁴ Neutral wire RF Hybrid Keypads must be connected on the load side of a multi-location installation.

HomeWorks QS RF Hybrid seeTouch[®] Keypads

Colors and Finishes

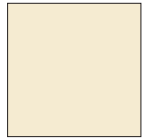
Gloss Finishes



White
WH



Ivory
IV



Almond
AL



Light
Almond
LA



Gray
GR



Brown
BR



Black
BL

Satin Finishes



Hot
HT



Merlot
MR



Plum
PL



Turquoise
TQ



Taupe
TP



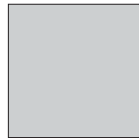
Eggshell
ES



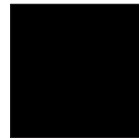
Biscuit
BI



Snow
SW



Palladium
PD



Midnight
MN



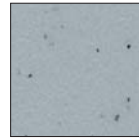
Sienna
SI



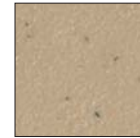
Terracotta
TC



Greenbriar
GB



Bluestone
BG



Mocha
Stone
MS



Goldstone
GS



Desert Stone
DS



Stone
ST



Limestone
LS

- Due to printing limitations, colors and finishes shown cannot be guaranteed to perfectly match actual product colors.

- Color chip keychains are available for more precise color matching:

Gloss Finishes - DG-CK-1

Satin Finishes - SC-CK-1

Metal Finish (wallplate only)



Stainless
Steel SS

When using Stainless Steel wallplates, it is recommended to order the keypad in Midnight (MN).