

Plug-In Dimming Module

The *Stanza* system is an easy-to-install and easy-to-use lighting control system designed especially for hotel guest rooms and similar applications. The system consists of wallbox dimmers, wallbox switches, line-voltage wallbox keypads, low-voltage interfaces, and portable lamp dimmer/switches with local control.

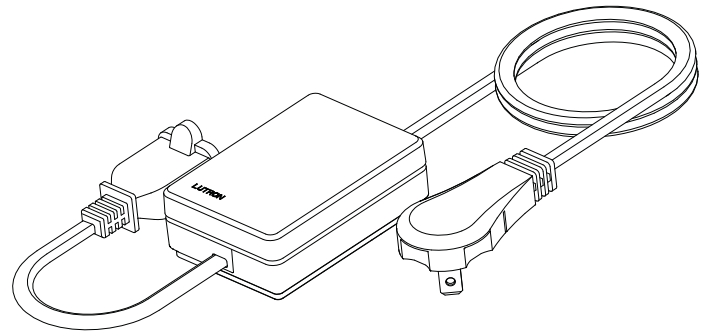
Stanza plug-in dimming modules allow guests to control plug-in table and floor lamps as part of lighting scenes from the keypads.

Features

- Dim or switch incandescent/halogen or magnetic low-voltage lamps. See chart under "Power/Performance" for further details.
- Switch compact fluorescent, fluorescent, or electronic low-voltage lamps. See chart under "Power/Performance" for further details.
- Light level can be adjusted as part of lighting scenes from keypads.
- Adjustable maximum light level provides energy savings and extended bulb life.
- Typical power consumption: 0.3 W (typical test conditions = load off, night light mode enabled).
- Can be hidden discreetly behind furniture.
- Green LED status indicators show current load status.
- Power failure memory: If power is interrupted, when the power is restored the lamp will return to its previously set level prior to the interruption.

Design Considerations

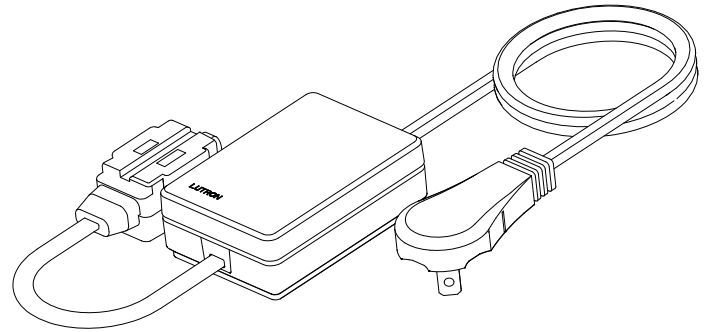
- For lamps with integral switches, the integral switch must be left in the "on" position or removed from the lamp.
- Always use a bulb that remains within the manufacturers wattage rating of the table or floor lamp.



SZ-3PD-1-XX

XX = color:

SW = Snow; MN = Midnight



SZ-3PD-3-XX

XX = color:

SW = Snow; MN = Midnight

<p>Job Name:</p> <p>Job Number:</p>	<p>Model Numbers:</p>
--	-----------------------




Specifications

Standards

- UL, CUL listed
- FCC approved. Complies with the limits for a Class B digital device, pursuant to Part 15 of the FCC rules. IC approved to equivalent RF standards.
- NOM listed (Q4 2010)

Power / Performance

- Operating voltage: 120 V~ 50/60 Hz
- Typical power consumption: 0.3 W (typical test conditions = load off, night light mode enabled)
- Always use a bulb that remains within the manufacturer's wattage rating of the table or floor lamp
- This device is NOT an extension cord and should not be used for any load other than lighting loads

Control	Load Type	Min. Load	Max. Total Load
SZ-3PD-1 SZ-3PD-3	 Incandescent, Halogen	10 W	300 W
	 MLV	10 W / VA	200 W / 300 VA
	 CFL, Fluorescent, ELV (Switching Mode Only)	10 W	300 W

Environment

- Ambient operating temperature: 32 – 104 °F (0 – 40 °C)
- Maximum 90% non-condensing relative humidity
- Indoor use only

Warranty

- 1-year limited warranty standard. 2-year parts and labor warranty, with 8-year pro-rated parts replacement on systems that include factory startup.
For more information: www.lutron.com/TechnicalDocumentLibrary/Warranty_CommercialSystems.pdf

Available Colors

- Snow (SW)
- Midnight (MN)

System Communication and Capacity

- Communicates at 434 MHz through Clear Connect™ RF Technology for reliable wireless communication with other *Stanza* system components
- Multiple RF channels and thousands of system addresses prevent interference between systems
- Each plug-in dimming module counts as 1 toward the basic system maximum of 31 RF devices.
- Consult factory for availability within systems of >31 RF devices or that require RS232 or Ethernet integration.

System Communication Notes

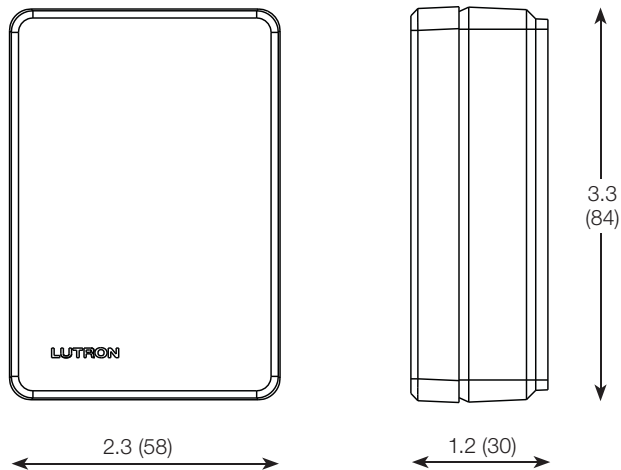
- *Stanza* RF devices must be located within 30 ft (9 m) of a *Stanza* RF device configured as a repeater. Multiple devices configured as repeaters may be necessary to provide adequate coverage.
- Any *Stanza* RF device can be configured as a repeater.
- A total of 5 devices maximum can be configured as repeaters.
- Devices configured as repeaters must be within 30 ft (9 m) of another device configured as a repeater.
- *Stanza* lighting controls cannot be controlled wirelessly and *Stanza* keypads will not function until they are addressed and programmed.

Job Name:	Model Numbers:
Job Number:	

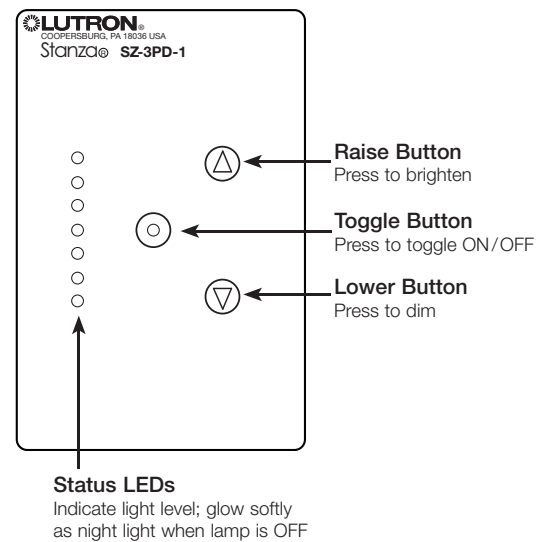
Mechanical Dimensions

Dimensions are in inches (mm)

For reference only



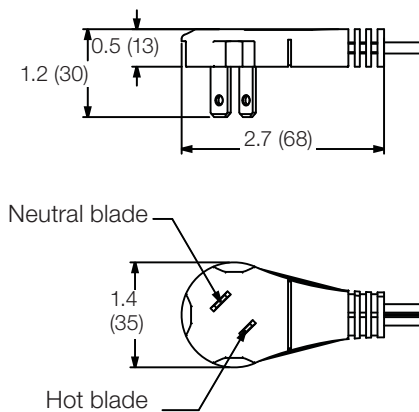
SZ-3PD-1 shown



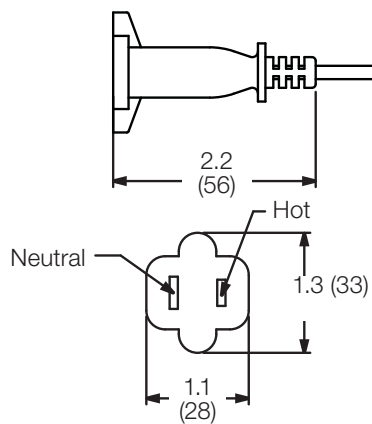
Plug Details

- Male plug on 24 in (610 mm) cord
- Female receptacle on 6 in (150 mm) cord

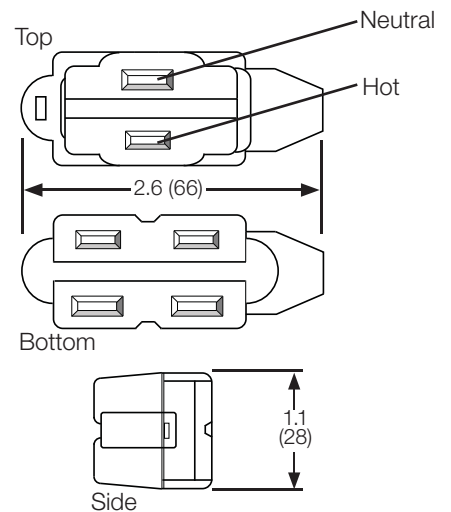
Male Plug, 45°
both models



Female Plug
SZ-3PD-1



Female Plug
SZ-3PD-3



Job Name:	Model Numbers:
Job Number:	