

## Luméa® C•L® Dimmer

**Dimmer for CFL, LED, Halogen, and Incandescent dimmable bulbs.**

### Features

- On/off switch with a captive linear-slide dimmer for a standard designer wallplate opening
- HED™ Technology: Advanced Lutron® dimming circuitry designed for compatibility with most high efficacy light bulbs
- UL® Listed to control:
  - Dimmable compact fluorescent (CFL) with integrated ballast
  - Dimmable LED with integrated driver
  - Halogen
  - Incandescent
- Low-end adjustment to accommodate a wide range of bulbs
- 100% factory tested

### Application Requirements

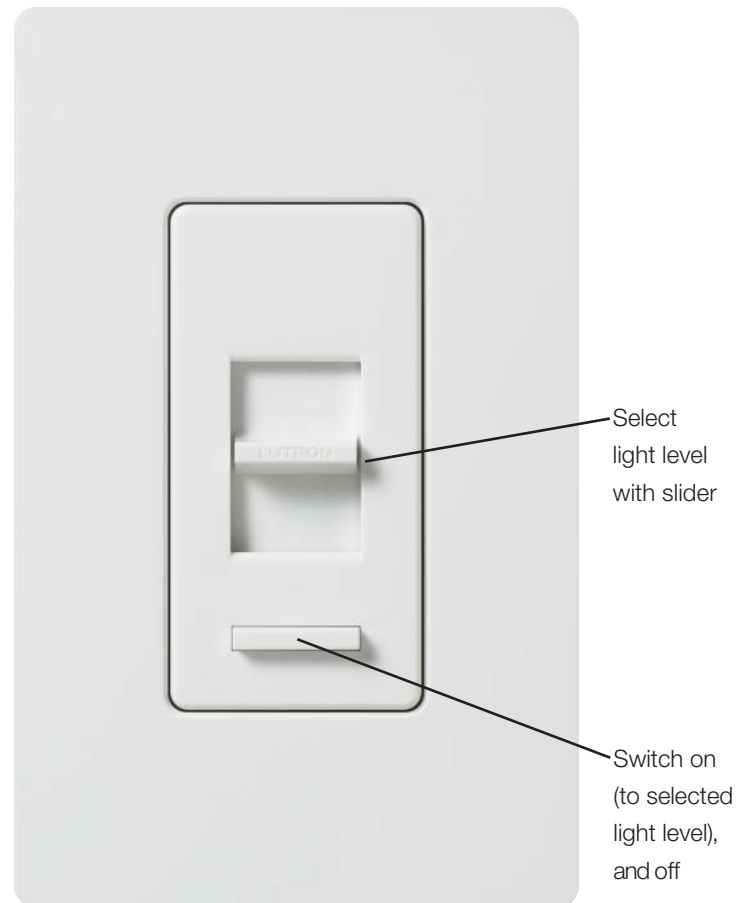
- **When dimming CFLs or LEDs, only bulbs marked or rated as DIMMABLE may be used.**
- For a complete list of compatible DIMMABLE CFLs and LEDs please visit [www.lutron.com/dimcflled](http://www.lutron.com/dimcflled). For questions call 1.800.523.9466.
- Some DIMMABLE CFLs and LEDs require a minimum number of bulbs for proper operation. For details and a list of bulbs, please visit [www.lutron.com/dimcflled](http://www.lutron.com/dimcflled).

### Model Numbers

LGCL-153PLH-XX<sup>1</sup>                      Single pole/3-way<sup>2</sup>

<sup>1</sup> "XX" in the model number represents color/finish code; see "**Colors and Finishes**" chart on next page.

<sup>2</sup> For 3-way and 4-way switching, use Claro® switches or other mechanical switches.



\* Wallplate sold separately

Job Name:	Model Numbers:
Job Number:	

## Specifications

### Regulatory Approvals

- UL® Listed to US and Canadian safety requirements  
UL1472 / CSA C22.2 184.1
- NOM

### Power and Ratings

- 120 V~ 60 Hz
- 150 W dimmable CFL/LED
- or**
- 600 W Incandescent/Halogen
- or**
- Mixed bulb type per **Multigang and Mixed Bulb Type Ratings** table (see page 3)

### Environment

- For indoor use only.
- Operating temperatures 32 °F to 104 °F (0 °C to 40 °C).

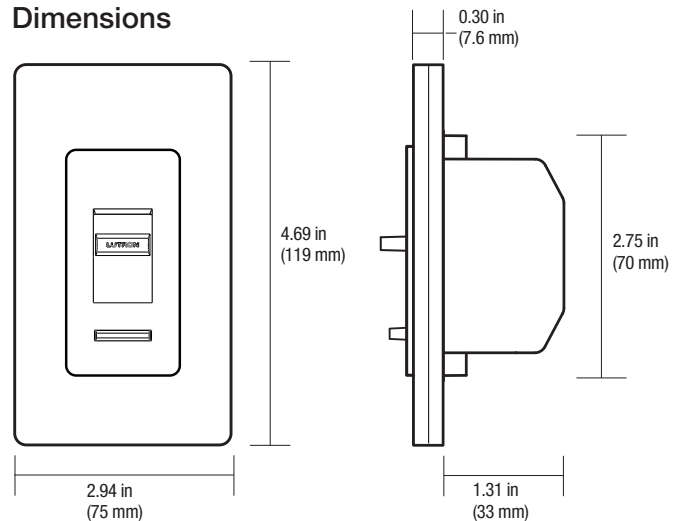
### Performance

- Power-failure memory
- Captive linear slider
- Electrostatic discharge tested
- Precise color matching
- Mechanical air-gap switch to disconnect load power

### Warranty

- 1 Year Limited Warranty
- For additional Warranty information, please visit  
[http://www.lutron.com/TechnicalDocumentLibrary/369-119\\_Wallbox\\_Warranty.pdf](http://www.lutron.com/TechnicalDocumentLibrary/369-119_Wallbox_Warranty.pdf)

### Dimensions



**Note:** Requires a U.S. wallbox 2½ in (64 mm) deep minimum.

### Colors and Finishes

#### Gloss Finishes

Add color/finish code to model #

**Example: LGCL-153PLH-WH**

WH	White
IV	Ivory
AL	Almond
LA	Light Almond
BL	Black

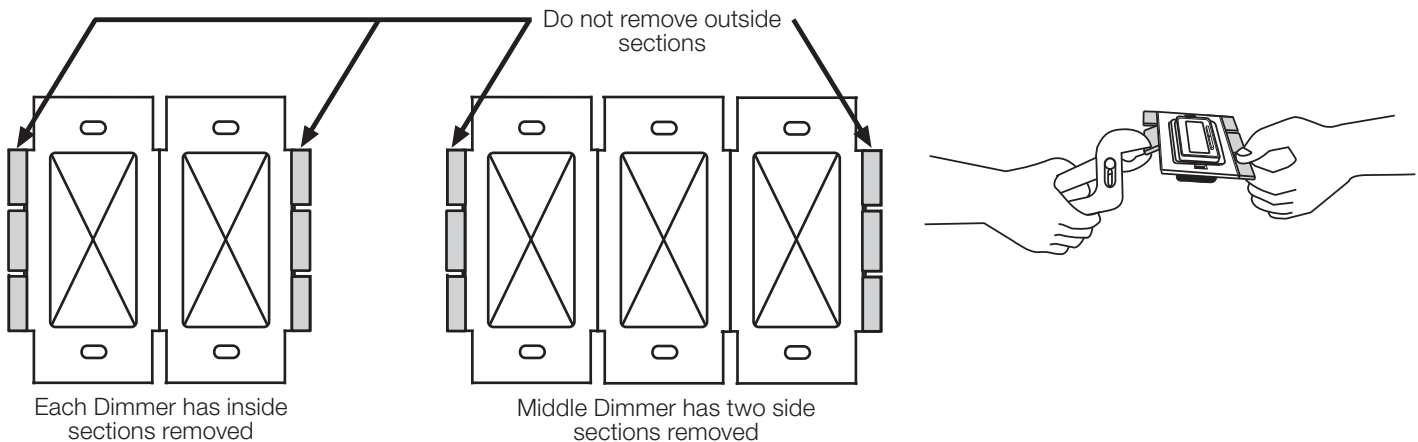
Job Name:	Model Numbers:
Job Number:	

## Multigang and Mixed-Bulb-Type Ratings

When installing more than one Dimmer in the same wallbox, it may be necessary to remove all inner side sections prior to wiring (**see diagram**). Removal of Dimmer side sections may reduce maximum wattage, as shown in the chart below.

Mixing bulb types (**using a combination of CFL/LED, and Incandescent/Halogen bulbs**) will also change the maximum ratings, as shown in the chart below.

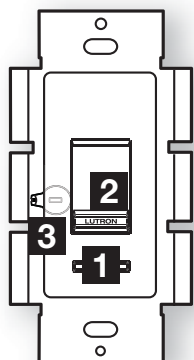
\*EXAMPLE: If one set of side sections is removed and you have two 24 W CFL bulbs installed (Total CFL Wattage = 48 W), you may add up to 300 W of incandescent or halogen lighting.



Total CFL/LED Wattage Installed (Wattage per bulb x # of bulbs)	CFL LED	Maximum Allowable Incandescent/Halogen Wattage		
		No sides removed	1 side removed	2 sides removed
0 W	+	600 W	500 W	400 W
1 W – 25 W	+	500 W	400 W	300 W
26 W – 50 W	+	400 W	300 W	200 W
51 W – 75 W	+	300 W	200 W	100 W
76 W – 100 W	+	200 W	100 W	50 W
101 W – 125 W	+	100 W	50 W	0 W
126 W – 150 W	+	0 W	0 W	0 W

Job Name:	Model Numbers:
Job Number:	

# Operation (View with wallplate removed)



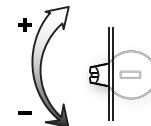
**1 Switch**  
Turns lights ON and OFF.

**2 Slider**  
Controls light level.  
+ **Up**  
Increases light level  
- **Down**  
Decreases light level  
**IMPORTANT: Set slider to bottom before adjusting dimming range.**

## Lever-type Adjustment Dial

**3 Adjustment lever**  
Sets low end dimming limit.

**Up (clockwise)**  
Increases brightness



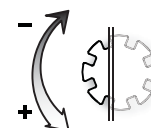
**Down (counter-clockwise)**  
Decreases brightness

OR

## Wheel-type Adjustment Dial

**3 Adjustment dial**  
Sets low end dimming limit.

**Up (clockwise)**  
Decreases brightness

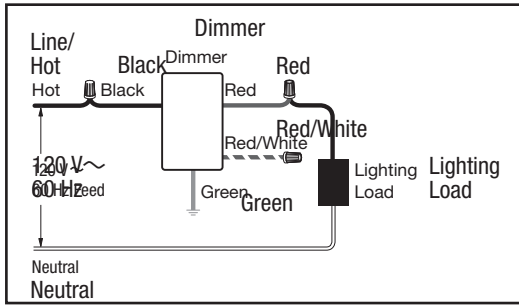


**Down (counter-clockwise)**  
Increases brightness

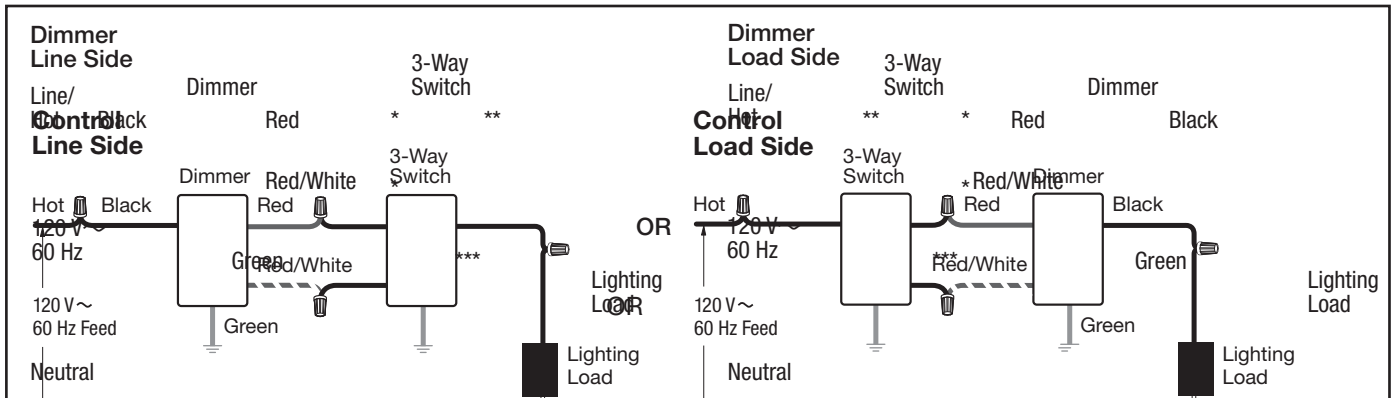
Job Name:	Model Numbers:
Job Number:	

# Wiring Diagrams

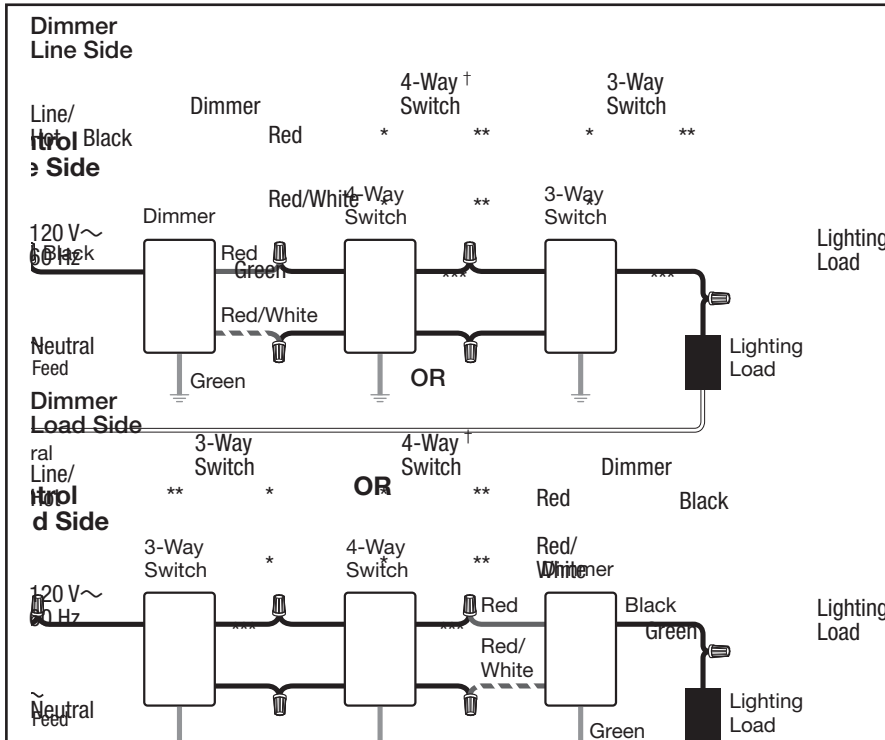
## Single-Pole Wiring



## 3-Way Wiring



## 4-Way Wiring



- \* or Copper/Black screw terminal
- \*\* or Brass/Gold screw terminal
- \*\*\* or Green screw terminal
- † Please refer to switch instruction sheet for proper wiring.

**Note for 4-Way Wiring:**  
Dimmer must be installed Line Side or Load Side. It cannot be installed in the 4-way location.

Job Name:	Model Numbers:
Job Number:	