

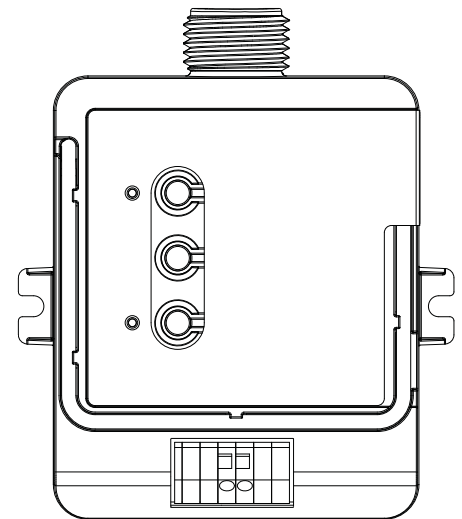
PowPak® Dimming Module with EcoSystem®

The PowPak® Dimming Module with EcoSystem® is a radio frequency (RF) control that operates up to 32 EcoSystem® Ballasts/LED drivers based on input from Pico® controls and Radio Powr Savr™ sensors. Configurable for multiple zones in a single area, the Dimming Module with EcoSystem® is ideal for small areas such as classrooms, conference rooms, and private offices.

Communication with RF input devices, such as Pico® controls and Radio Powr Savr™ sensors, is accomplished using Lutron® Clear Connect® RF Technology.

Features

- Controls up to 32 EcoSystem® fluorescent dimming ballasts and LED drivers
- Various operating voltages available – refer to model number chart below for details on voltage requirements
- Receives input from up to nine Pico® controls, six Radio Powr Savr™ occupancy/vacancy sensors, and one Radio Powr Savr™ daylight sensor
- Utilizes Lutron® Clear Connect® RF Technology – refer to model number chart below for frequency band data
- Mounts to a U.S. style junction box through a standard size knockout



RMJ-ECO32-DV-B model shown

Models Available

Model Number	Region	Operating Voltage	Frequency Band
RMJ-ECO32-DV-B	U.S.A., Canada, Mexico	120/277 V~	431.0 – 437.0 MHz
URMJ-ECO32-DVB	U.S.A. (BAA Compliant)	120/277 V~	431.0 – 437.0 MHz
RMQ-ECO32-DV-B	Hong Kong, Macau	220–240 V~	433.05 – 434.79 MHz
RMM-ECO32-DV-B	China, Singapore	220–240 V~	868.125 – 868.475 MHz
RMK-ECO32-DV-B	Europe, U.A.E.	220–240 V~	868.125 – 868.850 MHz
RMN-ECO32-DV-B	India	220–240 V~	865.5 – 866.5 MHz
RMP-ECO32-JA-B	Japan	100 V~	313.3 – 314.8 MHz
RMP-ECO32-200-JA	Japan	200 V~	313.3 – 314.8 MHz

NOTE: Contact Lutron for frequency band compatibility for your geographic region if it is not indicated above.

Job Name:	Model Numbers:
Job Number:	

Specifications

Regulatory Approvals

RMJ- & URMJ- models only

- UL® Listed (U.S.A.)
- FCC approved. Complies with the limits for a Class B device, pursuant to Part 15 of the FCC rules. (U.S.A.)
- CSA and IC (Canada) (RMJ- Only)
- COFETEL (Mexico) (RMJ- Only)
- NOM (Mexico) (RMJ- Only)
- Complies with requirements for use in other spaces used for environmental air (plenums) per NEC® 2014 300.22(C)(3)
- Listed in accordance to CAN/ULC S102.2-2010 with a Flame Spread Rating of 0 and a Smoke Developed Classification of 40, with a minimum spacing of 6 ft (1.83 m) off center

RMN- Model

- WPC Type Approved (India)

RMK- Model

- CE (European Union)
- TRA Type Approved (United Arab Emirates)

Power

- Operating voltage:

RMJ-/URMJ- models 120/277 V~ 50/60 Hz 40 mA

RMQ-, RMM-, RMK-, RMN- models

220-240 V~ 50/60 Hz 40 mA

RMP- models 100 V~ 50/60 Hz 40 mA

- Typical system power consumption (12 ballasts): 2.0 W
- Full system power consumption (32 ballasts): 2.75 W

System Communication

- Operates using Clear Connect® RF Technology for reliable wireless communication; refer to model number chart on page 1 for frequency band details
- RF range is 30 ft (9 m) for RMJ-, URMJ-, RMQ-, RMM-, RMK-, RMN- models
- RF range is 23 ft (7 m) for RMP- models
- Contact Lutron first for applications using foil-backed or metallic ceiling tiles.

Default Operation

- Associated wireless input devices control all connected EcoSystem® LED drivers
- Occupancy Sensors:
 - Occupied: 100%; Unoccupied: 0% (OFF)
- Pico® Controls:
 - On: 100%; Favorite Level: 50%; Off: 0% (OFF)
- Daylight Sensor: Decreases electric light in response to additional available daylight

Environment

- Ambient operating temperature: 32 °F to 104 °F (0 °C to 40 °C)
- 0 to 90% humidity, non-condensing
- For indoor use only

EcoSystem® Link

- 18 V \equiv 125 mA
- Communicates with up to 32 EcoSystem® dimming ballasts, LED drivers and interfaces such as CJ-BMJ-16A (U.S.A. only)
- EcoSystem® Digital Link can be wired Class 1 or Class 2 for maximum wiring flexibility (RMJ-, URMJ-, RMM-, RMN-, RMQ- models)
- EcoSystem® Digital Link carries basic isolation from line voltage wires (RMK- model)
- Terminals accept 18 AWG to 16 AWG (0.75 mm² to 1.5 mm²) solid wire

NOTE: Must use Rapid Start sockets with EcoSystem® ballasts.

NOTE: The PowPak® Dimming Module with EcoSystem® does NOT support the C5-XPJ-16A switching module.

NOTE: Wired sensors connected to EcoSystem® devices are NOT supported.

Job Name:	Model Numbers:
Job Number:	

Specifications *(continued)*

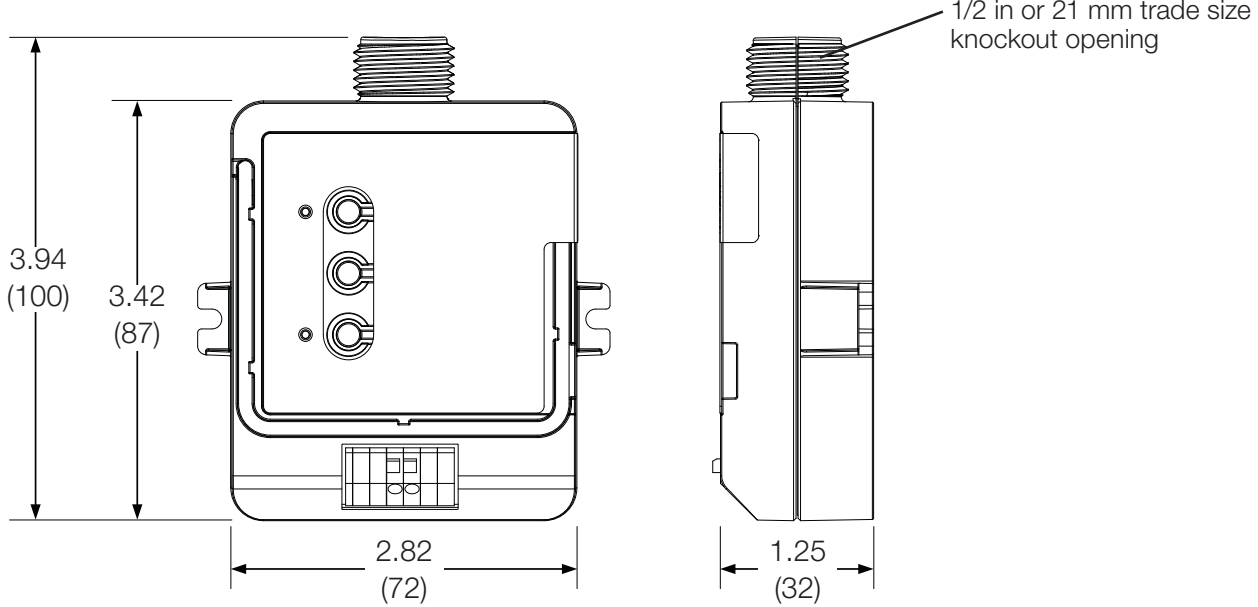
Key Design Features

- LED status indicators show communication status and provide programming feedback
 - Power failure memory: If power is interrupted, connected loads will return to the previous level prior to interruption
 - EcoSystem® link miswire protection up to 347 V~
 - Daylight override: Pressing the raise button on an associated Pico® control will temporarily override daylighting for the fixtures in that Pico® group
 - Daylighting will be re-enabled for that Pico® group when one of the following occurs:
 - Two hours have passed since the override.*
 - ON, OFF or Preset button has been pressed on a Pico® control controlling that group.
 - All associated Occupancy Sensors have reported unoccupied.
- * Each time a daylighting override occurs for any Pico® group, the two hour timer is reset.

Job Name: Job Number:	Model Numbers:
------------------------------	----------------

Dimensions

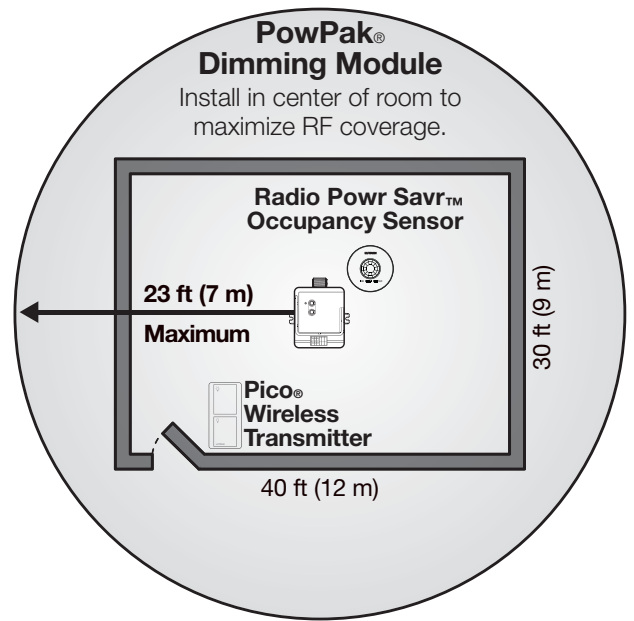
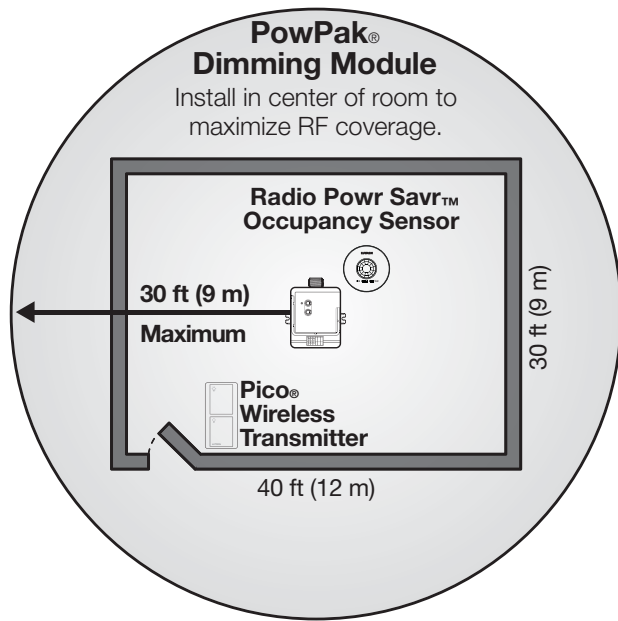
Dimensions are shown as: in (mm)



Range Diagrams

RMJ-, URMJ-, RMQ-, RMM-, RMK-, RMN- models

RMP- models

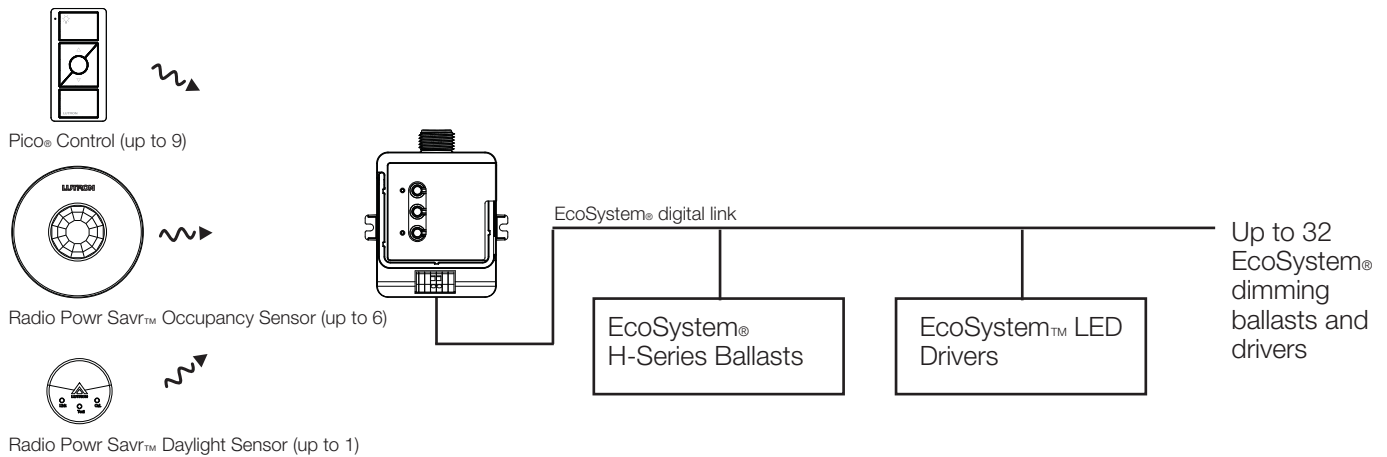


All Wireless Transmitters must be installed within 30 ft (9 m) of the PowPak™ Module.

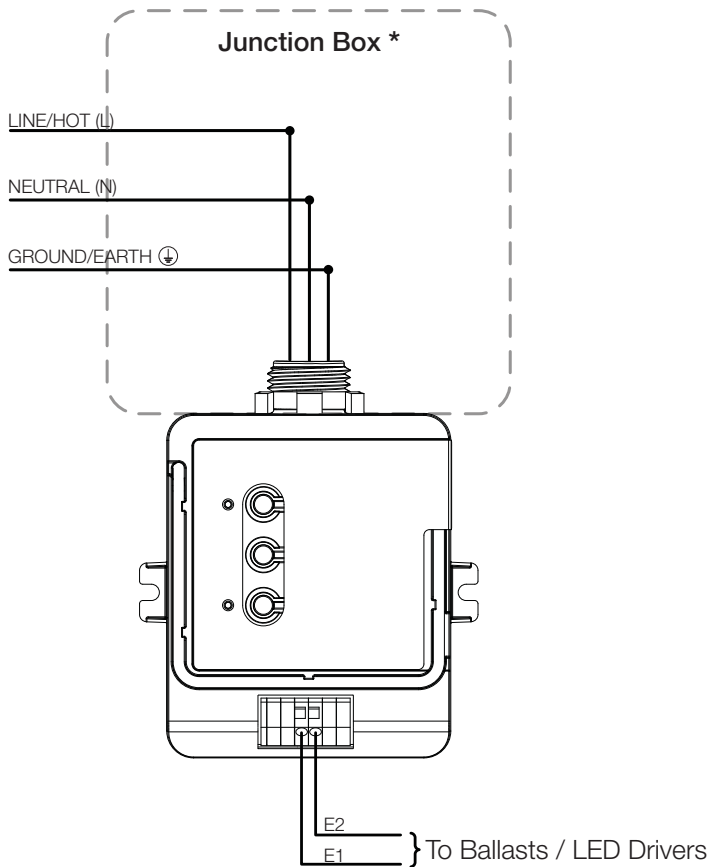
All Wireless Transmitters must be installed within 23 ft (7 m) of the PowPak™ Module.

Job Name:	Model Numbers:
Job Number:	

System Diagram (RMJ-, URMJ-, RMQ-, RMM-, RMN- models)



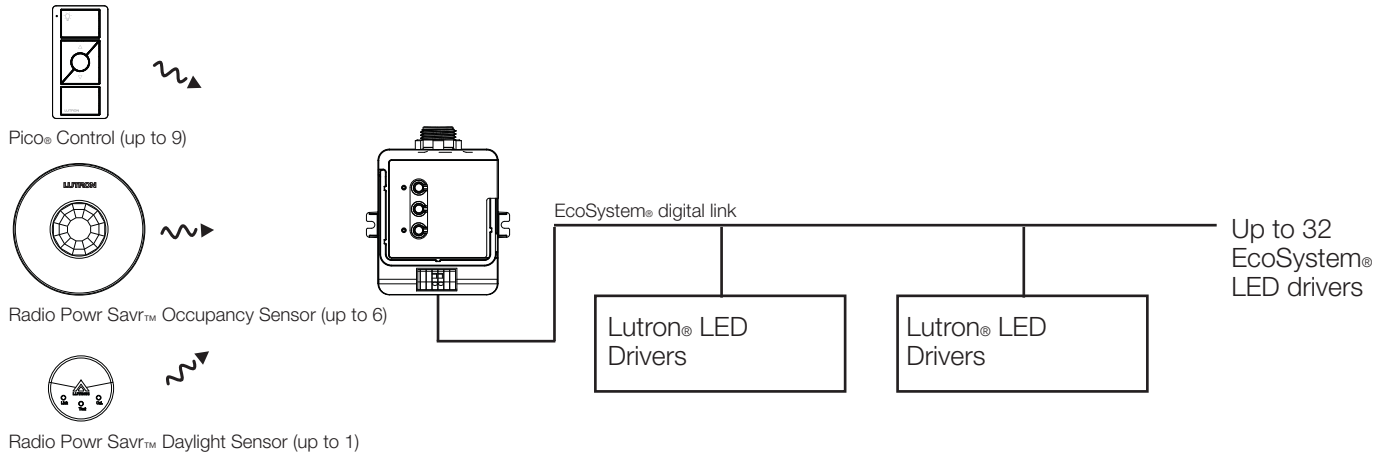
Wiring Diagram (RMJ-, URMJ-, RMQ-, RMM-, RMN- models)



* **NOTE:** Some applications (in USA) require the PowPak® module to be installed inside an additional junction box. For information about how to perform this installation, please visit www.lutron.com, Application Note #423 (P/N 048423). Please consult all local and national electronic codes for proper installation methods.

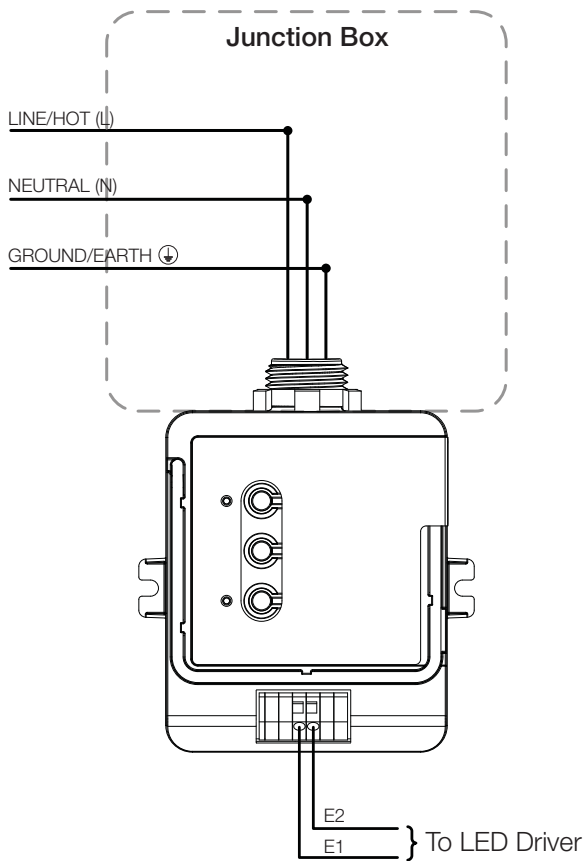
Job Name:	Model Numbers:
Job Number:	

System Diagram (RMP- models)

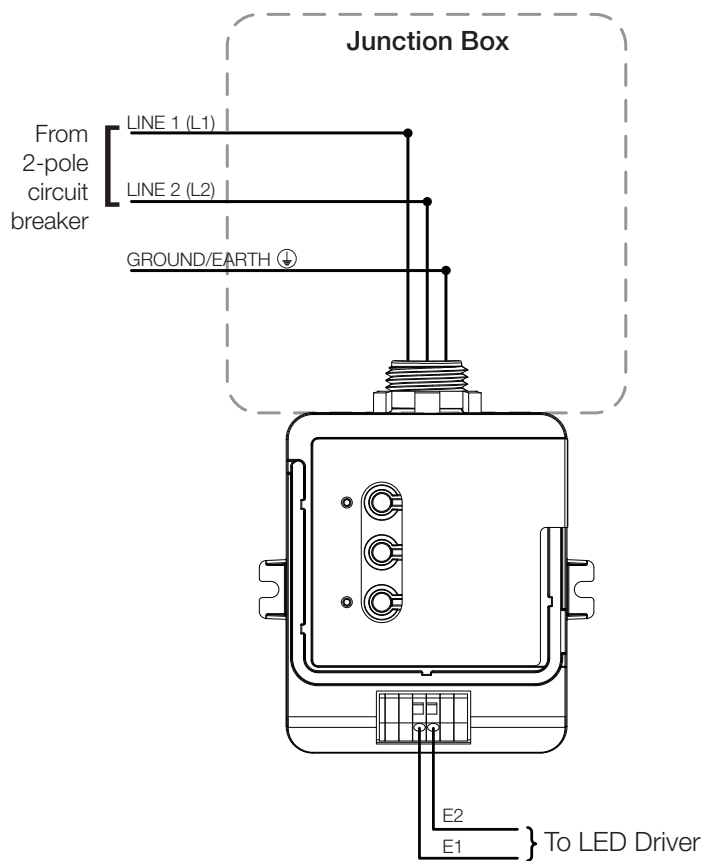


Wiring Diagram (RMP- models)

100 V~

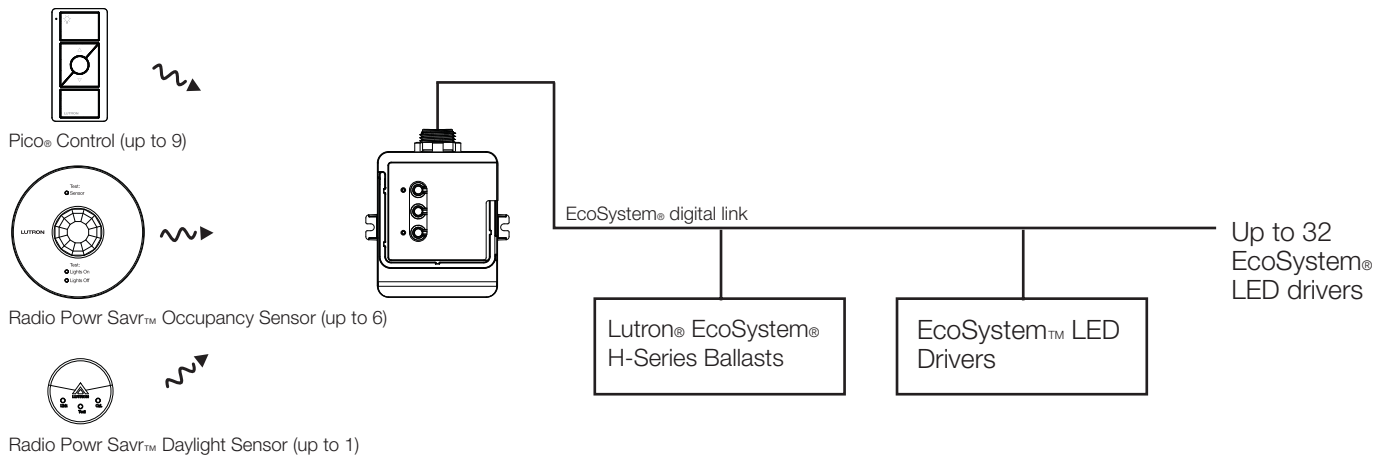


200 V~

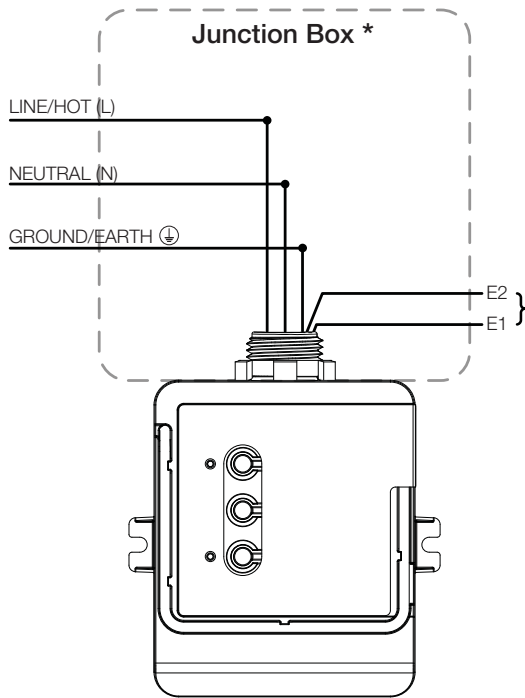


Job Name:	Model Numbers:
Job Number:	

System Diagram (RMK- model)



Wiring Diagram (RMK- model)



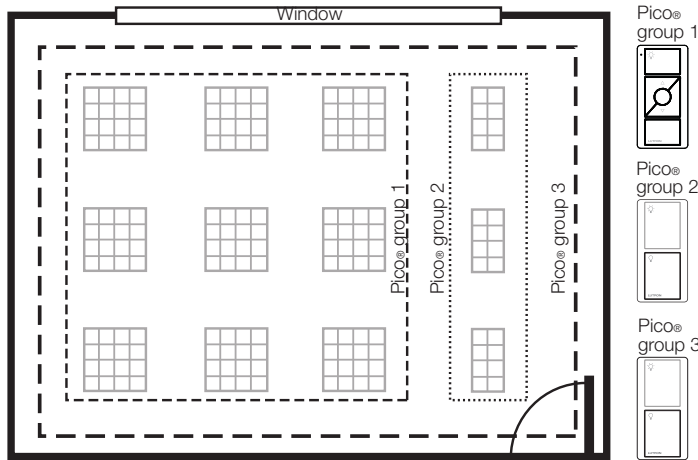
* **NOTE:** Some applications (in USA) require the PowPak® module to be installed inside an additional junction box. For information about how to perform this installation, please visit www.lutron.com, Application Note #423 (P/N 048423). Please consult all local and national electric codes for proper installation methods.

Job Name:	Model Numbers:
Job Number:	

Advanced Configurations

Pico® Wireless Controls

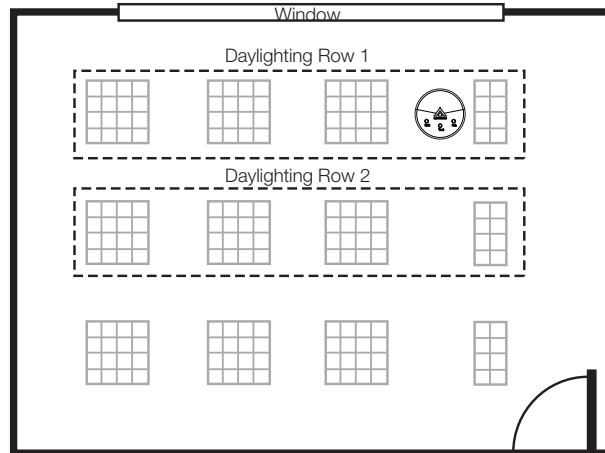
- Up to nine Pico® controls, each with their own control group
- Each group can include any of the connected drivers
- Favorite levels can be set for each Pico® wireless control



Radio Powr Savr™ Daylight Sensor

- Up to two daylighting rows can be configured
- The Radio Powr Savr™ daylight sensor group can include up to 32 drivers

Minimum Light Level Setting (optional)



- Certain applications, such as hallways, may require that the lights never turn off. For these areas, select the 10% minimum light level option.

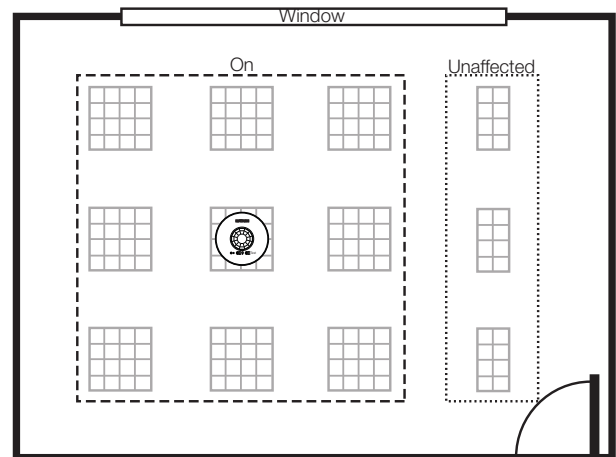
High-End Trim

- The maximum light output of connected drivers can be decreased by up to 50% for energy savings in over-lit spaces
- High-End Trim affects all connected drivers equally, and can be configured from the dimming module or from any associated Pico® control

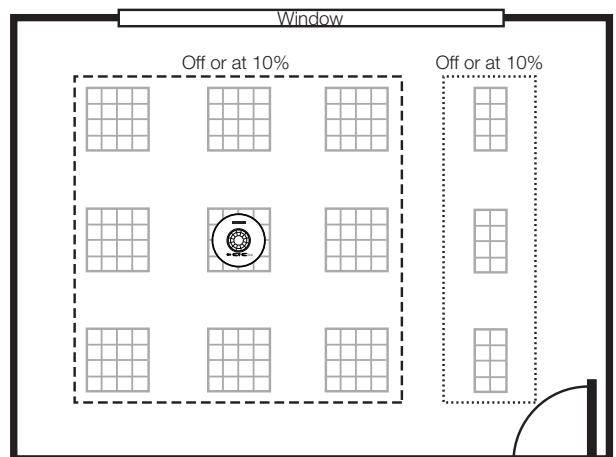
Radio Powr Savr™ Occupancy Sensors

- Radio Powr Savr™ occupancy and vacancy sensors control all connected drivers
- Grouped Pico® controls can be used to adjust the Occupied levels of drivers that they control from 1 to 100% or can make them unaffected by Occupancy events
- Vacancy events (area becomes unoccupied) turn all drivers off or to 10%, if minimum light level is set

Occupied



Unoccupied



Job Name:	Model Numbers:
Job Number:	