

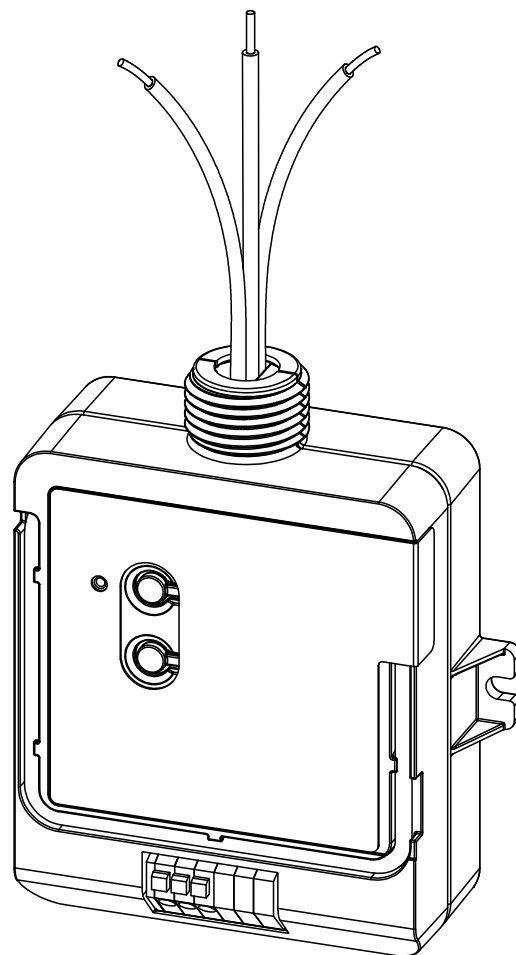
PowPak™ Relay Module

The PowPak™ Relay Module is a radio frequency (RF) device capable of controlling up to 5 A of general-purpose load based on input from Pico® controls and Radio Powr Savr™ occupancy and daylight sensors. An optional, low-voltage dry contact closure output is available to communicate occupancy status to 3rd-party systems such as HVAC controllers.

Communication with RF input devices, such as Pico® controls and Radio Powr Savr™ sensors, is accomplished using Lutron Clear Connect™ RF Technology.

Features

- Capable of switching 5 A of general-purpose loads
- Optional low-voltage dry contact closure output provides integration to building management systems, HVAC, VAV, etc.
- Various operating voltages available — refer to model number chart below for details on voltage requirements
- Receives wireless inputs from up to nine Pico® controls, six Radio Powr Savr™ occupancy/vacancy sensors, and one Radio Powr Savr™ daylight sensor
- Utilizes Lutron Clear Connect™ RF Technology — refer to model number chart below for frequency band data
- Mounts to a junction box through a standard half-inch (NPT trade size) knockout
- Complies with requirements for use in a compartment handling environmental air (plenum) per NEC® 2011 300.22(C)(3)



Description	Model Number	Operating Voltage	Frequency Band	Region
PowPak™ Relay Module	RMJ-5R-DV-B	120/277 V~	431.0 – 437.0 MHz	U.S.A., Canada, Mexico
	RMQ-5R-DV-B	220-240 V~	433.05 – 434.79 MHz	Hong Kong
	RMM-5R-DV-B	220-240 V~	868.125 – 868.475 MHz	China and Singapore
PowPak™ Relay Module with Occupancy-Status CCO	RMJ-5RCCO1-DV-B	120/277 V~	431.0 – 437.0 MHz	U.S.A., Canada, Mexico
	RMQ-5RCCO1-DV-B	220-240 V~	433.05 – 434.79 MHz	Hong Kong
	RMM-5RCCO1-DV-B	220-240 V~	868.125 – 868.475 MHz	China and Singapore

NOTE: Contact Lutron for frequency band compatibility for your geographic region if it is not indicated above.

Job Name:	Model Numbers:
Job Number:	

Specifications

Regulatory Approvals

RMJ- models only

- UL Listed
- UL 2043 Plenum Rated
- FCC approved. Complies with the limits for a Class B device, pursuant to Part 15 of the FCC rules.
- CSA and IC
- COFETEL
- NOM

Power

- Operating voltage:
RMJ- models 120/277 V~ 50/60 Hz
RMQ- models 220-240 V~ 50/60 Hz
RMM- models 220-240 V~ 50/60 Hz

System Communication

- Operates using Clear Connect™ RF Technology for reliable wireless communication; refer to model number chart on page 1 for frequency band details
- RF range is 30 ft (10 m)

Environment

- Ambient operating temperature: 32 °F to 131 °F (0 °C to 55 °C)
- 0% to 90% humidity, non-condensing
- For indoor use only

Load


- Maximum load: 5 A general purpose. No minimum load requirements.
- Load types include (but are not limited to):
 - Incandescent
 - MLV
 - ELV
 - Resistive
 - Inductive
 - Magnetic fluorescent
 - Electronic fluorescent
- Motor rating:
RMJ- models 1/6 HP (120 V~), 1/3 HP (277 V~)
RMQ- models 1/2 HP (220-240 V~)
RMM- models 1/2 HP (220-240 V~)
- Load relay is non-latching

Key Design Features

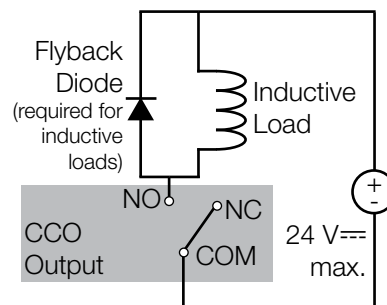
- LED status indicator shows current load status and provides programming feedback
- Power failure memory: If power is interrupted, connected loads will return to the previous level prior to interruption
- Daylighting can be overridden by pressing the ON button on any associated Pico®
 - Daylighting will be re-enabled after 2 hours or after the area becomes unoccupied

Contact Closure Output (CCO version only)

- Provides occupancy status to 3rd-party equipment such as building management systems, HVAC, and VAV controllers
- Provides both normally open (NO) and normally closed (NC) dry contacts
- Maintained output type
- CCO terminals accept 20 to 16 AWG (0.5 to 1.5 mm²) solid or stranded wire
- Output is latching
- Not for voltages greater than 24 V

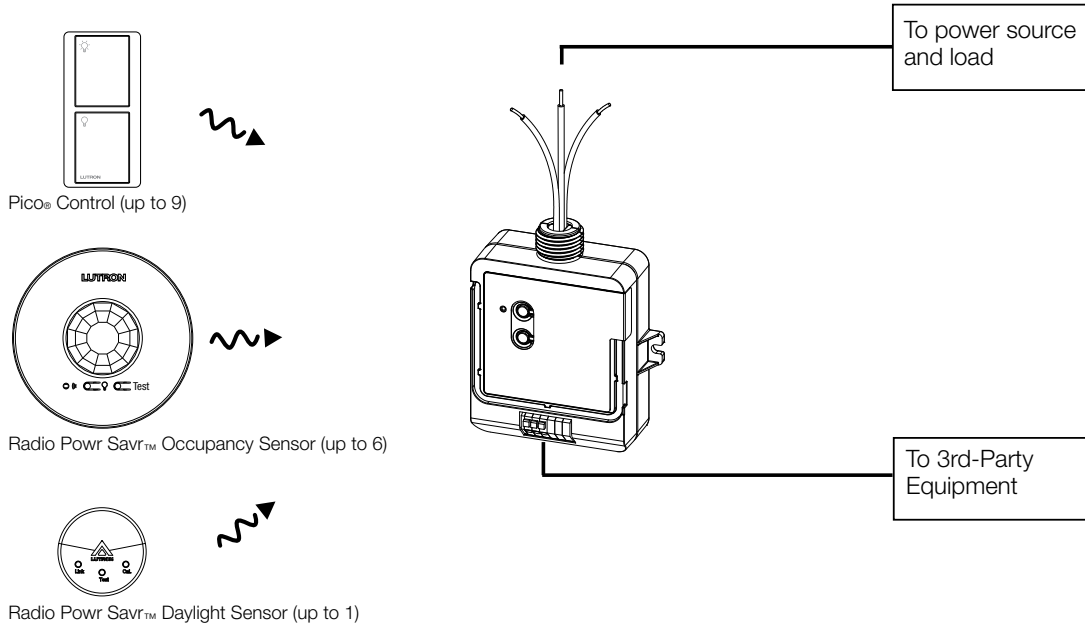
Switching Voltage	Resistive Load 
0-24 V---	1.0 A
0-24 V~	0.5 A

- The CCO is not rated to control unclamped, inductive loads. Inductive loads include, but are not limited to, relays, solenoids, and motors. To control these types of equipment, a flyback diode must be used (DC voltages only). See diagram below. For more information, please see Application Note #434 (p/n 048434).

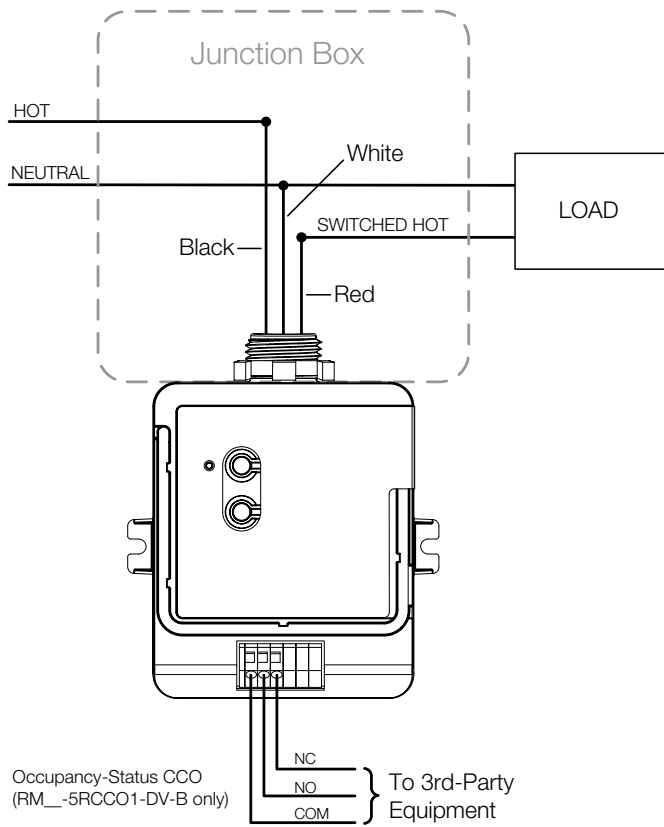


Job Name:	Model Numbers:
Job Number:	

System Diagram

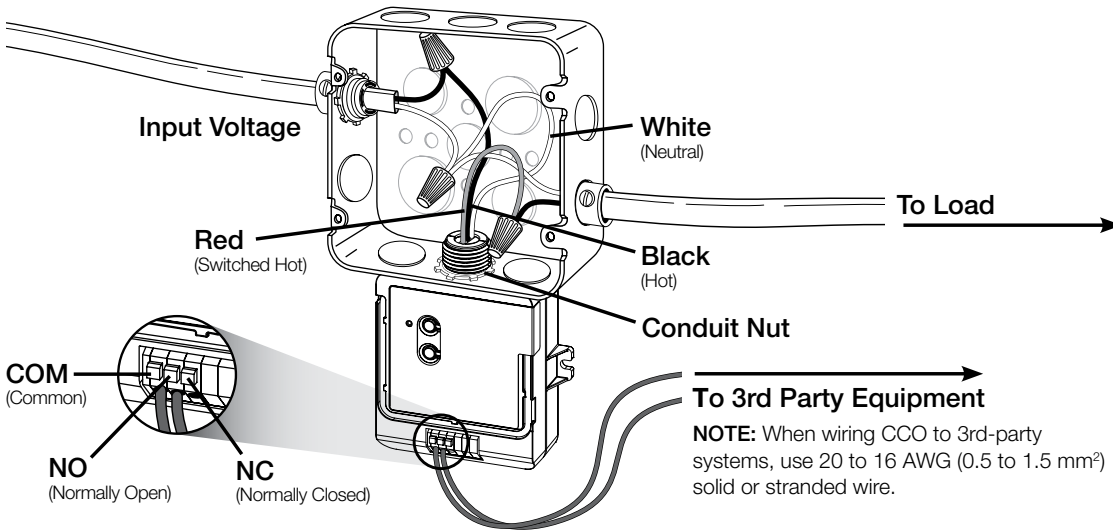


Wiring Diagram



<p>Job Name:</p>	<p>Model Numbers:</p>
<p>Job Number:</p>	

Wiring Diagram

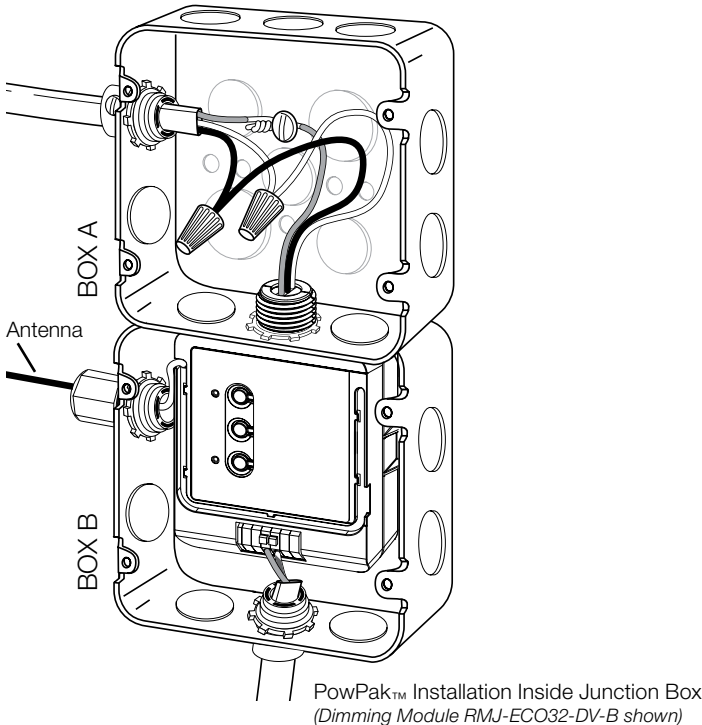


CCO operation affected only by associated occupancy or vacancy sensors.

Room Occupied: NO = Close NC = Open

Room Unoccupied: NO = Open NC = Close

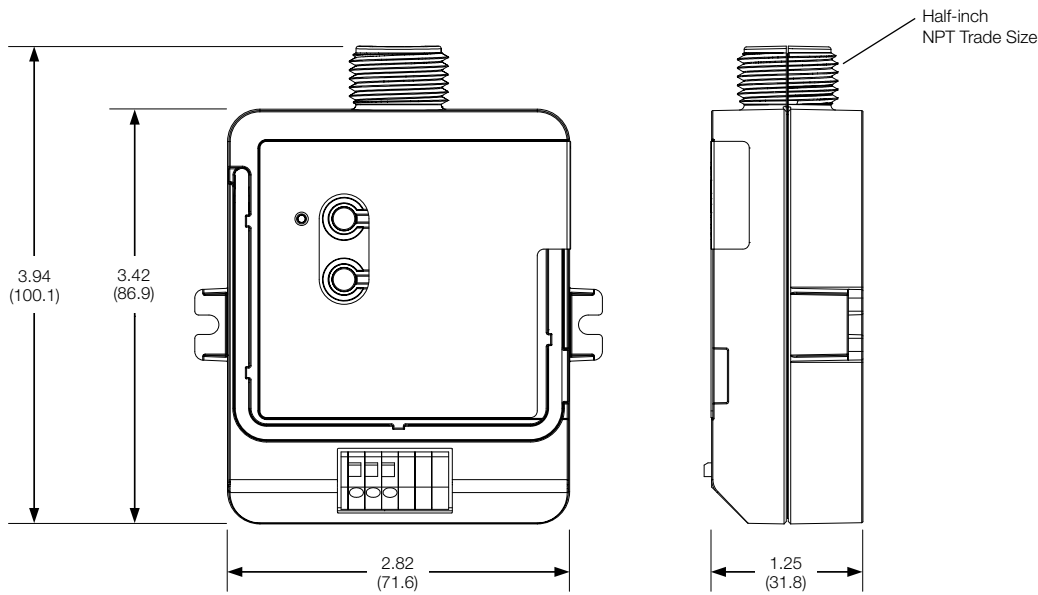
In some applications, a PowPak™ module can be installed inside a 4 in x 4 in (102 mm x 102 mm) junction box. For information about how to perform this installation, please see Application Note #423 (p/n 048423).



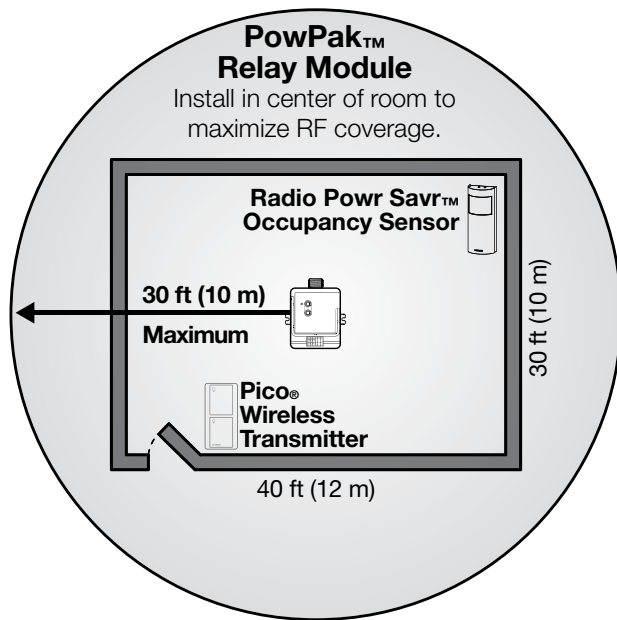
Job Name:	Model Numbers:
Job Number:	

Dimensions

Dimensions are shown as: in (mm)



Range Diagram



All Wireless Transmitters must be installed within 30 ft (10 m) of the PowPak™ Relay Module.

- Contact Lutron first for applications using foil-backed or metallic ceiling tiles.

Job Name:	Model Numbers:
Job Number:	

Default Operation

Transmitting Device	Transmitted Command	Load Relay Default Action	CCO Default Action
Pico®	On	Close	No Action
	Off	Open	No Action
	Raise	No Action	No Action
	Lower	No Action	No Action
	Preset	Close	No Action
Radio Powr Savr™ Occupancy Sensor	Occupied	Close	NO = Close, NC = Open
	Unoccupied	Open	NO = Open, NC = Close
Radio Powr Savr™ Vacancy Sensor	Occupied	No Action	NO = Close, NC = Open
	Unoccupied	Open	NO = Open, NC = Close
Radio Powr Savr™ Daylight Sensor	Ambient Light Below Target Level	Close	No Action
	Ambient Light Above Target Level	Open	No Action

Job Name:	Model Numbers:
Job Number:	