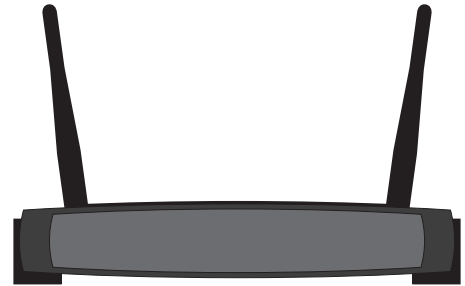


## Wireless Router by Others

A wireless router is required to use the Hand Held Device (HHD) programming feature of Lutron® Energi Savr Node units. An HHD is required to give the installer/end user the option of using the intuitive programming application (available from the *Apple iTunes Store* online marketplace) for the *Apple iPod touch*, *iPad*, or *iPhone* Hand Held Devices.

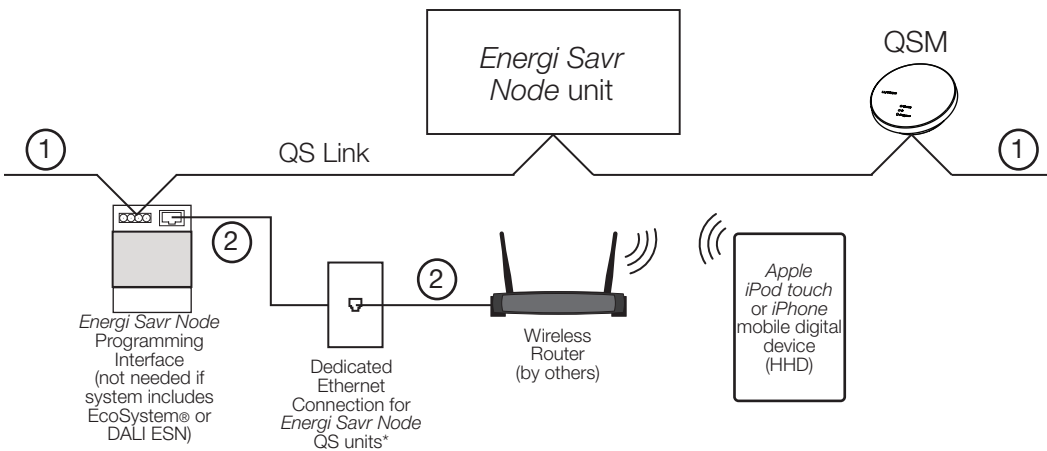
The *iPod touch*, *iPad*, or *iPhone* app allows the user to program, set up, or commission an *Energi Savr Node* system that contains multiple *Energi Savr Node* units and/or multiple QS Sensor Modules (QSMs) via the QS link. For specific features enabled by the HHD, please consult *Energi Savr Node* product specification submittals.

The wireless router allows the HHD to communicate directly to the *Energi Savr Node* programming interface via an Ethernet cable.



### Minimum Hardware Configuration Required

- Wireless router must support UDP multicast packets
- 802.11g standard protocol
- One free LAN connection for dedicated *Energi Savr Node* programming port
- Routers with known compatibility issues (at time of publication):
  - Cisco®/Linksys® WRT-54N2



- ① Wire types for QS link: *Lutron* cable GRX-CBL-346S: for distances less than 500 ft (153 m)  
GRX-CBL-46L: for distances between 500 ft (153 m) and 2000 ft (610 m)
- ② Standard CAT5/CAT5E cable: Total length not to exceed 300 ft (100 m)

**\* Note:** *Energi Savr Node* QS units are not designed to exist on an open network. Connection to an open network could result in reduced performance and Ethernet connectivity issues.

Apple, iPod touch, iPad, iPhone, and iTunes Store are trademarks of Apple Inc., registered in the U.S. and other countries.  
Cisco and Linksys are registered trademarks of Cisco Systems, Inc.

<b>Job Name:</b>	<b>Model Numbers:</b>
<b>Job Number:</b>	