

## Hand Held Device by Others

A Hand Held Device (HHD) is required to give the installer/end user the option of using the intuitive programming application (available from the *Apple iTunes Store* online marketplace) for the *Apple iPod touch*, *iPad*, or *iPhone* Hand Held Devices.

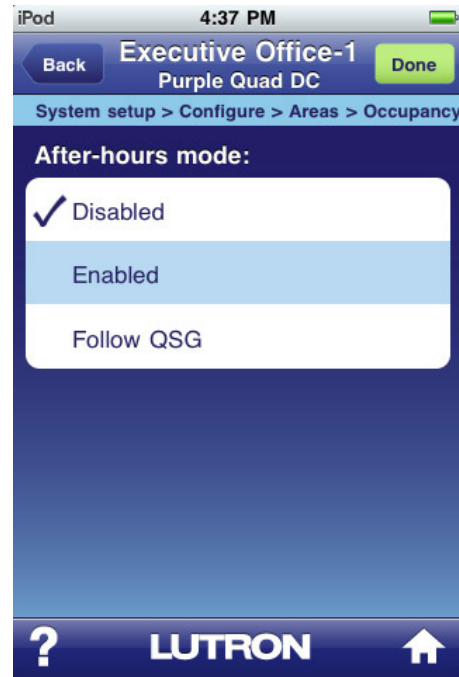
The *iPod touch*, *iPad*, or *iPhone* app allows the user to program, set up, or commission an *Energi Savr Node* system that contains multiple *Energi Savr Node* units and/or multiple QS Sensor Modules (QSMs) via the QS link. For specific features enabled by the HHD, please consult *Energi Savr Node* product specification submittals.

### Minimum Hardware Configuration Required

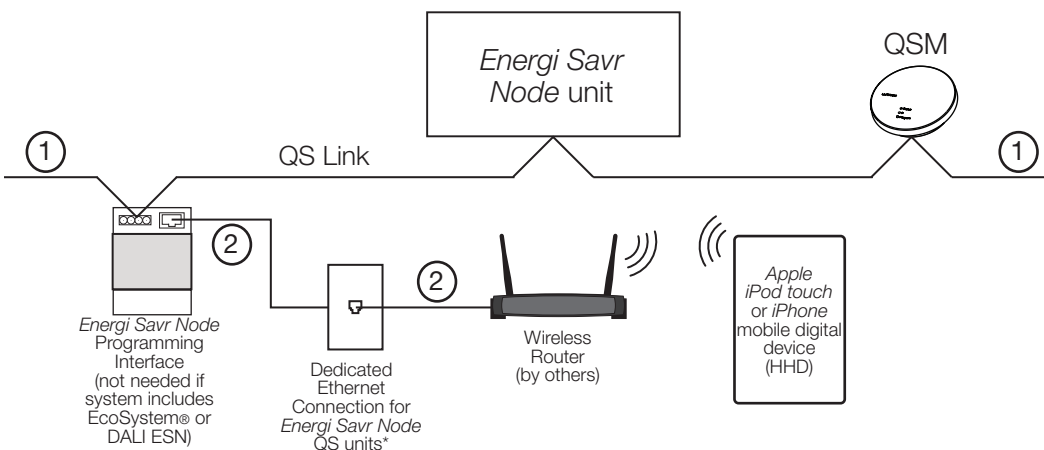
- Lutron-tested models:  
*Apple iPod touch* ("gen2"; other models may work)
- Wireless router required (refer to specification submittal, Lutron PN 369331, for wireless router requirements)

### Software Required

- *Energi Savr Node* application
- *Apple iTunes* account required to download the *Energi Savr Node* application from the *iTunes Store* online marketplace



Screenshot from *Energi Savr* app



- ① Wire types for QS link: *Lutron* cable GRX-CBL-346S: for distances less than 500 ft (153 m)  
GRX-CBL-46L: for distances between 500 ft (153 m) and 2000 ft (610 m)
- ② Standard CAT5/CAT5E cable: Total length not to exceed 300 ft (100 m)

**\* Note:** *Energi Savr Node* QS units are not designed to exist on an open network. Connection to an open network could result in reduced performance and Ethernet connectivity issues.

Apple, iPod touch, iPad, iPhone, and iTunes Store are trademarks of Apple Inc., registered in the U.S. and other countries.

### LUTRON® SPECIFICATION SUBMITTAL

<p><b>Job Name:</b></p>	<p><b>Model Numbers:</b></p>
<p><b>Job Number:</b></p>	