

## QS Link Power Supply

The STEP-PS QS link power supply provides up to 22 Power Draw Units on a QS link. The STEP-PS powers additional compatible accessories and devices, allowing them to be added to a QS system.

### Specifications

#### Input Power

- Nominal input voltage: 100–240 V~
- Frequency: 50/60 Hz
- Current consumption, fully loaded:  
approx. 0.8 A (230 V~)  
approx. 1.3 A (120 V~)

#### Power Supply Output

- Nominal output voltage and tolerance:  
24 V== / ±1%, 22 Power Draw Units\*
- Setting range of output voltage: 22.5–25.0 V==;  
at time of shipment, the output voltage is 24 V==

\* Power supply is rated to provide a maximum of 22 Power Draw Units to devices on the QS Link. Use above this maximum will reduce the lifetime of the supply and void all *Lutron* warranties.

**Note:** This power supply is **NOT** rated for use with motorized shades/window treatments.

#### Environment

- Ambient temperature operation: -25 to +70 °C (-13 to +158 °F)  
(> 55 °C / 131 °F Derating 2.5 % / K or 3.5 % / F)
- Ambient temperature storage: -40 to +85 °C (-40 to +185 °F)
- Humidity at +25 °C (77 °F), no condensation: ≤ 95%



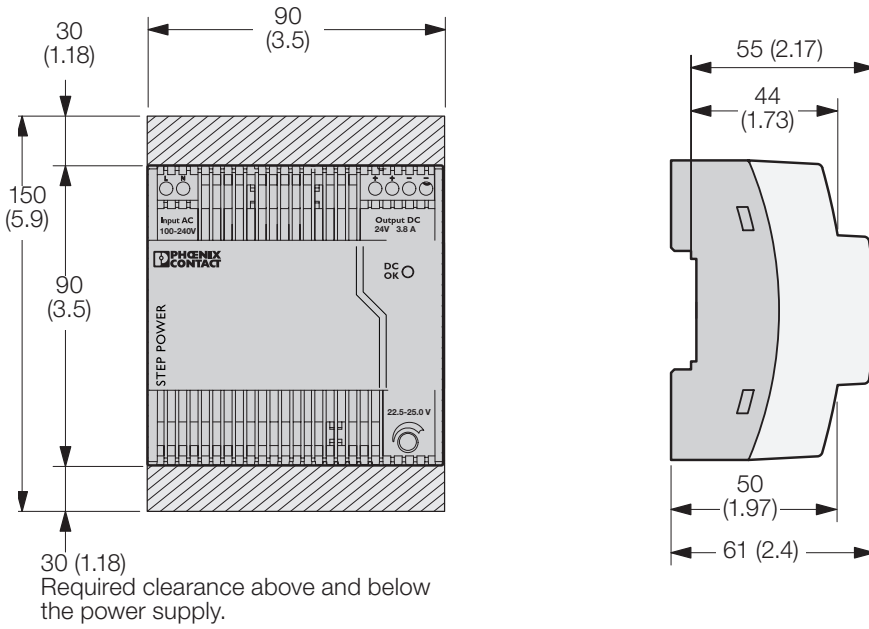
#### Standards

- Electrical Safety: IEC60950 / VDE 0805, UL/cUL Recognized UL 60950
- Safety Transformer: EN61558-2-17
- Electronic equipment for electrical power installations: EN 50178 / VDE 0106-101
- Safe isolation: DIN VDE 0100-410 / DIN VDE 0106-101
- Industrial regulating devices: UL/cUL Listed UL 508
- Shipbuilding: GL
- Limitation of main harmonic currents: EN 61000-3-2
- Electromagnetic compatibility CE in conformance with EMC Guidelines: 2004/108/EG ; 2006/95/EG.
  - Immunity to interference: EN 61000-6-2
  - Noise emission: EN 61000-6-3
- Protection Class II
- UL Approvals:
  - UL/cUL Listed UL 508
  - NEC Class 2 as per UL 1310
  - UL/cUL Listed ANSI/ISA-12.12.01 Class I, Division 2, Groups A, B, C, D

<p>Job Name:</p>  <p>Job Number:</p>	<p>Model Numbers:</p>
--	-----------------------

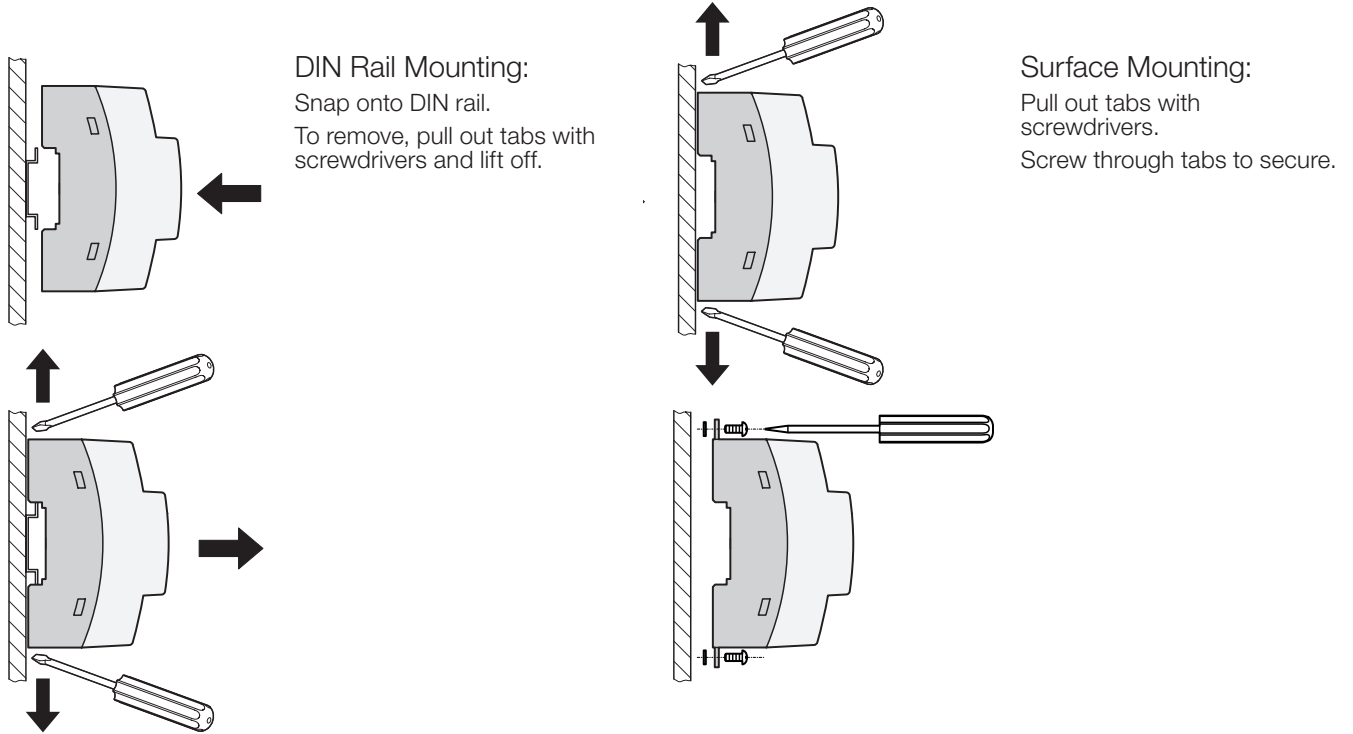
**Dimensions**

Dimensions are in mm (inches)



**Mounting**

- Surface mount using screws, or mount on DIN rail
- Use an IP20 (minimum) rated consumer panel or breaker panel with integrated DIN

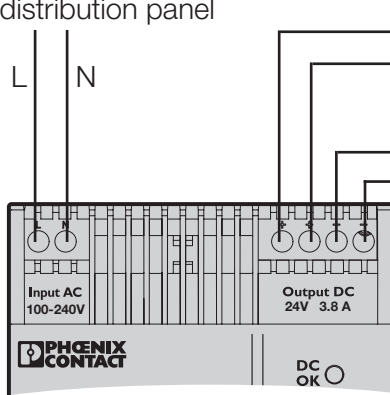


Job Name:	Model Numbers:
Job Number:	

### Wiring

- Wire product in accordance with national and local electrical codes
- Each terminal takes one 0.2 to 2.5 mm<sup>2</sup> (24 to 12 AWG) wire, with 6.5 mm (1/4 in) stripped bare
- Maximum torque: 0.6 to 0.8 N·m (5.0 to 7.0 in·lb)

Hot/live (L) and neutral (N)  
in from distribution panel



+ 24 V=== out to terminal 2 of QS devices on the link. Do not connect to terminal 2 of other power sources on the link (see Link Power Distribution diagram)

- Common out to terminal 1 of all QS devices on the link, including other power sources

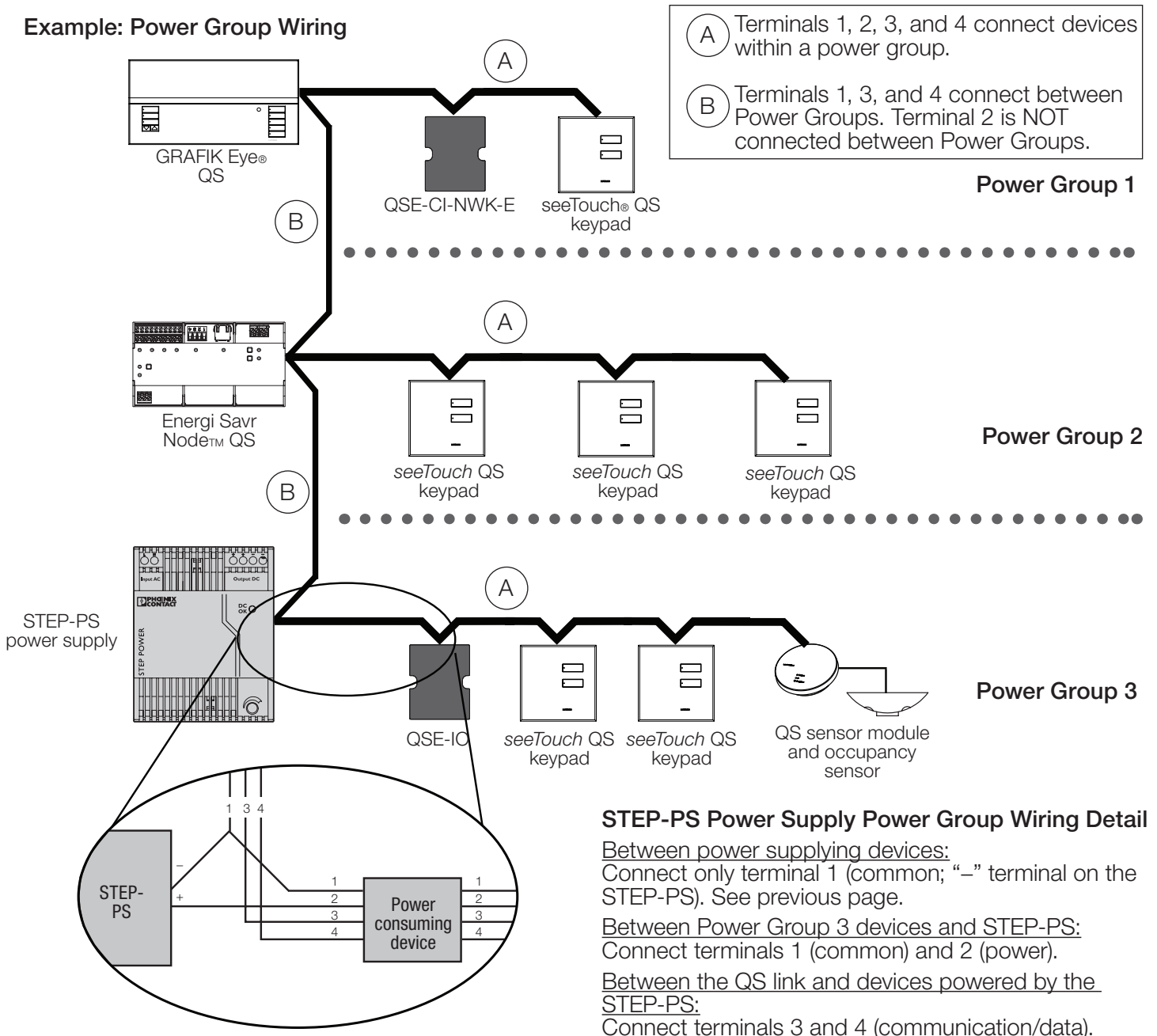
Job Name:	Model Numbers:
Job Number:	

**QS Link Power Distribution**

On the QS link, there are devices that supply power and devices that consume power. Each device has a specific number of Power Draw Units (PDUs) it either supplies or consumes. A Power Group consists of one device that supplies power and one or more devices that consume power; each Power Group may have only one power-supplying device.

Within Power Groups on the QS link, connect all 4 terminals (1, 2, 3, and 4), shown by the letter A in the diagram. Between devices on the QS link that supply power, connect only terminals 1, 3, and 4 (NOT terminal 2), shown by the letter B on the diagram. See Wiring section on the previous page for details on wiring the STEP-PS power supply to the QS link.

**Example: Power Group Wiring**



Job Name:	Model Numbers:
Job Number:	