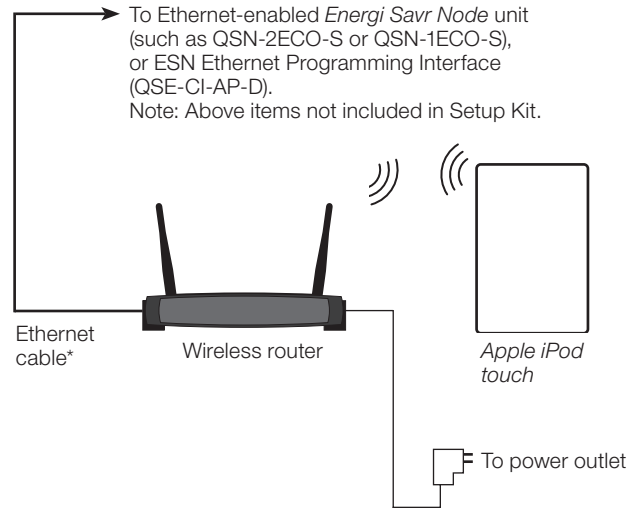


## Energi Savr Node™ Wireless Setup Kit

The *Energi Savr Node* (ESN) Wireless Setup Kit allows for efficient programming of an *Energi Savr Node* system. Using the included *Apple iPod touch* device and the preloaded Lutron® software, the kit allows users to quickly connect to the system, set up the desired configuration, and make changes as needed.

### Features

- Plug & Play - fully preconfigured
  - *Apple iPod touch* preloaded with *Lutron Energi Savr Node* setup application (also available on the *Apple App Store*)
  - 802.11g wireless router preconfigured to communicate with both *iPod touch* device and *Lutron Energi Savr Node* units (for more information, see *Lutron Application Note 402*).
- Enables programming of EcoSystem® ESN units (QSN-2ECO-S, QSN-1ECO-S). Also enables advanced feature programming of ESN 0-10V and Softswitch® (QSN-4T16-S, QSN-4S16-S) when purchased with an ESN Ethernet Programming Interface (QSE-CI-AP-D; not included)
- Kit includes:
  - Wireless router
  - 100-foot (30 m) Ethernet cable for connecting wireless router to *Energi Savr Node* system
  - *Apple iPod touch*
  - Wall charger for *iPod touch*



\* Standard CAT5/CAT5E cable  
 Total length not to exceed 300 ft (100 m).  
 100-foot (30 m) cable included with kit.

### Warranty Information

The items contained in this kit are not covered by Lutron warranty and retain the original manufacturer warranty that applies in each case:

- Wireless router
- *Apple iPod touch*
- Wall charger for *iPod touch*

**Note:** *Energi Savr Node* units are not designed to exist on an open network. Connection to an open network could result in reduced performance and Ethernet connectivity issues. For more information, see *Lutron Application Note 402*.

Apple, iPod touch, and App Store are trademarks of Apple Inc., registered in the U.S. and other countries.

### LUTRON® SPECIFICATION SUBMITTAL

Page

<b>Job Name:</b>	<b>Model Numbers:</b>
<b>Job Number:</b>	