

## HomeWorks® QS Wired seeTouch® Architectural Keypads

HomeWorks® QS seeTouch® keypads provide homeowners with a simple and elegant way to operate lights, shades/draperies, motorized screens, thermostats, and many other devices.

HomeWorks® QS seeTouch® keypads feature large, easy-to-use buttons, plus a unique backlit engraving option that makes the keypads readable any time of the day or night. seeTouch® buttons are rounded, allowing engraving to be displayed at an upward angle, increasing readability.

Replacement Kits are available in a variety of colors and with custom engraving to clearly identify each button's function. The flexible design of the keypads allows the color, number of buttons, and button configuration to be changed by installing a new engraved Replacement Kit.

All HomeWorks® QS wired seeTouch® models have two contact closure inputs on the back of the unit which provide independent functions from the front buttons. Other options include configurations with infrared receiver and raise/lower buttons.

Use Lutron® Nova T★® wallplates. Wallplates are included with the keypad. Lutron® Nova T★® wallplates snap on with no visible means of attachment.



HomeWorks® QS wired seeTouch® architectural keypads are available in many button configurations, shown on the following two pages. They are also available in insert (*above left*) and non-insert (*above right*) styles. The insert style allows decorator-style controls to be easily ganged using Lutron® Nova T★® wallplates.

# HomeWorks® QS Wired seeTouch® Architectural Keypads

## Non-Insert Style Architectural Keypads

### Model Numbers

HQWA-W1BN-XX*	1 Button Keypad
RKA-W1BN-XX*-E	Engraved Replacement Kit
HQWA-W2BSN-XX*	2 Button Keypad
RKA-W2BSN-XX*-E	Engraved Replacement Kit
HQWA-W3BSN-XX*	3 Button Keypad
RKA-W3BSN-XX*-E	Engraved Replacement Kit
HQWA-W3BSRLN-XX*	3 Button with Raise/Lower Keypad
RKA-W3BSRLN-XX*-E	Engraved Replacement Kit
HQWA-W3SN-XX*	3 Scene with Raise/Lower Keypad
RKA-W3SN-XX*-E	Engraved Replacement Kit
HQWA-W4BSN-XX*	4 Button Keypad
RKA-W4BSN-XX*-E	Engraved Replacement Kit
HQWA-W4SN-XX*	4 Scene with Raise/Lower Keypad
RKA-W4SN-XX*-E	Engraved Replacement Kit
HQWA-W5BN-XX*	5 Button Keypad
RKA-W5BN-XX*-E	Engraved Replacement Kit
HQWA-W5BRLN-XX*	5 Button with Raise/Lower Keypad
RKA-W5BRLN-XX*-E	Engraved Replacement Kit
HQWA-W5BIRN-XX*	5 Button with Raise/Lower Keypad and Infrared Receiver
RKA-W5BIRNXX*-E	Engraved Replacement Kit
HQWA-W6BN-XX*	6 Button Keypad
RKA-W6BN-XX*-E	Engraved Replacement Kit
HQWA-W6BRLN-XX*	6 Button with Raise/Lower Keypad
RKA-W6BRLN-XX*-E	Engraved Replacement Kit
HQWA-W7BN-XX*	7 Button Keypad
RKA-W7BN-XX*-E	Engraved Replacement Kit
HQWA-W1RLDN-XX*-E	Engraved Replacement Kit
RKA-W1RLDN-XX*	Dual Group with Raise/Lower Keypad
HQWA-W2RLDN-XX*	Dual Group with Dual Raise/Lower Keypad
RKA-W2RLDN-XX*-E	Engraved Replacement Kit
HQWA-W3BDN-XX*	Dual Group Keypad
RKA-W3BDN-XX*-E	Engraved Replacement Kit



\*\*XX\* in the model number represents color/finish code. See **Colors and Finishes** at end of document.

# HomeWorks® QS Wired seeTouch® Architectural Keypads

## Insert Style Architectural Keypads

### Model Numbers

HQWA-W1BI-XX*	1 Button Keypad
RKA-W1BI-XX*-E	Engraved Replacement Kit
HQWA-W2BSI-XX*	2 Button Keypad
RKA-W2BSI-XX*-E	Engraved Replacement Kit
HQWA-W3BSI-XX*	3 Button Keypad
RKA-W3BSI-XX*-E	Engraved Replacement Kit
HQWA-W3BSRLI-XX*	3 Button with Raise/Lower Keypad
RKA-W3BSRLI-XX*-E	Engraved Replacement Kit
HQWA-W3SI-XX*	3 Scene with Raise/Lower Keypad
RKA-W3SI-XX*-E	Engraved Replacement Kit
HQWA-W4BSI-XX*	4 Button Keypad
RKA-W4BSI-XX*-E	Engraved Replacement Kit
HQWA-W4SI-XX*	4 Scene with Raise/Lower Keypad
RKA-W4SI-XX*-E	Engraved Replacement Kit
HQWA-W5BI-XX*	5 Button Keypad
RKA-W5BI-XX*-E	Engraved Replacement Kit
HQWA-W5BRLI-XX*	5 Button with Raise/Lower Keypad
RKA-W5BRLI-XX*-E	Engraved Replacement Kit
HQWA-W5BIRI-XX*	5 Button with Raise/Lower Keypad and Infrared Receiver
RKA-W5BIRIXX*-E	Engraved Replacement Kit
HQWA-W6BI-XX*	6 Button Keypad
RKA-W6BI-XX*-E	Engraved Replacement Kit
HQWA-W6BRLI-XX*	6 Button with Raise/Lower Keypad
RKA-W6BRLI-XX*-E	Engraved Replacement Kit
HQWA-W7BI-XX*	7 Button Keypad
RKA-W7BI-XX*-E	Engraved Replacement Kit
HQWA-W1RLDI-XX*-E	Engraved Replacement Kit
RKA-W1RLDI-XX*	Dual Group with Raise/Lower Keypad
HQWA-W2RLDI-XX*	Dual Group with Dual Raise/Lower Keypad
RKA-W2RLDI-XX*-E	Engraved Replacement Kit
HQWA-W3BDI-XX*	Dual Group Keypad
RKA-W3BDI-XX*-E	Engraved Replacement Kit



\*\*XX" in the model number represents color / finish code. See **Colors and Finishes** at end of document.

# HomeWorks® QS Wired seeTouch® Architectural Keypads

## Specifications

<b>Model Numbers</b>	See pages 2 and 3 for complete lists of model numbers.
<b>Power</b>	24–36 V $\overline{=}$ 30 mA SELV/PELV/NEC® Class 2
<b>Typical Power Consumption</b>	0.6 W; 1 Power Draw Unit (PDU) Test conditions: all backlights on medium intensity, two LEDs on (two presets active), keypad powered at 24 V $\overline{=}$
<b>Regulatory Approvals</b>	UL, cUL, NOM
<b>Environment</b>	Ambient operating temperature: 32 °F to 104 °F (0 °C to 40 °C), 0% to 90% humidity, non-condensing. Indoor use only.
<b>Communications</b>	Connects to QS wired device link on Homeworks® QS processor.
<b>ESD Protection</b>	Tested to withstand electrostatic discharge without damage or memory loss, in accordance with IEC 61000-4-2.
<b>Surge Protection</b>	Tested to withstand surge voltages without damage or loss of operation, in accordance with IEEE C62.41-1991 Recommended Practice on Surge Voltages in Low-Voltage AC Power Circuits.
<b>Power Failure</b>	Power failure memory: should power be interrupted, the keypad will return to its previous state when power is restored.
<b>Mounting</b>	U.S. wallbox 3 1/2 in (89 mm) deep, 2 1/4 in (57 mm) deep minimum, or low-voltage mounting bracket
<b>Wiring</b>	Control wire must be 1 pair 18 AWG (1.0 mm <sup>2</sup> ) SELV/PELV/NEC® Class 2 for power and 1 pair 22 to 18 AWG (0.5 to 1.0 mm <sup>2</sup> ) SELV/PELV/NEC® Class 2 twisted/shielded for data (see <b>Wiring</b> ).
<b>Warranty</b>	<a href="http://www.lutron.com/TechnicalDocumentLibrary/Warranty.pdf">www.lutron.com/TechnicalDocumentLibrary/Warranty.pdf</a>

## Design Features

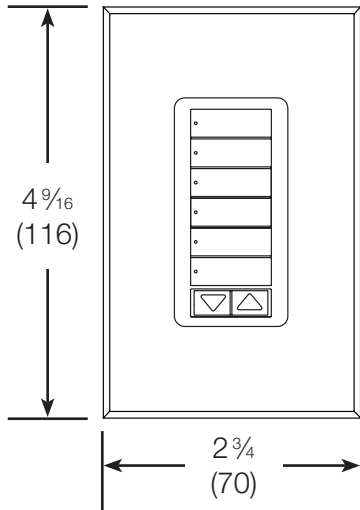
- Green status LEDs.
- Backlit button/engraving.
- Field-changeable Replacement Kits make for easy customization.
- All terminal block inputs are over-voltage and miswire-protected against wire reversals and shorts.
- Use Lutron® Nova T★® wallplates. Wallplates are included with the keypad.
- Lutron® Nova T★® wallplates snap on with no visible means of attachment.
- Use Replacement Kits to change color, button configuration, or engraving.

# HomeWorks<sup>®</sup> QS Wired seeTouch<sup>®</sup> Architectural Keypads

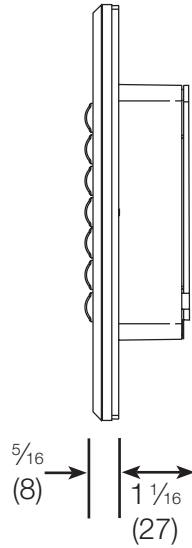
## Dimensions

All dimensions are shown as in (mm)

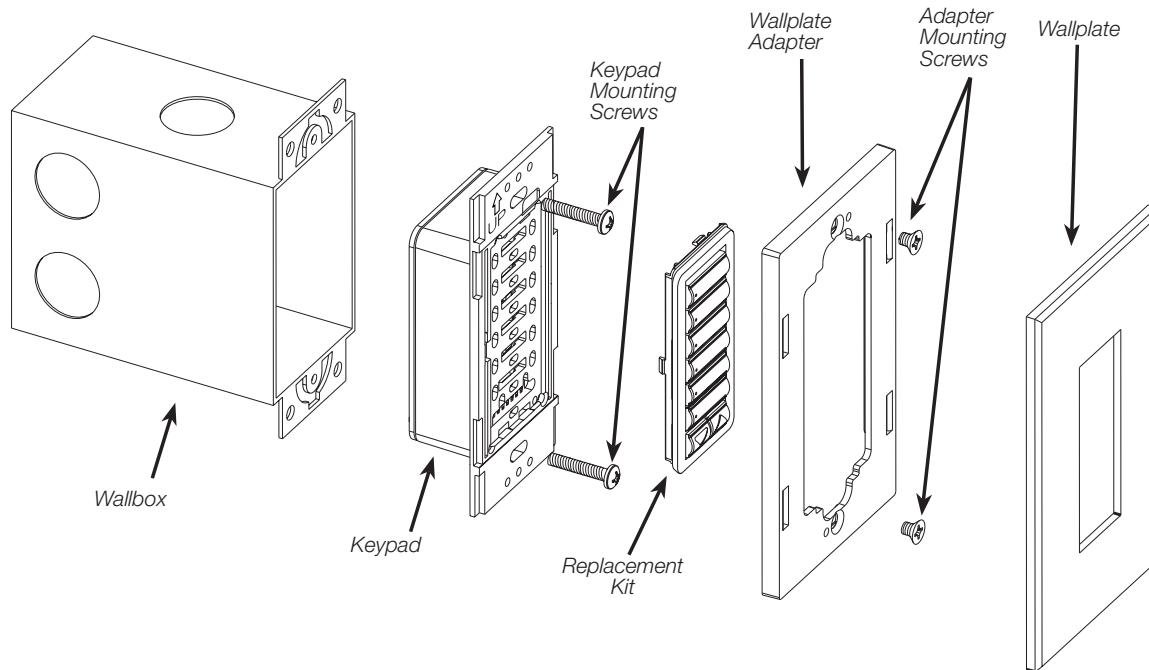
**Front View**



**Side View**

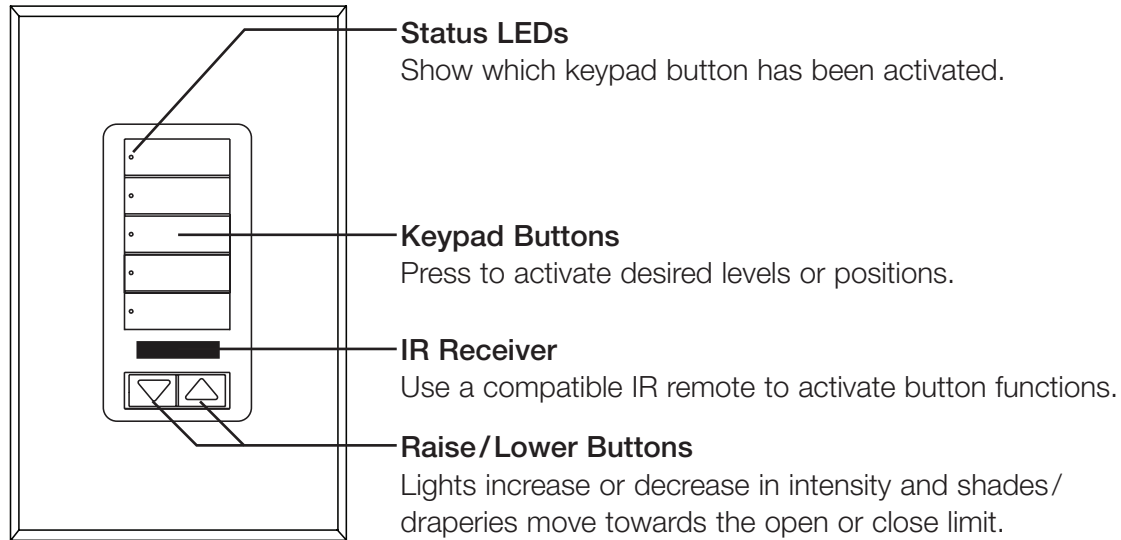


## Mounting and Parts Identification



# HomeWorks<sup>®</sup> QS Wired seeTouch<sup>®</sup> Architectural Keypads

## Operation



# HomeWorks<sup>®</sup> QS Wired seeTouch<sup>®</sup> Architectural Keypads

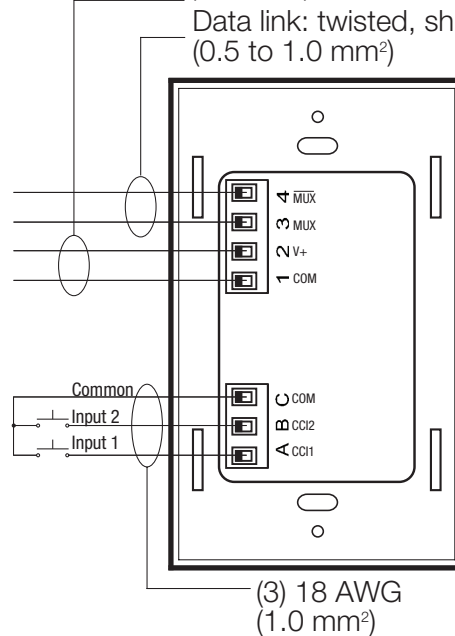
## Wiring

### Wiring Notes

- Keypad wiring may be in a daisy-chain, star or T-tap configuration.
- The total length of wire on a QS wired link is not to exceed 2000 ft (610 m).
- Up to 100 devices can be connected to the QS wired link. This can include seeTouch<sup>®</sup> keypads along with other devices as defined in the HomeWorks<sup>®</sup> QS software.
- An external power supply may be required depending on the total current draw of all wired devices on the processor link.

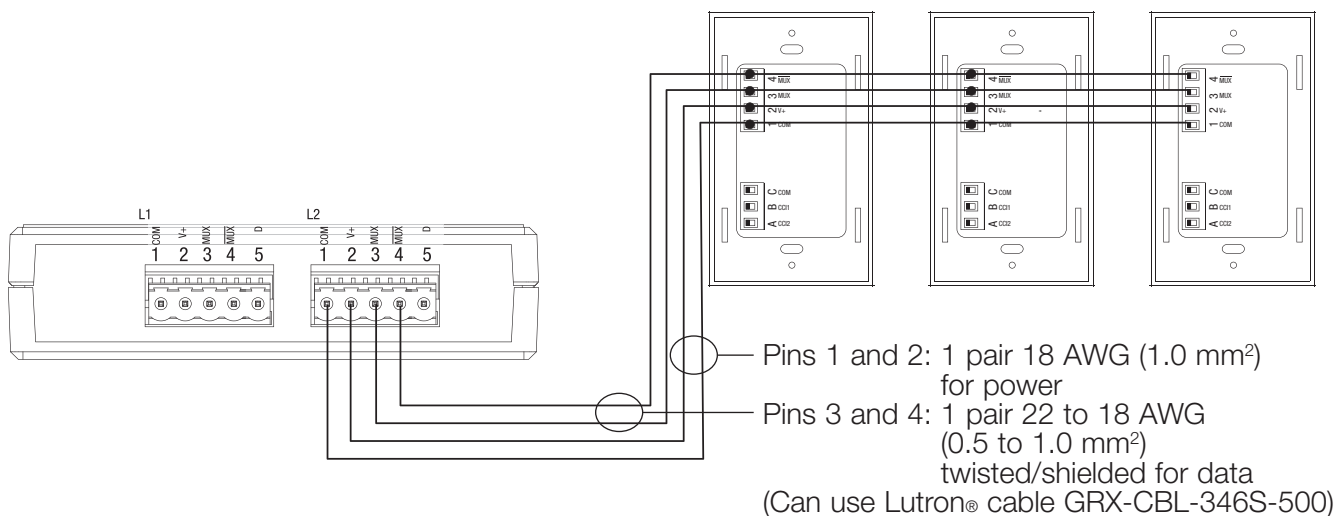
SELV/PELV/NEC<sup>®</sup> Class 2 control wiring:  
18 AWG (1.0 mm<sup>2</sup>)

Data link: twisted, shielded pair 22 to 18 AWG  
(0.5 to 1.0 mm<sup>2</sup>)



### Contact Closure Input

- Inputs must be dry contact closure, solid-state, open collector, or active-low (NPN) / active-high (PNP) output.
  - Open collector NPN or active-low on-state voltage must be less than 2 V<sub>DC</sub> and sink 3.0 mA
  - Open collector PNP or active-high on-state voltage must be greater than 12 V<sub>DC</sub> and source 3.0 mA
- Keypad is miswire protected up to 36 V<sub>DC</sub>.
- Outputs must stay in the closed or open states for at least 40 msec in order to be recognized by the keypad.



# HomeWorks® QS Wired seeTouch® Architectural Keypads

## Colors and Finishes

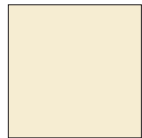
### Architectural Matte Finishes



White  
WH



Ivory  
IV



Almond  
AL



Light  
Almond  
LA



Gray  
GR



Brown  
BR



Black  
BL



Taupe  
TP



Sienna  
SI



Beige  
BE

### Architectural Metal Finishes (wallplates only)



Satin Brass  
SB



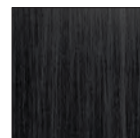
Bright Brass  
BB



Bright Chrome  
BC



Clear Anodized  
Aluminum  
CLA



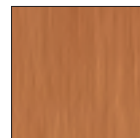
Black Anodized  
Aluminum  
BLA



Brass Anodized  
Aluminum  
BRA



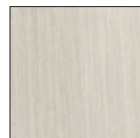
Antique Brass  
QB



Antique Bronze  
QZ



Satin Chrome  
SC



Satin Nickel  
SN



Bright Nickel  
BN



Gold  
AU

When ordering metal wallplates, it is recommended to order the keypad in Black (BL).

- Due to printing limitations, colors and finishes shown cannot be guaranteed to perfectly match actual product colors.
- Color chip keychains are available for more precise color matching:  
Architectural Matte Finishes: AM-CK-1;  
Architectural Metal Finishes: AMTL-CK-1