

HomeWorks® QS Wired seeTouch® Designer Keypads

HomeWorks® QS seeTouch® keypads provide homeowners with a simple and elegant way to operate lights, shades/draperies, motorized screens, thermostats, and many other devices.

HomeWorks® QS seeTouch® keypads feature large, easy-to-use buttons, plus a unique backlit engraving option that makes the keypads readable any time of the day or night. seeTouch® buttons are rounded, allowing engraving to be displayed at an upward angle, increasing readability.

Replacement Kits are available in a variety of colors and with custom engraving to clearly identify each button's function. The flexible design of the keypads allows the color, number of buttons, and button configuration to be changed by installing a new engraved Replacement Kit.

HomeWorks® QS wired seeTouch® models have two contact closure inputs on the back of the unit which provide independent functions from the front buttons. Other options include configurations with infrared receiver and raise/lower buttons.

Use Lutron® Designer (Claro® or Satin Colors®) wallplates. Wallplates are sold separately. Lutron® Claro® and Satin Colors® wallplates snap on with no visible means of attachment.



Model Numbers

HQWD-W1B-XX*	1 Button Keypad
RKD-W1B-XX*-E	Engraved Replacement Kit
HQWD-W2BS-XX*	2 Button Keypad
RKD-W2BS-XX*-E	Engraved Replacement Kit
HQWD-W3BS-XX*	3 Button Keypad
RKD-W3BS-XX*-E	Engraved Replacement Kit
HQWD-W3BSRL-XX*	3 Button with Raise/Lower Keypad
RKD-W3BSRL-XX*-E	Engraved Replacement Kit
HQWD-W3S-XX*	3 Scene with Raise/Lower Keypad
RKD-W3S-XX*-E	Engraved Replacement Kit
HQWD-W4BS-XX*	4 Button Keypad
RKD-W4BS-XX*-E	Engraved Replacement Kit
HQWD-W4S-XX*	4 Scene with Raise/Lower Keypad
RKD-W4S-XX*-E	Engraved Replacement Kit
HQWD-W5B-XX*	5 Button Keypad
RKD-W5B-XX*-E	Engraved Replacement Kit
HQWD-W5BRL-XX*	5 Button with Raise/Lower Keypad
RKD-W5BRL-XX*-E	Engraved Replacement Kit

HQWD-W5BIR-XX*	5 Button with Raise/Lower Keypad and Infrared Receiver
RKD-W5BIR-XX*-E	Engraved Replacement Kit
HQWD-W6B-XX*	6 Button Keypad
RKD-W6B-XX*-E	Engraved Replacement Kit
HQWD-W6BRL-XX*	6 Button with Raise/Lower Keypad
RKD-W6BRL-XX*-E	Engraved Replacement Kit
HQWD-W7B-XX*	7 Button Keypad
RKD-W7B-XX*-E	Engraved Replacement Kit
HQWD-W1RLD-XX*-E	Dual Group with Raise/Lower Keypad
RKD-W1RLD-XX*	Engraved Replacement Kit
HQWD-W2RLD-XX*	Dual Group with Dual Raise/Lower Keypad
RKD-W2RLD-XX*-E	Engraved Replacement Kit
HQWD-W3BD-XX*	Dual Group Keypad
RKD-W3BD-XX*-E	Engraved Replacement Kit

XX" in the model number represents color/finish code. See **Colors and Finishes at end of document.

HomeWorks® QS Wired seeTouch® Designer Keypads

Specifications

Model Numbers	<p>Keypads: HQWD-W1B, HQWD-W2BS, HQWD-W3BS, HQWD-W3BSRL, HQWD-W3S, HQWD-W4BS, HQWD-W4S, HQWD-W5B, HQWD-W5BRL, HQWD-W5BIR, HQWD-W6B, HQWD-W6BRL, HQWD-W7B, HQWD-W1RLD, HQWD-W2RLD, HQWD-W3BD</p> <p>Replacement Kits: RKD-W1B-XX-E, RKD-W2BS-XX-E, RKD-W3BS-XX-E, RKD-W3BSRL-XX-E, RKD-W3S-XX-E, RKD-W4BS-XX-E, RKD-W4S-XX-E, RKD-W5B-XX-E, RKD-W5BRL-XX-E, RKD-W5BIR-XX-E, RKD-W6B-XX-E, RKD-W6BRL-XX-E, RKD-W7B-XX-E, RKD-W1RLD-XX-E, RKD-W2RLD-XX-E, RKD-W3BD-XX-E</p>
Power	24–36V $\overline{=}$ 30 mA SELV/PELV/NEC® Class 2
Typical Power Consumption	0.6 W; 1 Power Draw Unit (PDU) Test conditions: all backlights on medium intensity, two LEDs on (two presets active), keypad powered at 24 V $\overline{=}$
Regulatory Approvals	UL®, cUL®, NOM, FCC, IC, COFETEL
Environment	Ambient operating temperature: 32 °F to 104 °F (0 °C to 40 °C), 0% to 90% humidity, non-condensing. Indoor use only.
Communications	Connects to QS wired device link on Homeworks® QS processor.
ESD Protection	Tested to withstand electrostatic discharge without damage or memory loss, in accordance with IEC 61000-4-2.
Surge Protection	Tested to withstand surge voltages without damage or loss of operation, in accordance with IEEE C62.41-1991 Recommended Practice on Surge Voltages in Low-Voltage AC Power Circuits.
Power Failure	Power failure memory: should power be interrupted, the keypad will return to its previous state when power is restored.
Mounting	U.S. wallbox 3 1/2 in (89 mm) deep, 2 1/4 in (57 mm) deep minimum, or low-voltage mounting bracket
Wiring	Control wire must be 1 pair 18 AWG (1.0 mm ²) SELV/PELV/NEC® Class 2 for power and 1 pair 22 AWG to 18 AWG (0.5 mm ² to 1.0 mm ²) SELV/PELV/NEC® Class 2 twisted/shielded for data (see Wiring).
Warranty	www.lutron.com/TechnicalDocumentLibrary/Warranty.pdf

Design Features

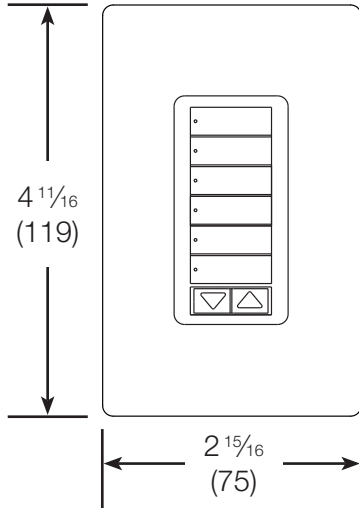
- Green status LEDs.
- Backlit button/engraving.
- Field-changeable Replacement Kits make for easy customization.
- All terminal block inputs are over-voltage and miswire-protected against wire reversals and shorts.
- Use Lutron® Designer (Claro® or Satin Colors®) wallplates. Wallplates are sold separately.
- Lutron® Claro® and Satin Colors® wallplates snap on with no visible means of attachment.
- Use Replacement Kits to change color, button configuration, or engraving.

HomeWorks[®] QS Wired seeTouch[®] Designer Keypads

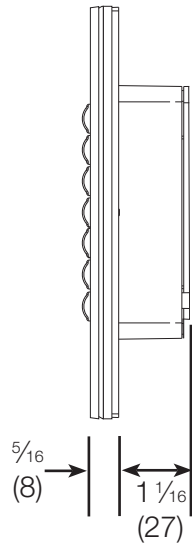
Dimensions

All dimensions are shown as $\frac{\text{in}}$ (mm)

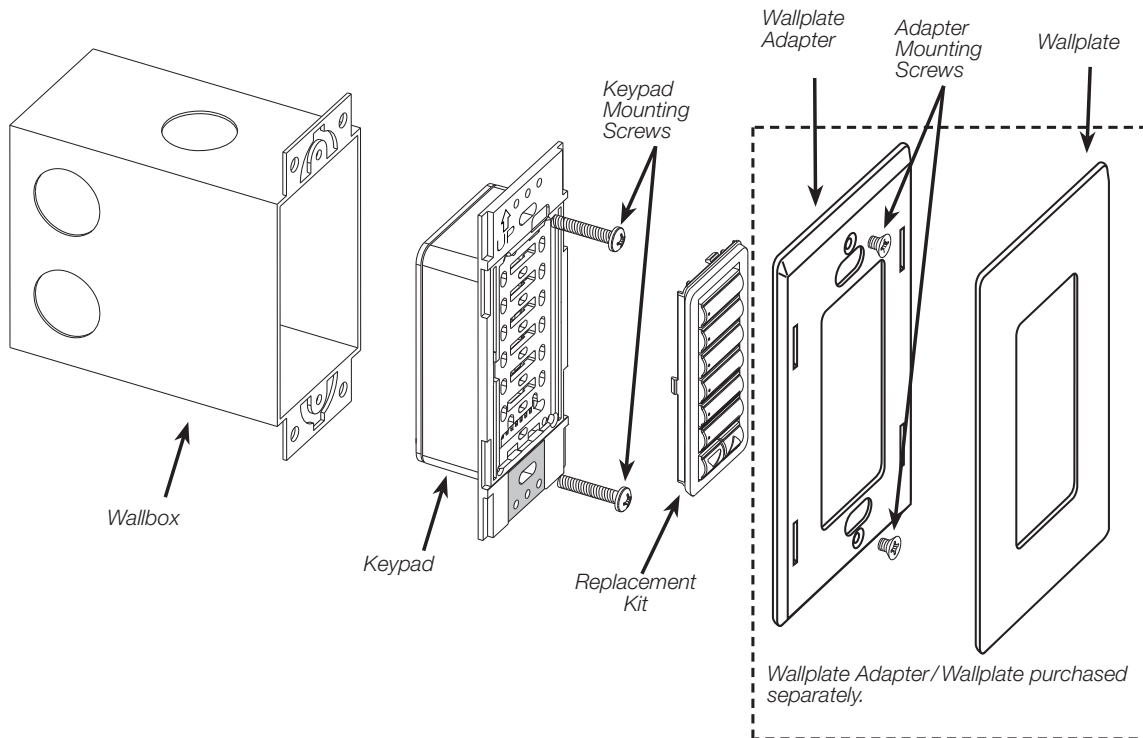
Front View



Side View

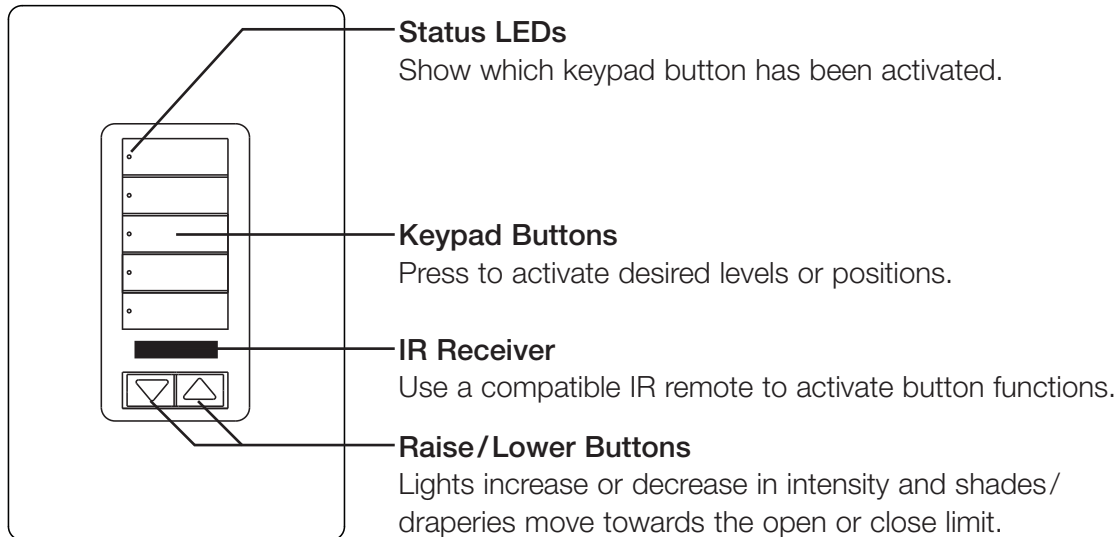


Mounting and Parts Identification



HomeWorks[®] QS Wired seeTouch[®] Designer Keypads

Operation



HomeWorks[®] QS Wired seeTouch[®] Designer Keypads

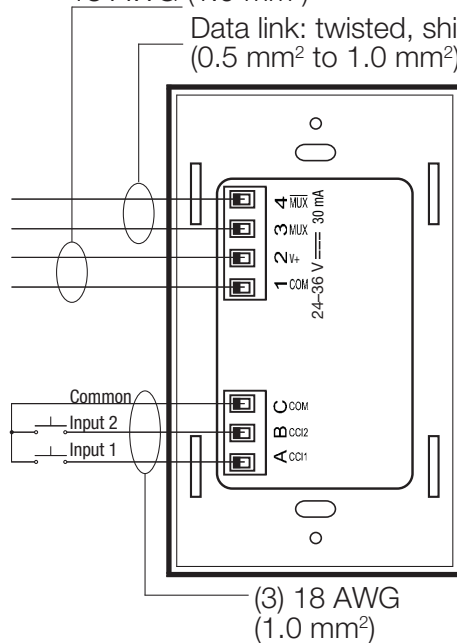
Wiring

Wiring Notes

- Keypad wiring may be in a daisy-chain, star or T-tap configuration.
- The total length of wire on a QS wired link is not to exceed 2000 ft (610 m).
- Up to 100 devices can be connected to the QS wired link. This can include seeTouch[®] keypads along with other devices as defined in the HomeWorks[®] QS software.
- An external power supply may be required depending on the total current draw of all wired devices on the processor link.

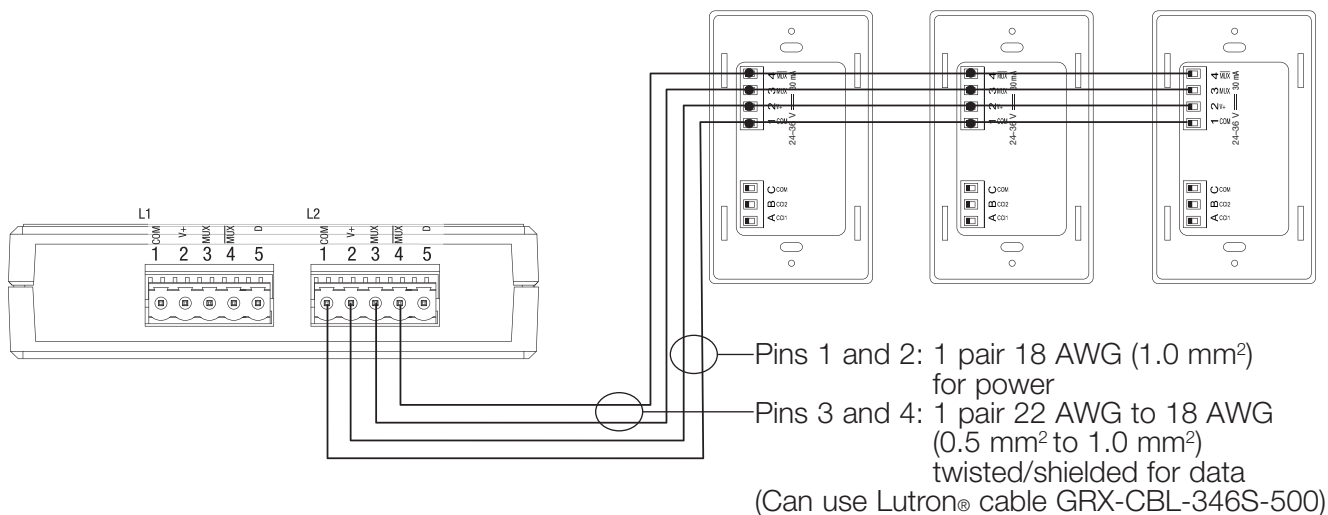
SELV/PELV/NEC[®] Class 2 control wiring:
18 AWG (1.0 mm²)

Data link: twisted, shielded pair 22 AWG to 18 AWG
(0.5 mm² to 1.0 mm²)



Contact Closure Input

- Inputs must be dry contact closure, solid-state, open collector, or active-low (NPN) / active-high (PNP) output.
 - Open collector NPN or active-low on-state voltage must be less than 2 V_{DC} and sink 3.0 mA
 - Open collector PNP or active-high on-state voltage must be greater than 12 V_{DC} and source 3.0 mA
- Keypad is miswire protected up to 36 V_{DC}.
- Outputs must stay in the closed or open states for at least 40 msec in order to be recognized by the keypad.



HomeWorks® QS Wired seeTouch® Designer Keypads

Colors and Finishes

Gloss Finishes



White
WH



Ivory
IV



Almond
AL



Light
Almond
LA



Gray
GR



Brown
BR



Black
BL

Satin Finishes



Hot
HT



Merlot
MR



Plum
PL



Turquoise
TQ



Taupe
TP



Eggshell
ES



Biscuit
BI



Snow
SW



Palladium
PD



Midnight
MN



Sienna
SI



Terracotta
TC



Greenbriar
GB



Bluestone
BG



Mocha
Stone
MS



Goldstone
GS



Desert Stone
DS



Stone
ST



Limestone
LS

- Due to printing limitations, colors and finishes shown cannot be guaranteed to perfectly match actual product colors.
- Color chip keychains are available for more precise color matching:

Gloss Finishes: DG-CK-1;
Satin Finishes: SC-CK-1

Metal Finish (wallplate only)



Stainless Steel
SS

When using Stainless Steel wallplates, it is recommended to order the keypad in Midnight (MN).