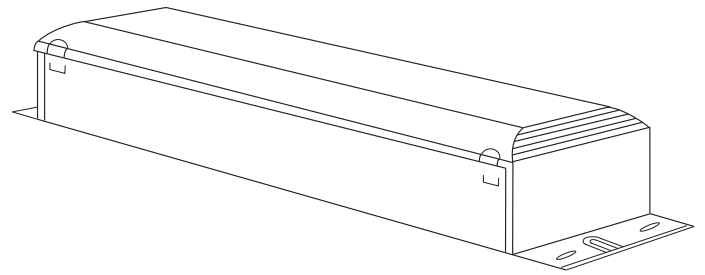


## Ballast Control Interface

The Ballast Control Interface (BCI) provides an interface for 0–10 V<sub>DC</sub> controllers to work with Lutron® 3-wire dimmable ballasts, drivers, or interfaces (120–277 V<sub>AC</sub>).



### Features

- Controls up to 16 A of Lutron® 3-wire dimmable ballasts, drivers, or interfaces
- Requires 120–277 V<sub>AC</sub> 50/60 Hz power for internal operations

### Model Available:

- BCI-0-10

Job Name:	Model Numbers:
Job Number:	

## Specifications

### Regulatory Approvals

- UL® Listed
- Listed Energy Management Equipment 5C81
- CSA Listed

### Power / Performance

- Control Input Voltage: 0–10 V<sub>DC</sub>
- Control Input Current: Source 500 µA
- Compatible Voltage: 120–277 V<sub>AC</sub> 50/60 Hz  
(phase independent of 0–10 V<sub>DC</sub> dimming)

### Key Design Features

- Capable of interfacing 0–10 V<sub>DC</sub> controllers to Lutron® 3-wire dimmable ballasts, drivers, or interfaces
- Controls up to 16 A of Lutron® 3-wire dimmable ballasts, drivers, or interfaces

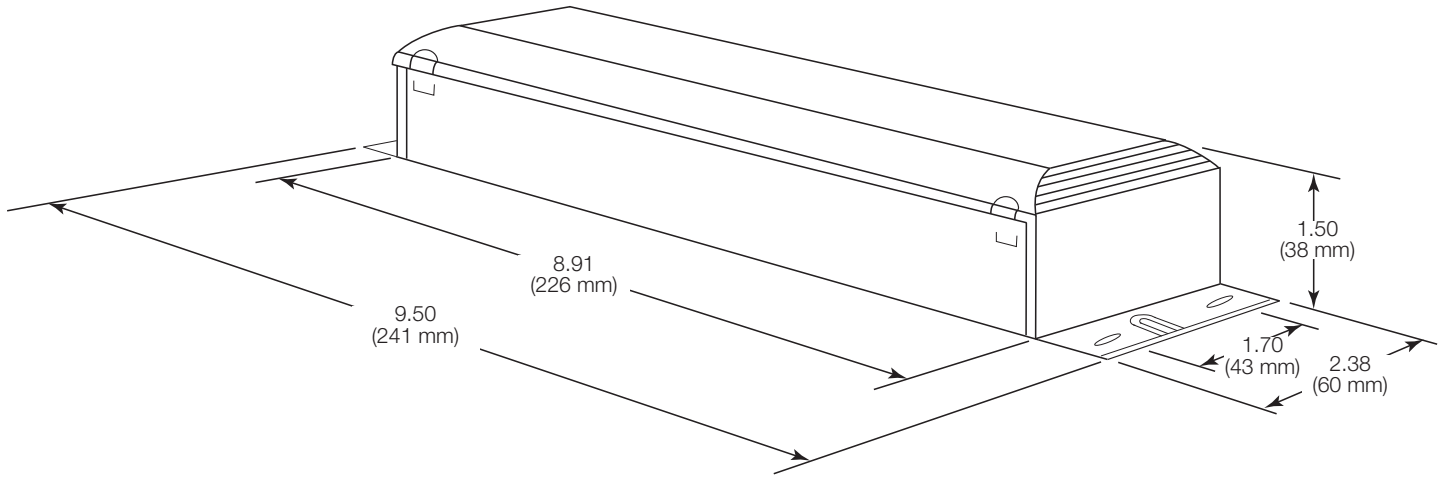
### Environment and Operating Temperature

- Relative Humidity: maximum 90% non-condensing
- 32 °F to 104 °F (0 °C to 40 °C)
- Indoor use only
- Maximum Operating Temperature: 167 °F (75 °C)  
on case

Job Name:	Model Numbers:
Job Number:	

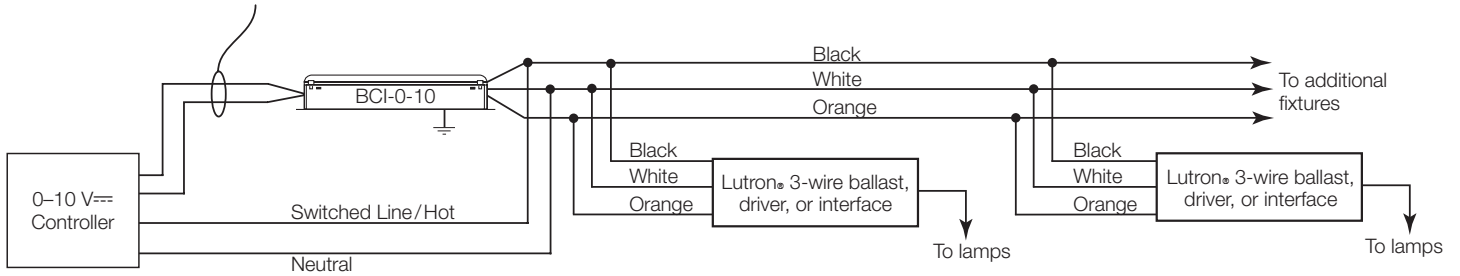
### Dimensions

Dimensions shown as: in (mm)



### Wiring Diagram

**NOTICE: 0-10 V<sub>DC</sub> Controller Signal Wires**  
 DO NOT CONNECT TO LINE VOLTAGE.  
 Lutron is not liable for damage due to mis-wiring.



**NOTE:** The BCI-0-10 interface can be located in any fixture on the circuit. It does not need to be in the first fixture.

Job Name:	Model Numbers:
Job Number:	