

## Stairwell Retrofit Kit Solution

The Stairwell Retrofit Kit Solution converts T12, T8, or T5 fluorescent fixtures into a Lutron® wireless stairwell solution that saves energy, lowers costs, and meets stairwell safety code requirements. The fixture will work with Lutron® Radio Powr Savr™ occupancy sensors (sold separately) to control the stairwell lighting.

### Features

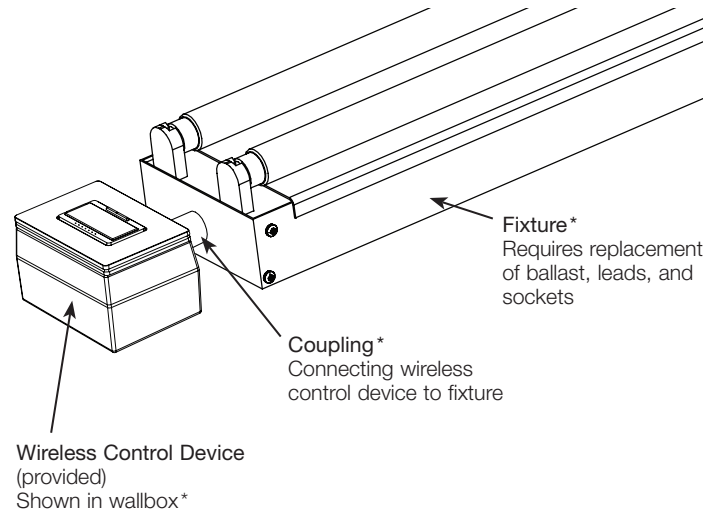
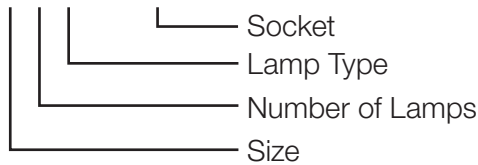
- Universal input voltage 120/277 V~
- Fixture defaults to occupied light level if sensor is unavailable
- A single fixture can be associated with up to 9 occupancy sensors, and up to 9 fixtures can be associated to a single occupancy sensor within RF range
- Wireless control device has occupied (high-end) and unoccupied (low-end) levels that can be preset to a specific location's code requirements for lighted stairwells

### Models Available

For a complete list of available model numbers, please see the **Ordering Guide** on page 3.

Configuration:

**FXRSSWXX \_ \_ \_ U82- \_**



\*Not included with kit, provided by contractor

Job Name:	Model Numbers:
Job Number:	

## Specifications

### Regulatory Approvals

- Approved to UL® and CSA standards
- Meets ASHRAE 90.1 2010 additional control (9.4.1.6)
- IGCC (International Green Construction Code) Interior Light Reduction Controls (609.3) compliant

### Power / Performance

- Universal input voltage 120/277 V~
- Total Harmonic Distortion (THD) <10%
- Power factor >0.9
- Class A sound rating

### Environment

- 50 °F to 104 °F (10 °C to 40 °C)
- Relative humidity less than 90% non-condensing
- For indoor/dry location use only

### RF Range (sensor to wireless control device)

- 60 ft (18 m) line of sight
- 30 ft (9 m) through normal construction

### Lamps

- Lamps are not included with fixture
- Use only with lamps conforming to the IEC 60081/60901 specification; Lutron recommends Sylvania, GE, or Philips lamps for proper dimming performance
- Refer to lamp manufacturer for lamp burn-in requirements
- Reduced-wattage T8 lamps are able to dim to a minimum of 10% with an EcoSystem® reduced-wattage dimming ballast; 32 W T8 ballasts will not operate the reduced-wattage lamps

### Key Design Features

- Retrofit Kit Solution is available with factory default settings of 80% (occupied) and 20% (unoccupied)
- Occupied light level (high-end) and unoccupied light level (low-end) are field-adjustable
- Integral FASS™ (Front Accessible Service Switch) at the bottom of the wireless control device provides 100% light output or emergency mode
- Smooth, flicker free dimming

### Stairwell Retrofit Kit Solution includes:

- Wireless control device
- Claro® single-gang white wallplate
- Prewired Lutron® 1% dimming ballast
  - 40 in (1016 mm) lamp
  - 18 in (457 mm) power lead
- Rapid start sockets (optional)

### Not included (contractor provided):

- Single-gang wallbox (for mounting wireless control device)
- Coupling to connect wallbox to existing fixture
- Wire for power connection
- 18 AWG (1.0 mm<sup>2</sup>) solid jumper wires required for yellow socket connections in 2-Lamp (2 wires) and 3-Lamp (4 wires) applications, wired in parallel
- Lutron® Radio Powr Savr™ wireless occupancy sensor
  - Note:** Not compatible with Radio Powr Savr™ daylight sensors or Pico® wireless controls.
- Fixture lamps. For optimal performance, install new lamps with installation.

Job Name:	Model Numbers:
Job Number:	

## Ordering Guide

Select appropriate code in each column to complete model number.

Example: FXRSSWXX12114U82XX

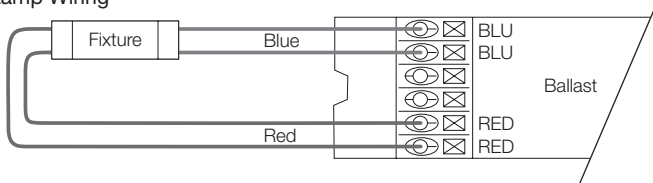
Product	Family	Type	Size	Number of Lamps	Lamp Type	Region	Controls	Sockets	
<b>FXRS</b> Fixture Retrofit Kit Solution	<b>SW</b> Stairwell	<b>XX</b> Standard	<b>12</b> 1 x 2 ft	<b>1</b> 1 lamp	<b>14</b> 14 W T5HE 2 ft	<b>U</b> UL–North America	<b>82</b> 80% Occupied 20% Unoccupied	<b>XX</b> None	
			<b>13</b> 1 x 3 ft	<b>2</b> 2 lamp	<b>17</b> 17 W T8 2 ft				<b>SK</b> 2 Sockets per lamp
			<b>14</b> 1 x 4 ft	<b>3</b> 3 lamp	<b>21</b> 21 W T5HE 3 ft				
			<b>18</b> 1 x 8 ft	<b>4</b> 4 lamp	<b>24</b> 24 W T5HO 2 ft				
					<b>25</b> 25 W T8 3 ft				
					<b>28</b> 28 W T5HE 4 ft				
					<b>32</b> 32 W T8 4 ft				
					<b>39</b> 39 W T5HO 3 ft				
					<b>54</b> 54 W T5HO 4 ft				
					<b>RW</b> 25, 28, 30 W Reduced Wattage 4 ft				

<b>Job Name:</b>	<b>Model Numbers:</b>
<b>Job Number:</b>	

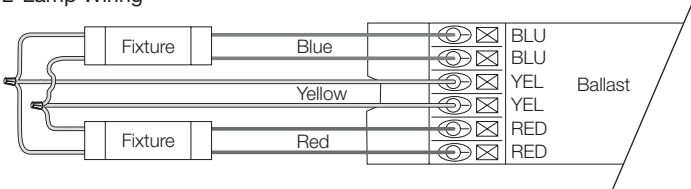
# Wiring Diagram

For lamp wiring, consult the wiring diagram on the ballast. Refer to the instructions that came with your ballast for additional ballast details.

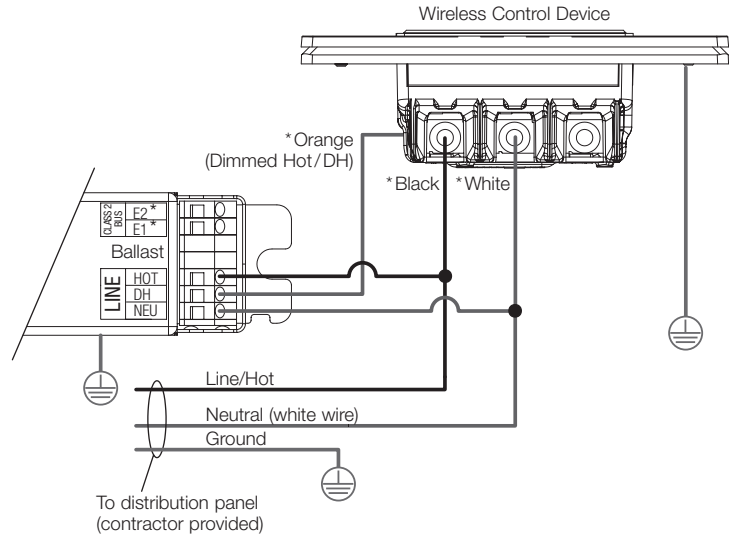
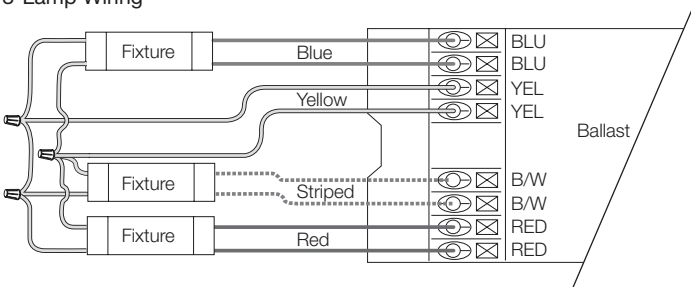
### 1-Lamp Wiring



### 2-Lamp Wiring



### 3-Lamp Wiring



\* Not included with kit, provided by contractor

Job Name:	Model Numbers:
Job Number:	