

# Linear Recessed Parabolic Fixture

Lutron® Linear Recessed Parabolic Fixtures are a cost-effective solution for creating an ideal visual environment in general office spaces. Designed with polished aluminum parabolic louvers, these energy efficient fluorescent luminaires eliminate excessive brightness by offering a sharp cut-off level, effectively focusing the light directly downward.

## Features

- Universal input voltage 120/277 V~
- Design provides true parabolic contour and maximum photometric efficiency with superior brightness control
- Integral seals prevent light leaks without the need for gasketing. Hinges and spring-loaded latches allow louvers to swing down for relamping
- Recessed parabolic 2 x 2 ft or 2 x 4 ft fixture
- 3 in (76 mm) deep, pre-anodized aluminum louvers with semi-specular finish, 6, 9, 12 or 18 cells
- Also available: Emergency ballast battery backup
- IEC rated rotary locking sockets (lampholders)



2 x 2 ft Fixture



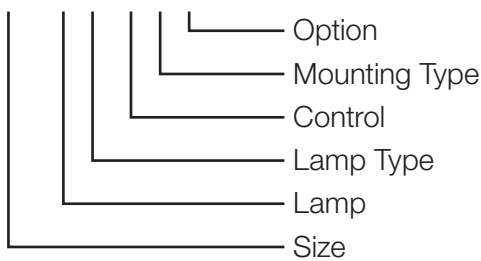
2 x 4 ft Fixture

## Models Available

For a complete list of available model numbers, please see the **Ordering Guide** on page 3.

Configuration:

**FXLRPG\_SL - U - - WH**



Job Name:	Model Numbers:
Job Number:	

## Specifications

### Regulatory Approvals

- Approved to UL® and CSA standards

### Power / Performance

- Universal input voltage 120/277 V~
- Total Harmonic Distortion (THD) <20%
- Power factor >0.9
- Class A sound rating
- Dimming Range: 100% to 1% of total light output

### Environment

- 50 °F to 104 °F (10 °C to 40 °C)
- Relative humidity less than 90% non-condensing
- For indoor use only

### Controls

The following controls (EcoSystem® or 3-wire models) are available for use with Lutron® dimmable fixtures:

- GRAFIK Eye® QS
- Quantum®
- Maestro Wireless®
- Nova®
- Skylark®
- Vareo®
- GRAFIK Eye®
- Energi Savr Node™
- Nova T★®
- Diva®
- Ariadni®
- PowPak™

### Lamps

- Use only with lamps conforming to the IEC 60081/60901 specification; Lutron recommends Sylvania, GE, or Philips lamps for proper dimming performance
- Lamps are not included with fixture
- 2 or 3 lamp configurations available in T8, T8 U-bend, T5HE, or T5HO lamp options
- Refer to lamp manufacturer for lamp burn-in requirements

### Key Design Features

- Design provides true parabolic contour and maximum photometric efficiency with superior brightness control
- Integral seals prevent light leaks without the need for gasketing. Hinges and spring-loaded latches allow louvers to swing down for relamping
- Designed to lay into standard NEMA Type G grid (suspended ) T-bar ceilings
- Gypsum ceiling and surface mount options available
- Housing and ends are die-formed pre-painted 22 gauge steel, with interlocking tabs and screws
- Side mounted T-bar clips
- Quick access plate for easy power connections
- High-reflectance, low-glare satin white reflector provides soft, uniform indirect light distribution
- Reveal areas and hardware have non-reflective black finish to create a floating louver appearance
- 3 in (76 mm) deep, pre-anodized aluminum louvers with semi-specular finish, 6, 9, 12 or 18 cells
- Louver is easily removed providing easy lamp access for relamping
- Ballast cover and louvers are removable/reversible without tools
- IEC rated rotary locking sockets (lampholders)
- Smooth, continuous flicker free dimming

<p><b>Job Name:</b></p> <p><b>Job Number:</b></p>	<p><b>Model Numbers:</b></p>
--	------------------------------

## Ordering Guide

Select appropriate code in each column to complete model number.

Example: FXLRPG22SL214UHSTBXXWH

Product	Family	Fixture Type	Size	Lens	Lamp	Lamp Type	Region	Control	Mounting Type	Option	Color/ Finish
<b>FX=</b> Fixtures	<b>LR=</b> Linear Recessed	<b>PG=</b> Parabolic	<b>22=</b> 2 x 2 ft	<b>SL=</b> Standard	<b>2=</b> 2 Lamp	<b>14=</b> 14 W T5HE (2 ft Only)	<b>U=</b> UL-North America	<b>HS=</b> EcoSystem® H-Series 1% Dimming Ballast	<b>TB=</b> T-bar	<b>XX=</b> None	<b>WH=</b> Matte White
			<b>24=</b> 2 x 4 ft		<b>3=</b> 3 Lamp (T8 Only)	<b>17=</b> 17 W T8 (2 ft Only)		<b>HD=</b> H-lume® 3D 1% Dimming Ballast	<b>GY=</b> Gypsum	<b>E1=</b> T8/T5HE Emergency Ballast <sup>2</sup>	
						<b>24=</b> 24 W T5HO (2 ft Only)			<b>SM=</b> Surface Mount	<b>E2=</b> T5HO/ T5HE Emergency Ballast <sup>2</sup>	
						<b>28=</b> 28 W T5HE (4 ft Only)					
						<b>32=</b> 32 W T8 (4 ft or U-bend)					
						<b>50=</b> 50 W T5 Twin-tube <sup>1</sup> (2 ft Only)					
						<b>54=</b> 54 W T5HO (4 ft Only)					
						<b>RW</b> 25, 28, 30 W T8 Reduced Wattage (4 ft Only)					

<sup>1</sup> T5 twin-tube lamps can only dim to 5%

<sup>2</sup> Emergency ballast is determined by **Lamp Type**

<b>Job Name:</b>	<b>Model Numbers:</b>
<b>Job Number:</b>	

# Photometric Data

## 2x4 ft 2 Lamp T8 32 W 12 Cell Parabolic Fixture Luminaire (FXLRPG24SL232U\_-\_-WH)

Tested with: 2 Philips T8 32 W Lamps rated at 2850 lm each

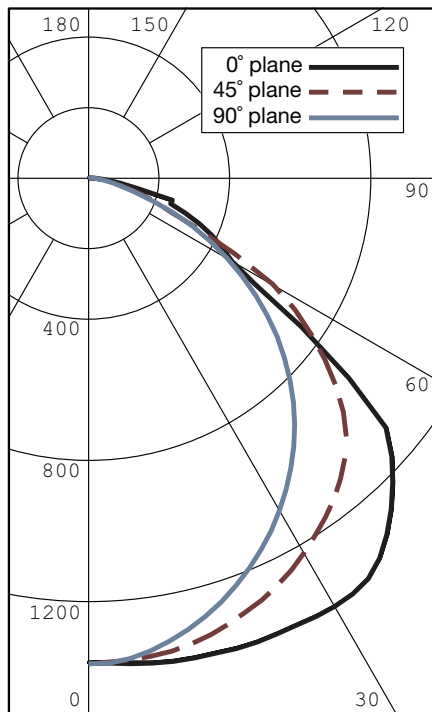
Photometric Summary	
LIGHT OUTPUT (lm)	3781
INPUT POWER (W)	69.81
EFFICACY (lm/W)	54.2
LUMINAIRE EFFICIENCY	66.3

Zonal Lumen Summary		
Zone	lm	% Luminaire
0-30	1097	19.25
0-60	3255	57.11
0-90	3781	66.34
90-180	0	0
0-180	3781	66.34

Candela Table			
Angle	0°	45°	90°
0	1373	1373	1373
5	1365	1369	1373
45	810	1035	1221
90	0	0	0

### Candela Plot

(measured with fixture mounted on the ceiling)



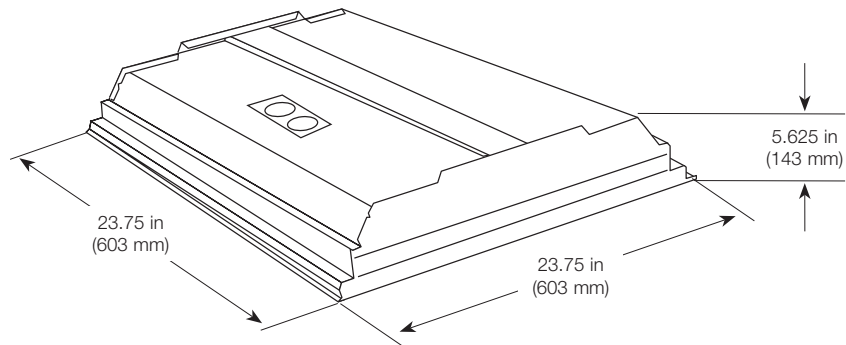
**NOTES:**

- IES data available upon request. Please email fixtures@lutron.com or contact Lutron® Technical Support at 1.800.523.9466.
- Photometric test results from LM-79 reports.

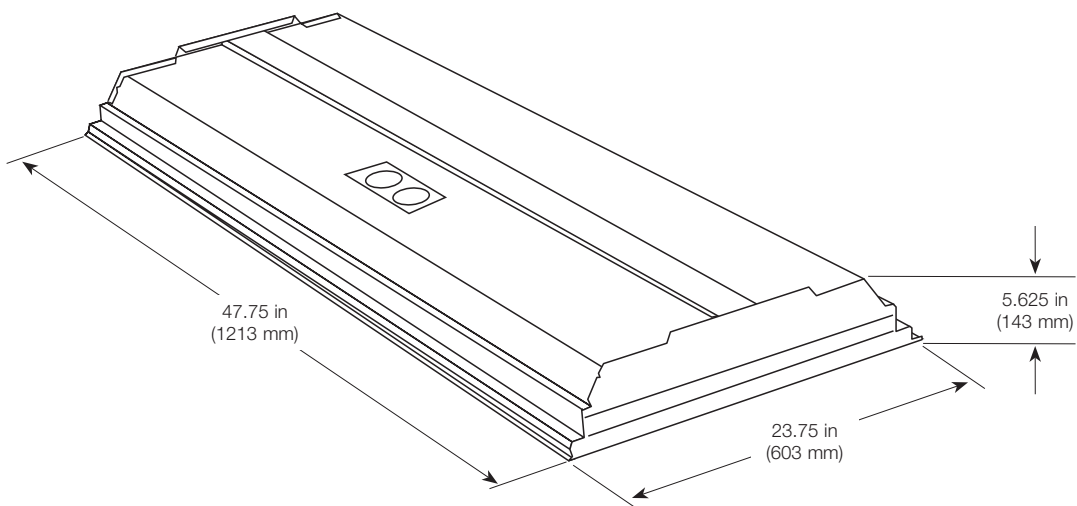
Job Name:	Model Numbers:
Job Number:	

# Product Dimensions

2 x 2 ft Fixture



2 x 4 ft Fixture



Job Name:	Model Numbers:
Job Number:	