

## Linear Recessed Wall Wash Fixture

Lutron® Linear Recessed Wall Wash Fixtures provide even, unscalped illumination and uniform vertical surface lighting, which is ideal for large wall areas highlighting art and displays. These fluorescent luminaires' reflectors are designed to cascade light while reducing glare.



### Features

- Universal input voltage 120/277 V~
- Design provides even, unscalped illumination with no glare and offers excellent lamp shielding
- Recessed 1 x 2 ft wall wash fixture
- Single lamp, 50 W, T5 twin-tube compact fluorescent lamp
- Single-piece aluminum reflector
- Reflector removes without tools
- Smooth, continuous flicker free dimming from 100% to 5% measured light
- Chicago plenum models available
- IEC rated sockets (lampholders)

### Models Available

For a complete list of available model numbers, please see the **Ordering Guide** on page 3.

Configuration:

**FXLRWW12SL150UHD\_ \_WH**



<p>Job Name:</p>  <p>Job Number:</p>	<p>Model Numbers:</p>
--	-----------------------

## Specifications

### Regulatory Approvals

- Approved to UL® and CSA standards

### Power / Performance

- Universal input voltage 120/277 V~
- Total Harmonic Distortion (THD) <20%
- Power factor >0.9
- Class A sound rating
- Dimming range: 100% to 5% of total light output

### Environment

- 50 °F to 104 °F (10 °C to 40 °C)
- Relative humidity less than 90% non-condensing
- For indoor use only

### Controls

The following controls are available for use with Lutron® dimmable fixtures:

- GRAFIK Eye® QS
- Quantum®
- Maestro Wireless®
- Nova®
- Skylark®
- Vareo®
- GRAFIK Eye®
- Energi Savr Node™
- Nova T★®
- Diva®
- Ariadni®
- PowPak™

### Lamps

- Requires one 50 W T5 twin-tube 3500 °K fluorescent lamp (biax CFL; not included with the fixture)
  - GE number F50BX/SPX35/RS
  - Philips number PL-L50W835/RS
- Consult lamp manufacturer for lamp seasoning requirements prior to dimming

### Key Design Features

- Designed to lay into standard NEMA Type G grid (suspended T-bar) ceilings
- Gypsum ceiling and surface mount options available
- Fixture is made of 22 gauge cold-rolled steel
- Metal housing is finished with a post painted white TGIC polyester powder coat
- Quick access plate permits convenient power connections
- 99.9% high purity diffuse aluminum reflector
- Smooth, continuous flicker free dimming

<p>Job Name:</p>  <p>Job Number:</p>	<p>Model Numbers:</p>
--	-----------------------

## Ordering Guide

Select appropriate code in each column to complete model number.

Example: FXLRWW12SL150UHDTBXXWH

Product	Family	Fixture Type	Size	Lens	Lamp	Lamp Type	Region	Control	Mounting Type	Option	Color/ Finish
<b>FX=</b> Fixtures	<b>LR=</b> Linear Recessed	<b>WW=</b> Wall Wash	<b>12=</b> 1 x 2 ft	<b>SL=</b> Standard	<b>1=</b> 1 Lamp	<b>50=</b> 50 W T5 Twin-tube	<b>U=</b> UL-North America	<b>HD=</b> H-lume® 3D 5% Dimming Ballast	<b>TB=</b> T-bar	<b>XX=</b> None	<b>WH=</b> Matte White
									<b>GY=</b> Gypsum	<b>E3=</b> Emergency Ballast	
									<b>SM=</b> Surface Mount		

<b>Job Name:</b>	<b>Model Numbers:</b>
<b>Job Number:</b>	

# Photometric Data

## 1 x 2 ft 1 Lamp T5 Twin-tube 50 W Wall Wash Fixture (FXLRWW12SL150UHD\_-\_WH)

Tested with: 1 Philips T5 Twin-tube 50 W Lamp with 4100 CCT rated at 4300 lm

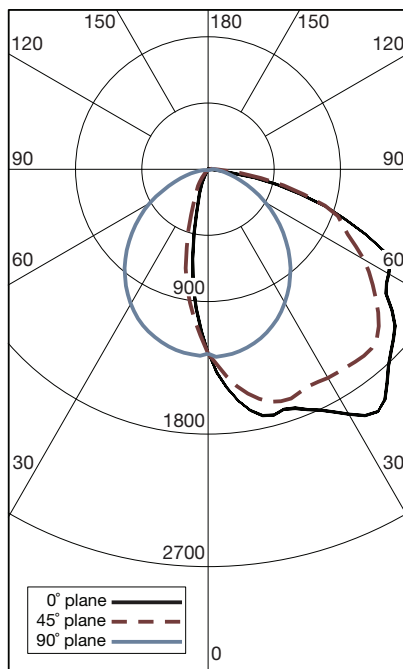
Photometric Summary	
LIGHT OUTPUT (lm)	3535
INPUT POWER (W)	47.9
EFFICACY (lm/W)	73.8
LUMINAIRE EFFICIENCY	88.4

Zonal Lumen Summary		
Zone	lm	% Luminaire
0-30	879	24.9
0-60	2651	75.0
0-90	3535	100
0-180	3535	100

Candela Table			
Angle	0°	45°	90°
0	1247	1247	1247
5	1493	1411	1268
45	1757	1627	1231
90	0	0	0

### Candela Plot

(measured with fixture mounted on the ceiling)

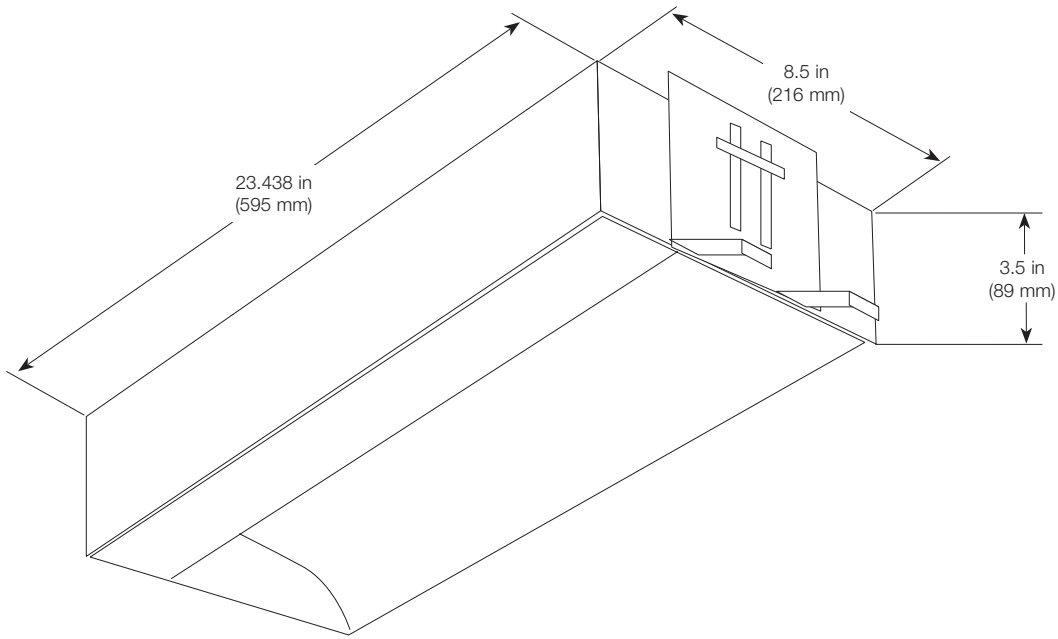


#### NOTES:

- IES data available upon request. Please email fixtures@lutron.com or contact Lutron® Technical Support at 1.800.523.9466.
- Photometric test results from LM-79 reports.

Job Name:	Model Numbers:
Job Number:	

# Product Dimensions



Job Name:  Job Number:	Model Numbers:
------------------------------	----------------