

Low-Voltage Transformer

Products

- RadioRA® 2 Main Repeater
- RadioRA® 2 Auxiliary Repeater
- RadioRA® 2 Visor Control Receiver
- RadioRA® 2 Tabletop Keypad
- HomeWorks® QS Hybrid Repeater
- HomeWorks® QS Visor Control Receiver
- HomeWorks® QS Tabletop Keypad



Low-Voltage Transformer

Specifications

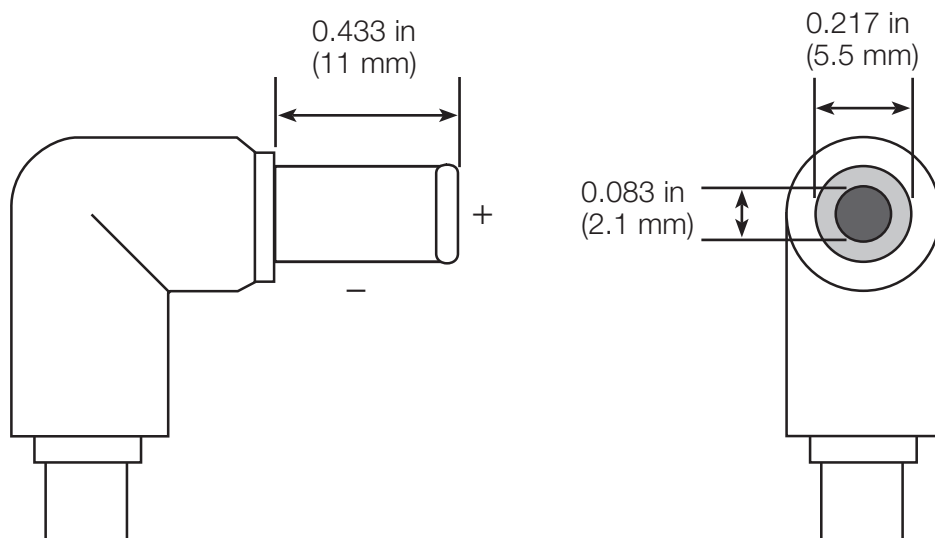
Input	120 V~ or 240 V~ (based on geographical location)
Output	9 V== 300 mA
Output Voltage (no load)	17.22 Vrms maximum, Iout= 0 mA, No Load
Connector Size	See diagram below.

NOTICE: Using a DC adapter not rated at the proper specifications could damage the product and possibly overheat the DC adapter. Use only a properly rated DC adapter.

NOTICE: DC adapters should be selected that comply with IEC 61558 or equivalent (based on geographical location).

Recommended Manufacturers: CUI, Leader

Dimensions



Cable to DC adapter
IEC PELV/NEC® Class 2

