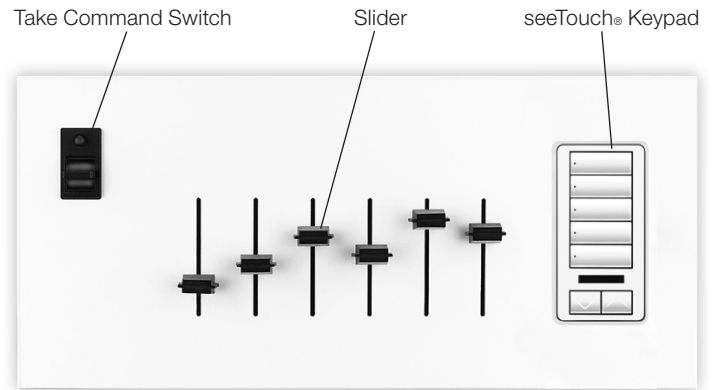


Quantum® QS Slider Control Unit

Description

- Controls 1 to 15* zones of lighting.
- Allows full-range dimming using zone sliders.
- Allows for activation and deactivation of unit using *Take Command Switch*.
- LED indicates when the sliders are active.
- seeTouch® keypad can be ganged with the Slider Control Unit.
- Supports Quantum® zone-chaining feature for partitioned spaces.
- Mounts in a custom-designed wallbox. Wallbox must be ordered separately. Refer to **Control Unit Dimensions** page for specific part numbers.



QSSL-T6-5BRLIRI-6G-WH-CPN6509
With Insert-Style Keypad



QSSL-T6-5BRLIRN-6G-WH-CPN6509
With Non Insert-Style Keypad

* Maximum of 16 zones if device does not have a *Take Command Switch*.

| | |
|--|------------------------------|
| <p>Job Name:</p> <p>Job Number:</p> | <p>Model Numbers:</p> |
|--|------------------------------|

Specifications

Power

- IEC PELV/NEC® Class 2
Operating voltage: 24 V $\overline{=}$ 30 mA, 1 PDU power consumption (this specification is for the Slider Control Unit only. Refer to keypad specification if ganging a keypad).

Lighting Sources/Load Types

- Controls lighting sources with smooth, continuous, Square Law dimming.
- Works with any type of lighting zone output of Quantum® System excluding 3-channel DMX loads and GRAFIK Eye® QS loads.
- Works with dimmed loads and non-dimmed loads.

Lighting Control

- Sliders provide an intuitive method of controlling a local lighting space.
- *Take Command Switch* can be programmed to perform any preset allowed in the Quantum® system.
- By default, the up position of the *Take Command Switch* will activate Slider Scene (i.e., will send all slider zones to the current slider levels and will subsequently allow real-time control of slider zones until the unit is deactivated).
- If the unit does not have a *Take Command Switch*, a keypad can be programmed to activate slider scenes.
- By default, the down position of the *Take Command Switch* will initiate Off scene, and disable control of slider zones until the unit is activated again.
- Individual slider knobs can be configured in the Quantum® software to either slide-to-low-end or slide-to-off.

Key Design Features

- Meets IEC 801-2. Tested to withstand 16 kV electrostatic discharge without damage or memory loss.
- Faceplate snaps on with no visible means of attachment.

Keypad Ganging

- Both insert-style and non insert-style seeTouch® keypad controls can be ganged with the Slider Control Unit.
- A ganged keypad is considered a separate device for all purposes, including: link capacity, power consumption addressing, and wiring. Refer to keypad specification if ganging a keypad.

System Communications and Capacities

- IEC PELV/NEC® Class 2 wiring connects Control Units to other system components.
- The Slider Control Unit counts as one of 99 Wallstations and/or control Interfaces allowed on an IEC PELV/NEC® Class 2 wallstation link.
Note: A ganged keypad will count as a second device to this limit.
- A maximum of 33 Slider Control Units are allowed per link.
- Performance will degrade if more than 5 units are being controlled simultaneously per link.

Environment

- 32 °F to 104 °F (0 °C to 40 °C). Relative humidity less than 90% non-condensing.

(continued on next page...)

| | |
|--|-----------------------|
| Job Name: Job Number: | Model Numbers: |
|--|-----------------------|

Specifications (continued)

Limitations

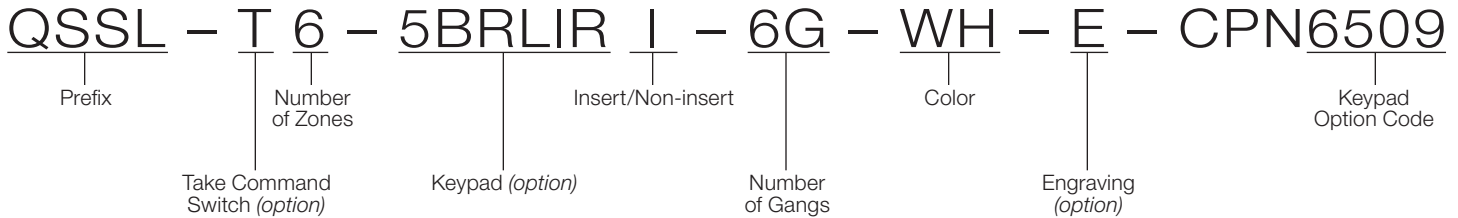
- Only works in a Quantum® system.
- A Slider Control Unit can control zones in its area only.
- A single slider knob can control only a single zone.
- A Slider Control Unit cannot control zones or remote zones on a GRAFIK Eye® QS control unit.
- A maximum of 15 Slider Control Units are allowed per area.
- Only one Slider Control Unit can be active per area at any given time.
- Activating a Slider Control Unit will deactivate all other Slider Control Units in the area.
- Control of slider zones by any other means in the Quantum® system will automatically deactivate the unit.

Partitioning

- Supports Quantum® zone chaining feature for partitioned spaces.
- Only one Slider Control Unit can be active at any given time in all connected areas of a partitioned space.
- Activating a Slider Control Unit will deactivate all other Slider Control Units in all connected areas of a partitioned space.
- Upon opening a partition wall, all Slider Control Units in all areas of a partitioned space will be deactivated automatically.
- Upon closing a partition wall, the current active Slider Control Unit will remain active, and all other Slider Control Units will remain deactivated.

| | |
|--------------------|-----------------------|
| Job Name: | Model Numbers: |
| Job Number: | |

How to Build a Model Number



Prefix

QSSL: Quantum® QS Slider Control Units

Take Command Switch Option

Place in model number if ordering unit with a *Take Command Switch*. **Note:** A *Take Command Switch* is required if the unit is ordered without a keypad.

Number of Zones

1–15¹

Keypad Option²

Place in model number if ordering unit with a seeTouch® keypad:

| | |
|--------|---|
| 1B | 1 Button Keypad |
| 2B | 2 Button Keypad |
| 3B | 3 Button Keypad |
| 5B | 5 Button Keypad |
| 7B | 7 Button Keypad |
| 2BRL | 2 Button with Raise/Lower Keypad |
| 3BRL | 3 Button with Raise/Lower Keypad |
| 5BRL | 5 Button with Raise/Lower Keypad |
| 2BRLIR | 2 Button with Raise/Lower and Infrared lens |
| 3BRLIR | 3 Button with Raise/Lower and Infrared lens |
| 5BRLIR | 5 Button with Raise/Lower and Infrared lens |
| 1RLD | Dual Group with Raise/Lower |
| 2RLD | Dual Group with 2 Raise/Lower |
| 3BD | 3 Button Dual Group |

Style of Keypad

I: Insert

N: Non-insert

Number of Gangs

Indicates number of wallbox gangs required for installation (e.g., 6G = 6 gangs). See **Ganging Options** page to determine number of gangs needed.

Colors and Finishes³

Matte Finishes

| | | | |
|-----------|----|--------------|----|
| White | WH | Brown | BR |
| Ivory | IV | Black | BL |
| Beige | BE | Almond | AL |
| Gray | GR | Light Almond | LA |
| Taupe | TP | Biscuit | BI |
| Snow | SW | Eggshell | ES |
| Sienna | SI | Merlot | MR |
| Palladium | PD | Hot | HT |

Metal Finishes

| | | | |
|---------------|----|----------------|-----|
| Bright Brass | BB | Clear Anodized | CLA |
| Bright Chrome | BC | Brass Anodized | BRA |
| Satin Brass | SB | Black Anodized | BLA |
| Satin Chrome | SC | Antique Brass | QB |
| Satin Nickle | SN | Antique Bronze | QZ |
| Bright Nickle | BN | | |

Engraving Option

Place in model number if ordering unit with custom engraving. For custom engraving, contact Lutron®.

Keypad Option Code

6470: Control unit without Keypad

6509: Control unit with Keypad

¹ Maximum of 16 zones if device does not have a *Take Command Switch*.

² Refer to **seeTouch® Keypad Button Configurations** page for keypad options.

³ Slider knob caps and *Take Command Switch* come only in black.

| | |
|-------------|----------------|
| Job Name: | Model Numbers: |
| Job Number: | |

Ganging Options

| Number of Zones | Model Number (With Take Command Switch) | Model Number (With Keypad) | Model Number (With Take Command Switch and Keypad) |
|-----------------|--|--|---|
| 1 | QSSL-T1-1G- <u>1</u> - <u>2</u> -CPN6470 | — | QSSL-T1- <u>3</u> -3G- <u>1</u> - <u>2</u> -CPN6509 |
| 2 | QSSL-T2-2G- <u>1</u> - <u>2</u> -CPN6470 | QSSL-2- <u>3</u> -3G- <u>1</u> - <u>2</u> -CPN6509 | QSSL-T2- <u>3</u> -4G- <u>1</u> - <u>2</u> -CPN6509 |
| 3 | QSSL-T3-2G- <u>1</u> - <u>2</u> -CPN6470 | QSSL-3- <u>3</u> -4G- <u>1</u> - <u>2</u> -CPN6509 | QSSL-T3- <u>3</u> -4G- <u>1</u> - <u>2</u> -CPN6509 |
| 4 | QSSL-T4-3G- <u>1</u> - <u>2</u> -CPN6470 | QSSL-4- <u>3</u> -4G- <u>1</u> - <u>2</u> -CPN6509 | QSSL-T4- <u>3</u> -5G- <u>1</u> - <u>2</u> -CPN6509 |
| 5 | QSSL-T5-3G- <u>1</u> - <u>2</u> -CPN6470 | QSSL-5- <u>3</u> -5G- <u>1</u> - <u>2</u> -CPN6509 | QSSL-T5- <u>3</u> -5G- <u>1</u> - <u>2</u> -CPN6509 |
| 6 | QSSL-T6-4G- <u>1</u> - <u>2</u> -CPN6470 | QSSL-6- <u>3</u> -5G- <u>1</u> - <u>2</u> -CPN6509 | QSSL-T6- <u>3</u> -6G- <u>1</u> - <u>2</u> -CPN6509 |
| 7 | QSSL-T7-4G- <u>1</u> - <u>2</u> -CPN6470 | QSSL-7- <u>3</u> -6G- <u>1</u> - <u>2</u> -CPN6509 | QSSL-T7- <u>3</u> -6G- <u>1</u> - <u>2</u> -CPN6509 |
| 8 | QSSL-T8-5G- <u>1</u> - <u>2</u> -CPN6470 | QSSL-8- <u>3</u> -6G- <u>1</u> - <u>2</u> -CPN6509 | QSSL-T8- <u>3</u> -7G- <u>1</u> - <u>2</u> -CPN6509 |
| 9 | QSSL-T9-5G- <u>1</u> - <u>2</u> -CPN6470 | QSSL-9- <u>3</u> -7G- <u>1</u> - <u>2</u> -CPN6509 | QSSL-T9- <u>3</u> -7G- <u>1</u> - <u>2</u> -CPN6509 |
| 10 | QSSL-T10-6G- <u>1</u> - <u>2</u> -CPN6470 | QSSL-10- <u>3</u> -7G- <u>1</u> - <u>2</u> -CPN6509 | QSSL-T10- <u>3</u> -8G- <u>1</u> - <u>2</u> -CPN6509 |
| 11 | QSSL-T11-6G- <u>1</u> - <u>2</u> -CPN6470 | QSSL-11- <u>3</u> -8G- <u>1</u> - <u>2</u> -CPN6509 | QSSL-T11- <u>3</u> -8G- <u>1</u> - <u>2</u> -CPN6509 |
| 12 | QSSL-T12-7G- <u>1</u> - <u>2</u> -CPN6470 | QSSL-12- <u>3</u> -8G- <u>1</u> - <u>2</u> -CPN6509 | QSSL-T12- <u>3</u> -9G- <u>1</u> - <u>2</u> -CPN6509 |
| 13 | QSSL-T13-7G- <u>1</u> - <u>2</u> -CPN6470 | QSSL-13- <u>3</u> -9G- <u>1</u> - <u>2</u> -CPN6509 | QSSL-T13- <u>3</u> -9G- <u>1</u> - <u>2</u> -CPN6509 |
| 14 | QSSL-T14-8G- <u>1</u> - <u>2</u> -CPN6470 | QSSL-14- <u>3</u> -9G- <u>1</u> - <u>2</u> -CPN6509 | QSSL-T14- <u>3</u> -10G- <u>1</u> - <u>2</u> -CPN6509 |
| 15 | QSSL-T15-8G- <u>1</u> - <u>2</u> -CPN6470 | QSSL-15- <u>3</u> -10G- <u>1</u> - <u>2</u> -CPN6509 | QSSL-T15- <u>3</u> -10G- <u>1</u> - <u>2</u> -CPN6509 |
| 16 | — | QSSL-16- <u>3</u> -10G- <u>1</u> - <u>2</u> -CPN6509 | — |

¹ Insert color/finish code. See “Colors and Finishes” on **How to Build a Model Number** page.

² Insert “E” for engraving if engraving is desired. Leave blank if no engraving is needed.

³ Insert code for seeTouch® keypad option. Refer to **seeTouch® Keypad Button Configurations** for keypad options.

| | |
|-------------|----------------|
| Job Name: | Model Numbers: |
| Job Number: | |

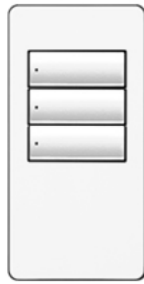
seeTouch® Keypad Button Configurations (shown in Insert-Style Keypad)



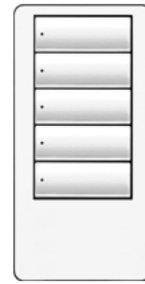
1B



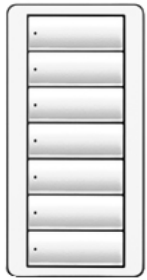
2B



3B



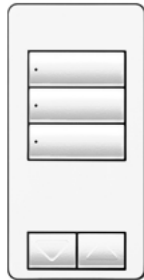
5B



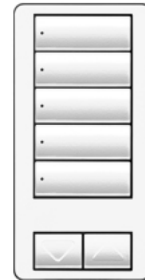
7B



2BRL



3BRL



5BRL



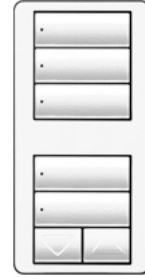
2BRLIR



3BRLIR



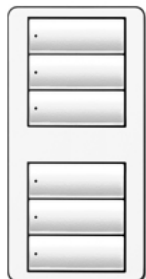
5BRLIR



1RLD



2RLD



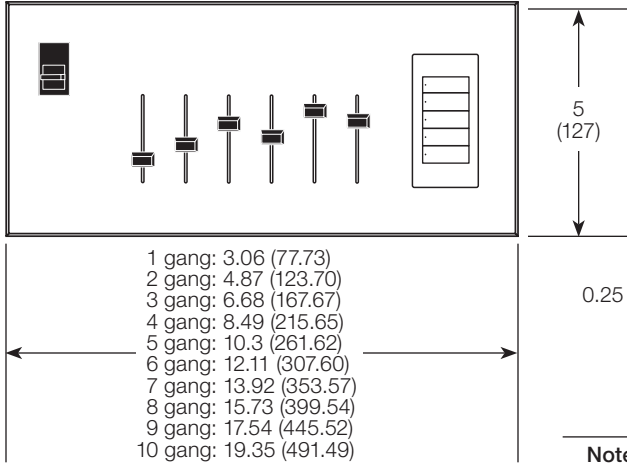
3BD

| | |
|--|-----------------------|
| <p>Job Name:</p> <p>Job Number:</p> | <p>Model Numbers:</p> |
|--|-----------------------|

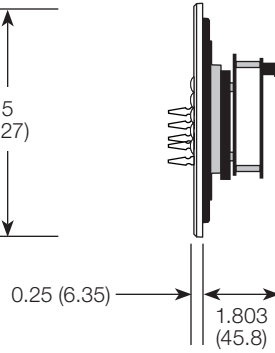
Control Unit Dimensions

Dimensions shown as: in (mm)

Front view

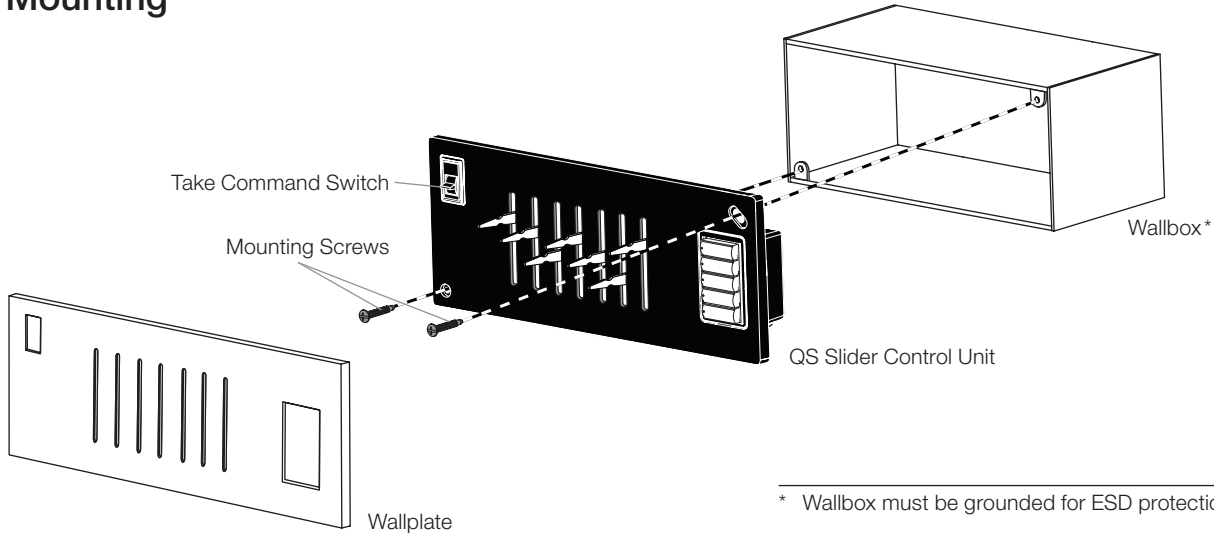


Side view



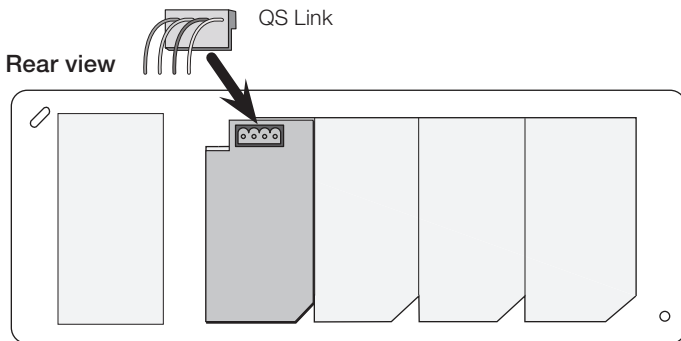
Note: Refer to Wallbox Dimensions page for sizes and dimensions of related wallboxes.

Mounting



* Wallbox must be grounded for ESD protection.

Wiring



| | |
|-------------|----------------|
| Job Name: | Model Numbers: |
| Job Number: | |

Wallbox Dimensions

| Model Number ¹ | Wallbox Size | Width | Height | Depth ² | Lutron® Part Number for Wallbox |
|--|--------------|-------------------|------------------|--------------------|---------------------------------|
| QSSL-T1-1G-__ | Single-gang | 2.31 in (59 mm) | 4.06 in (103 mm) | 3.00 in (76 mm) | 241024 |
| QSSL-T2-2G-__ QSSL-T3-2G-__ | Two-gang | 4.13 in (105 mm) | 4.06 in (103 mm) | 3.00 in (76 mm) | 241025 |
| QSSL-2- ³ -3G-__ QSSL-T4-3G-__ QSSL-T5-3G-__ QSSL-T1- ³ -3G-__ | Three-gang | 5.94 in (151 mm) | 4.06 in (103 mm) | 3.00 in (76 mm) | 241026 |
| QSSL-3- ³ -4G-__ QSSL-4- ³ -4G-__ QSSL-T6-4G-__ QSSL-T7-4G-__ QSSL-T2- ³ -4G-__ QSSL-T3- ³ -4G-__ | Four-gang | 7.88 in (200 mm) | 4.06 in (103 mm) | 3.00 in (76 mm) | 241027 |
| QSSL-5- ³ -5G-__ QSSL-6- ³ -5G-__ QSSL-T8-5G-__ QSSL-T9-5G-__ QSSL-T4- ³ -5G-__ QSSL-T5- ³ -5G-__ | Five-gang | 9.56 in (243 mm) | 4.06 in (103 mm) | 3.00 in (76 mm) | 241114 |
| QSSL-7- ³ -6G-__ QSSL-8- ³ -6G-__ QSSL-T10-6G-__ QSSL-T11-6G-__ QSSL-T6- ³ -6G-__ QSSL-T7- ³ -6G-__ | Six-gang | 11.38 in (289 mm) | 4.06 in (103 mm) | 3.00 in (76 mm) | 241113 |
| QSSL-9- ³ -7G-__ QSSL-10- ³ -7G-__ QSSL-T12-7G-__ QSSL-T13-7G-__ QSSL-T8- ³ -7G-__ QSSL-T9- ³ -7G-__ | Seven-gang | 13.19 in (335 mm) | 4.06 in (103 mm) | 3.00 in (76 mm) | 241311 |
| QSSL-11- ³ -8G-__ QSSL-12- ³ -8G-__ QSSL-T14-8G-__ QSSL-T15-8G-__ QSSL-T10- ³ -8G-__ QSSL-T11- ³ -8G-__ | Eight-gang | 15.00 in (381 mm) | 4.06 in (103 mm) | 3.00 in (76 mm) | 241347 |
| QSSL-13- ³ -9G-__ QSSL-14- ³ -9G-__ QSSL-T12- ³ -9G-__ QSSL-T13- ³ -9G-__ | Nine-gang | 16.81 in (427 mm) | 4.06 in (103 mm) | 3.00 in (76 mm) | 241343 |
| QSSL-15- ³ -10G-__ QSSL-16- ³ -10G-__ QSSL-T14- ³ -10G-__ QSSL-T15- ³ -10G-__ | Ten-gang | 18.62 in (473 mm) | 4.06 in (103 mm) | 3.00 in (76 mm) | 241346 |

¹ Refer to **How to Build a Model Number** and **Ganging Options** for all model number options.

² Depth includes wallplate and backbox. Wallplate depth is 0.25 in (6.35 mm).

³ Insert code for seeTouch® keypad option. Refer to **seeTouch® Keypad Button Configurations** for keypad options.

| | |
|--------------------|-----------------------|
| Job Name: | Model Numbers: |
| Job Number: | |