

Stairwell Vandal-Resistant Fixture

Lutron® Stairwell Vandal-Resistant Fixtures work with Lutron® Radio Powr Savr™ wireless occupancy sensors (sold separately) to save energy and lower energy costs. These easy-to-install fluorescent luminaires withstand high-abuse applications in public spaces, and include a dimming ballast and wireless control device that adjusts light levels based on stairwell occupancy.

Features

- Universal input voltage 120/277 V~
- Fully assembled fixture comes ready to install
- Integral wireless control device with RF receiver mounted inside the fixture, accessible through the ballast cover
- Integral wireless control device has occupied and unoccupied levels that can be preset to a specific location's code requirements
- Up to nine fixtures can have the same sensor associated to them, and up to nine sensors can be associated to a fixture within RF range
- Integral failsafe defaults to occupied light level if occupancy sensor is unavailable
- IEC rated rotary locking sockets (lampholders)
- Tamper-resistant hardware
- Polycarbonate lens prevents damage to fixture and control device
- Emergency ballast battery backup (optional)

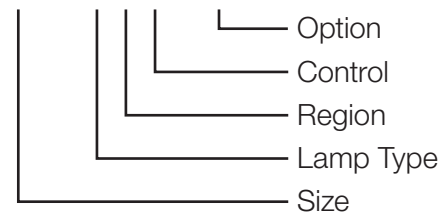


Models Available

For a complete list of available model numbers, please see the **Ordering Guide** on page 3.

Configuration:

FXSWVR_PO2_ _ _ SM_WH



<p>Job Name:</p> <p>Job Number:</p>	<p>Model Numbers:</p>
--	-----------------------

Specifications

Regulatory Approvals

- Approved to UL® and CSA standards
- Meets ASHRAE 90.1 2010 additional control (9.4.1.6)
- All models are ADA compliant
- IGCC (International Green Construction Code) Interior Light Reduction Controls (609.3) compliant

Power / Performance

- Universal input voltage 120/277 V~
- Total Harmonic Distortion (THD) <20%
- Power factor >0.9
- Class A sound rating

Environment

- 50 °F to 104 °F (10 °C to 40 °C)
- Relative humidity less than 90% non-condensing
- For indoor/dry location only

RF Range (sensor to wireless control device)

- 60 ft (18 m) line of sight
- 30 ft (9 m) through normal construction

Lamps

- Use only with lamps conforming to the IEC 60081/60901 specification; Lutron recommends Sylvania, GE, or Philips lamps for proper dimming performance
- Lamps are not included with fixture
- 2 or 4 ft fixtures available in a 2 lamp configuration
 - Lamp options: T8, T5HE, T5HO, reduced wattage T8
- Refer to lamp manufacturer for lamp burn-in requirements

Key Design Features

- Surface mount on ceiling or wall
- White baked enamel, die-formed cold rolled steel housing and end caps. Ballast cover/pan is finished with high-reflectance white paint
- End caps have 0.625 in (16 mm) retention flanges on 3 sides for polycarbonate lens retention and maximum security; attached with spanner-head screws
- Diffuser is 0.125 in (3 mm) clear extruded polycarbonate with side linear prisms and prismatic bottom
- Lutron® wireless control device with field-adjustable high-end occupied level and low-end unoccupied level with 2 available factory default settings
 - 10% unoccupied; 50% occupied
 - 20% unoccupied; 80% occupied
- Compatible with all Lutron® Radio Powr Savr™ wireless occupancy sensors
- Integral FASS™ (Front Accessible Service Switch) at the bottom of the wireless control device provides 100% light output for lamp burn-in or emergency mode
- IEC rated rotary locking sockets (lampholders)
- Smooth, continuous flicker free dimming

Job Name:	Model Numbers:
Job Number:	

Ordering Guide

Select appropriate code in each column to complete model number.

Example: FXSWVR12PO214U51SMXXWH

Product	Family	Fixture Type	Size	Lens	Lamp	Lamp Type	Region	Control	Mounting Type	Option	Color/ Finish
FX= Fixtures	SW= Stairwell	VR= Vandal Resistant	12= 1 x 2 ft ¹	PO= Poly-carbonate	2= 2 Lamp	14= 14 W T5HE (2 ft Only)	U= UL-North America	51= 50% Occupied 10% Unoccupied	SM= Surface Mounting	XX= None	WH= Matte White
			14= 1 x 4 ft			17= 17 W T8 (2 ft Only)	B= BAA Buy America Act	82= 80% Occupied 20% Unoccupied		E1= T8 Emergency Ballast ^{1,2}	
						24= 24 W T5HO (2 ft Only)				E3= T5HE Emergency Ballast ^{1,2}	
						28= 28 W T5HE (4 ft Only)				E5= T5HO Emergency Ballast ^{1,2}	
						32= 32 W T8 (4 ft Only)					
						54= 54 W T5HO (4 ft Only)					
						RW= 25, 28, 30 W T8 Reduced Wattage (4 ft Only)					

¹ Emergency ballast not available if 1 x 2 ft **Size** is chosen

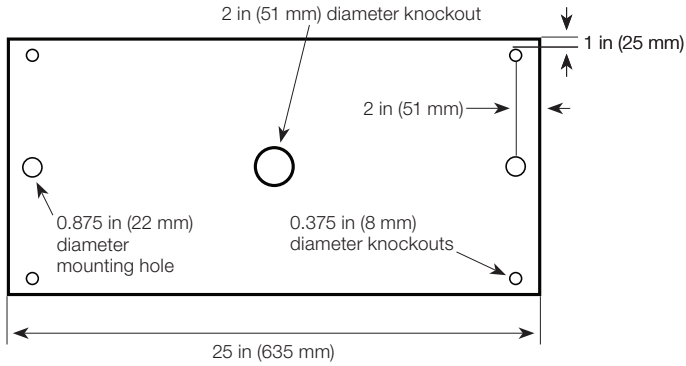
² Emergency ballast is determined by **Lamp Type**

Job Name:	Model Numbers:
Job Number:	

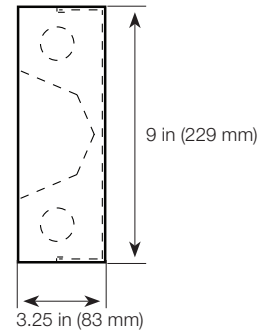
Photometric data coming soon

Dimensions

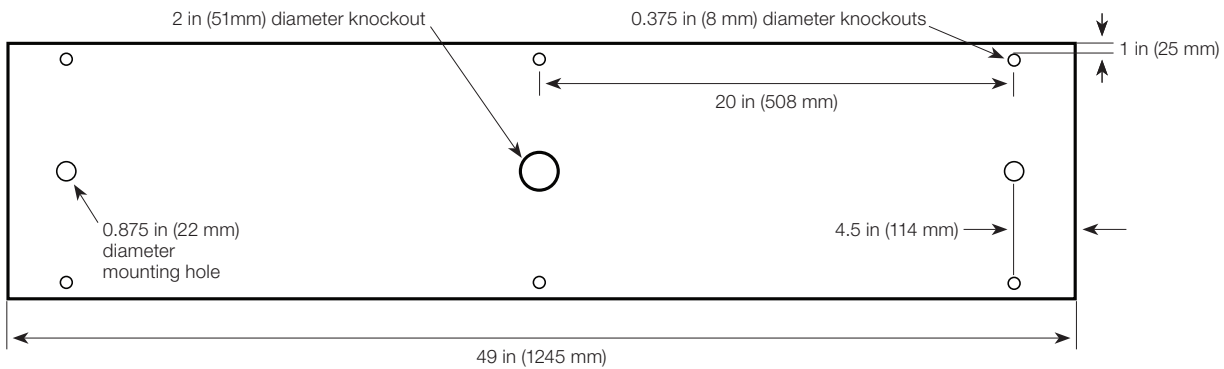
1 x 2 Fixture



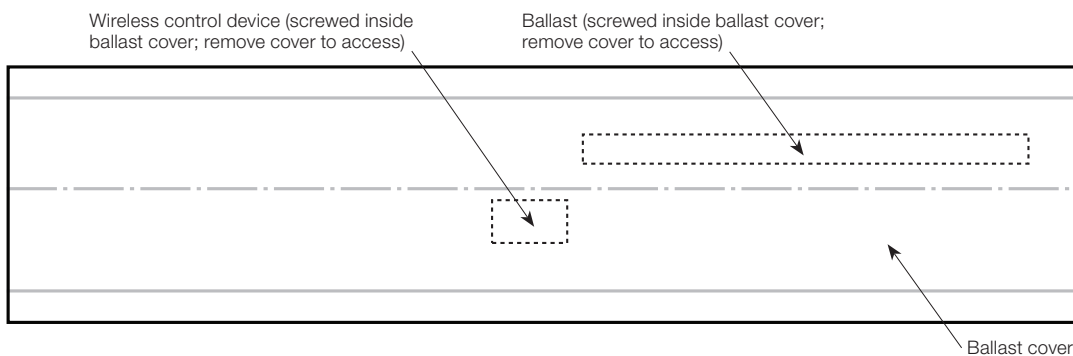
End View



1 x 4 Fixture



Front View



Job Name:	Model Numbers:
Job Number:	