

High Bay Warehouse Fixture

Lutron® High Bay Fluorescent Warehouse Fixtures provide excellent light distribution and energy efficiency. These fluorescent luminaires have greater controllability, higher efficiency, and reduced maintenance costs compared to HID lighting.

Features

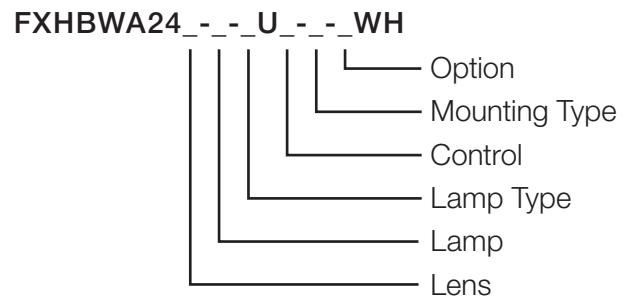
- Universal input voltage 120/277 V~
- Provides an energy efficient alternative to (or replacement for) HID high bay fixtures on a one-to-one basis
- Designed for indoor high bay lighting applications in warehouses, big-box retail, industrial buildings, and convention centers
- 2 x 4 ft T8 and T5HO fluorescent high bay luminaires
 - 4-lamp T8 and T5HO models for pendant/chain or surface mounting
 - 6-lamp T8 models for pendant/chain or surface mounting
 - 6-lamp T5HO models for pendant/chain mounting
- Use with Lutron® EcoSystem® sensors and controls for optimal energy savings
- Optional wireguard
- EcoSystem® and EcoSystem® H-Series ballast options available
- Prewired whips for power [10 ft (3 m)] and EcoSystem® link [6 ft (1.8 m)]
- Optional prewired whip for sensors [10 ft (3 m)]
- Optional Emergency Ballast available
- IEC rated rotary locking sockets (lampholders)



Models Available

For a complete list of available model numbers, please see the **Ordering Guide** on page 3.

Configuration:



<p>Job Name:</p> <p>Job Number:</p>	<p>Model Numbers:</p>
--	------------------------------

Specifications

Regulatory Approvals

- Approved to UL® and CSA standards

Power / Performance

- Universal input voltage 120/277 V~
- Power factor greater than 0.9
- Total harmonic distortion <20%
- Class A sound rating
- Dimming range: 100% to 10% or 100% to 1%, depending on ballast

Environment

- 50 °F to 104 °F (10 °C to 40 °C)
- Relative humidity less than 90% non-condensing
- For indoor use only

Controls

The following controls (EcoSystem® or 3-wire models) are available for use with Lutron® dimmable fixtures:

- GRAFIK Eye® QS
- Quantum®
- Maestro Wireless®
- Nova®
- Skylark®
- Vareo®
- GRAFIK Eye®
- Energi Savr Node™
- Nova T★®
- Diva®
- Ariadni®
- PowPak™

Lamps

- Use only with lamps conforming to the IEC 60081/60901 specification; Lutron recommends Sylvania, GE, or Philips lamps for proper dimming performance
- Refer to lamp manufacturer for lamp burn-in requirements
- Lamps are not included with fixture
- 4 or 6 lamp configurations available in T8 or T5HO linear fluorescent lamp options

Key Design Features

- Die formed heavy guage steel housing assembly with 20 guage endcaps designed to allow continuous row mounting
- Optional wireguard features powder coated white finish that hinges for easy fixture maintenance
- 95% specular aluminum reflector
- Removable protective layer ensures clean, blemish-free reflective surface
- EcoSystem® and EcoSystem® H Series® ballast options available
- IEC rated rotary locking sockets (lampholders)
- Prewired whips for power [10 ft (3 m)] and EcoSystem® link [6 ft (1.8 m)]
- Optional prewired sensor whip for EcoSystem® Ballast
- Quick access plate for convenient power connection
- Smooth, continuous flicker free dimming

Job Name: Job Number:	Model Numbers:
--	-----------------------

Ordering Guide

Select appropriate code in each column to complete model number.

Example: FXHBWA24SL432UHSSHXXWH

Product	Family	Fixture Type	Size	Lens	Lamp	Lamp Type	Region	Control	Mounting Type	Option	Color/ Finish
FX= Fixtures	HB= High Bay	WA= Warehouse	24= 2 x 4 ft	SL= Standard	4= 4 Lamp	32= 32 W T8	U= UL–North America	HS= EcoSystem® H-Series 1% Dimming Ballast	XX= None	XX= None	WH= Matte White
				WG= Wire Guard	6= 6 Lamp ¹	54= 54 W T5HO ¹		EC= EcoSystem® 10% Dimming Ballast	SH= Hanger Set	PW= Prewired Sensor Whip	
									CS= 6 ft Chain and Hanger Set	E4= T8 Emergency Ballast ²	
									CH= Aircraft Cable Mount	E6= T5 Emergency Ballast ²	

¹ 6 lamp T5HO fixtures are not available for recessed mounting

² Emergency ballast is determined by **Lamp Type**

Job Name:	Model Numbers:
Job Number:	

Photometric Data

6 Lamp T8 32 W High Bay Warehouse Fixture (FXHBWA24_632U_-_-WH)

Tested with: 6 Philips T8 32 W Lamps with 4100 CCT rated at 2850 lm each

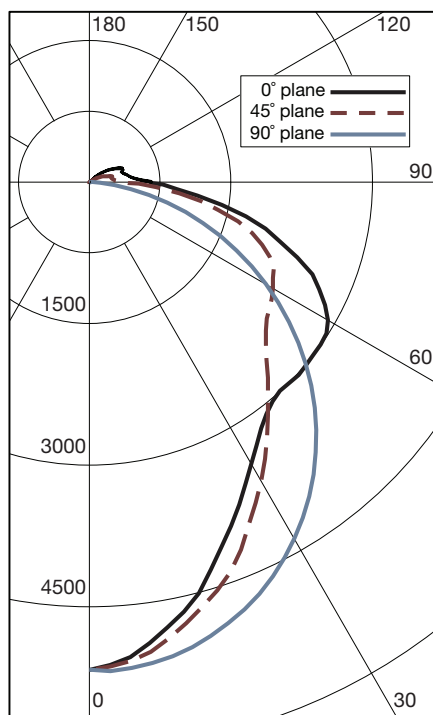
Photometric Summary	
LIGHT OUTPUT (lm)	15,456
INPUT POWER (W)	223.5
EFFICACY (lm/W)	69.15
LUMINAIRE EFFICIENCY	90.4

Zonal Lumen Summary		
Zone	lm	% Luminaire
0-30	3687	23.9
0-60	10,341	66.9
0-90	14,702	95.1
90-180	754	4.9
0-180	15,456	100

Candela Table			
Angle	0°	45°	90°
0	5160	5160	5160
5	5046	5088	5166
45	3002	2663	3382
90	657	411	0
135	49	0	0
180	0	0	0

Candela Plot

(measured with fixture mounted on the ceiling)



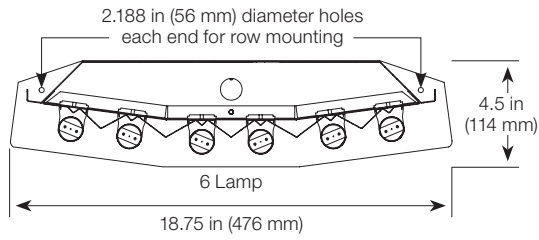
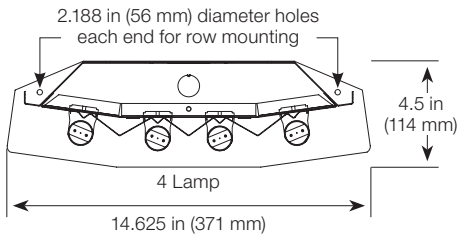
NOTES:

- IES data available upon request. Please email fixtures@lutron.com or contact Lutron® Technical Support at 1.800.523.9466.
- Photometric test results from LM-79 reports.

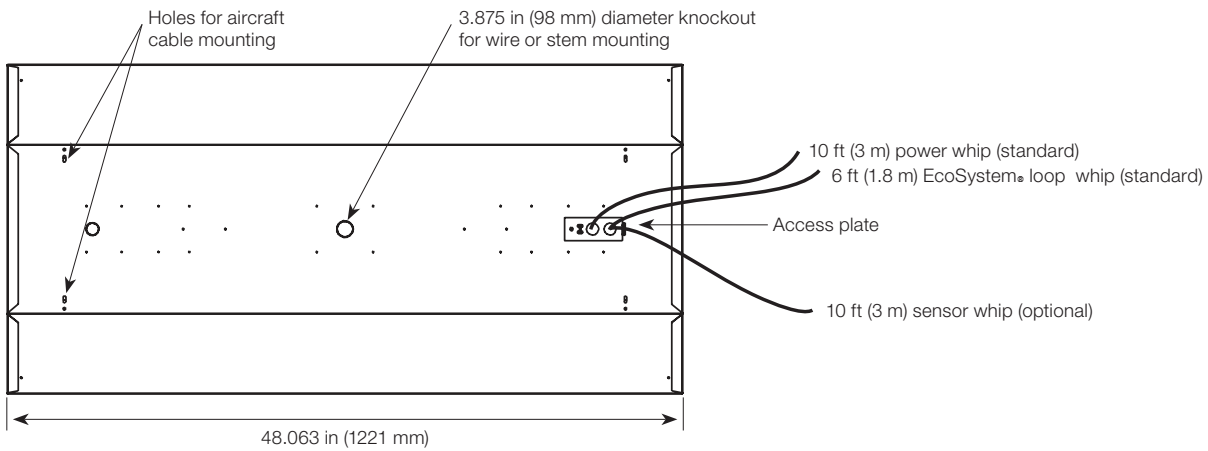
Job Name:	Model Numbers:
Job Number:	

Dimensions and Mounting

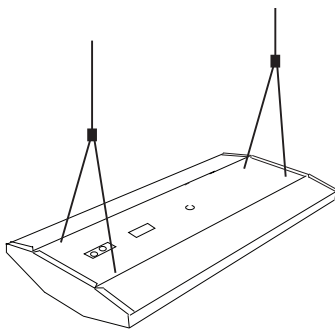
End View



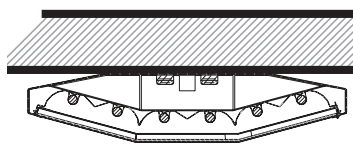
Top View



Pendant/chain Mount



Surface Mount



Note: 6 lamp T5HO fixtures cannot be surface mounted; it must hang a minimum of 2 ft (0.6 m) below ceiling.

Job Name:	Model Numbers:
Job Number:	