

## QSE-CI-DMX Control Interface

The QSE-CI-DMX performs different functions depending on the system in which it is operating. The DMX channels (maximum of 32) are mapped to HomeWorks® QS zones and can be programmed as 1-channel lighting, 1-channel integration, or 3-channel RGB/CMY.

The QSE-CI-DMX can be used to map any HomeWorks® QS zone to any single DMX512 channel. The QSE-CI-DMX can also be used to simultaneously map any HomeWorks® QS zone to three DMX512 channels for RGB/CMY color-control. The QSE-CI-DMX has an integral RGB/CMY lookup table that maps HomeWorks® QS zone intensities to RGB/CMY values (colors). The RGB/CMY lookup table can be customized by using the HomeWorks® QS programming software.

In a HomeWorks® QS system, only 32 DMX channels can be programmed per device. The 32 channels can be any of the 512 available addresses. DMX combiners can be used if more than 32 DMX channels need to be controlled from a single DMX universe.

If the QSE-CI-DMX is part of a HomeWorks® QS system, GRAFIK Eye® QS zones cannot be programmed to control DMX channels.




### Model Number

**QSE-CI-DMX**      Control Interface

## QSE-CI-DMX Control Interface

### Specifications

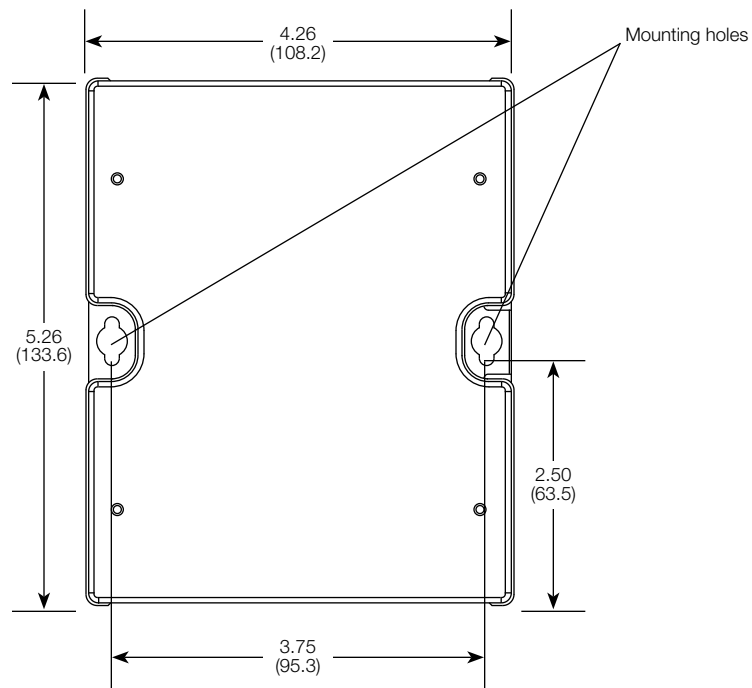
<b>Model Number</b>	QSE-CI-DMX
<b>Power</b>	24 V $\overline{=}$ 60 mA
<b>Typical Power Consumption</b>	1.2 W; 2 Power Draw Units (PDUs) Test conditions: Status lights normal operation, DMX link connected, device powered at 24 V $\overline{=}$
<b>Regulatory Approvals</b>	CE,  C-tick, CUL, UL
<b>Environment</b>	Indoor use only; 32 °F to 104 °F (0 °C to 40 °C); 0 to 90% humidity, non-condensing
<b>Power Failure</b>	Power failure memory: should power be interrupted, the DMX will return to its previous state when power is restored
<b>Wiring</b>	Control wire must be 1 pair 18 AWG (1.0 mm <sup>2</sup> ) IEC PELV/NEC <sup>®</sup> Class 2 for power and 1 pair 22 AWG to 18 AWG (0.5 mm <sup>2</sup> to 1.0 mm <sup>2</sup> ) IEC PELV/NEC <sup>®</sup> Class 2 twisted/shielded for data (see <b>Wiring</b> )
<b>Communications</b>	Connects to QS-wired device link on HomeWorks <sup>®</sup> QS processor
<b>Link Capacities</b>	QSE-CI-DMX counts as one device toward link maximum of 100 devices.
<b>ESD Protection</b>	Meets or exceeds the IEC 61000-4-2 standard.
<b>Surge Protection</b>	Meets or exceeds IEC 61000-4-5 standard.
<b>Mounting</b>	Surface mount on wall, mount on rack (LUT-19AV-1U), or mount in LV14, LV21, PNL8, or LUT-5x10-ENC enclosures
<b>Dimensions</b>	4.26 in (108.2 mm) x 5.26 in (133.6 mm) x 1.06 in (26.9 mm)
<b>DIP Switches</b>	Dip switches do not operate when QSE-CI-DMX is part of a HomeWorks <sup>®</sup> QS system.
<b>Warranty</b>	<a href="http://www.lutron.com/TechnicalDocumentLibrary/Warranty.pdf">www.lutron.com/TechnicalDocumentLibrary/Warranty.pdf</a> <a href="http://www.lutron.com/TechnicalDocumentLibrary/Intl_Warranty.pdf">www.lutron.com/TechnicalDocumentLibrary/Intl_Warranty.pdf</a>

# QSE-CI-DMX Control Interface

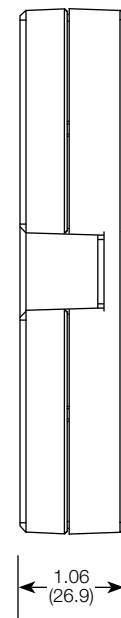
## Dimensions

Dimensions shown as: in (mm)

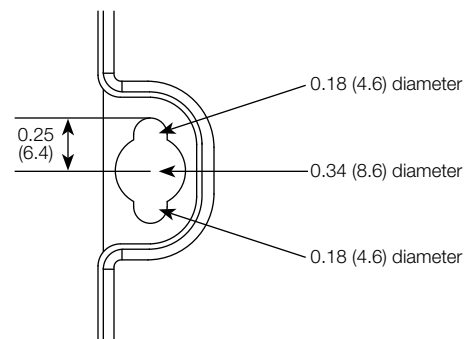
**Front View**



**Side View**



**Mounting Hole Detail**



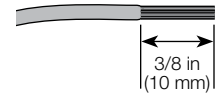
#6 or #8 (M3 or M4) screw recommended

# QSE-CI-DMX Control Interface

## Mounting Options

Mount where terminal blocks, switches, and LEDs are accessible, using #6 or #8 (M3 or M4) screws (not included). Strip 3/8 in (10 mm) of insulation from wires. Each data link terminal will accept up to two 18 AWG (1.0 mm<sup>2</sup>) wires. Connect wiring as shown in the **Wiring** section.

### Wire Strip Length

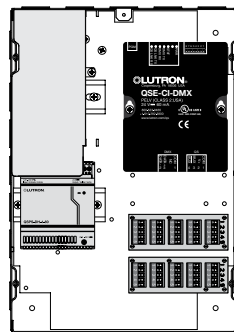


Choose from the following wiring mounting methods:

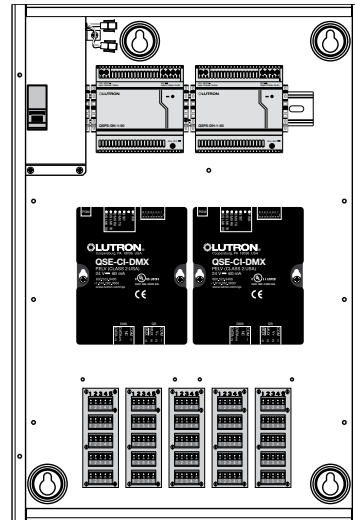
### 1: Panel Mounting

Mount the control interface in a LV14, LV21, or PNL8 enclosure. The LV14 enclosure can hold only one control interface. The LV21 and PNL8 enclosures can hold up to two interfaces.

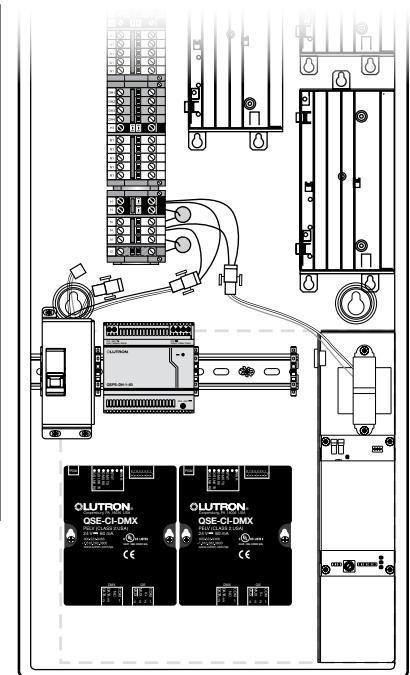
LV14



LV21



PNL8



### 2: Enclosure Mounting

If conduit is desired for wiring, use the LUT-5x10-ENC to mount one control interface.

LUT-5x10-ENC



### 3: Rack Mounting

Place the unit in the LUT-19AV-1U AV rack which will hold up to four control interfaces.

LUT-19AV-1U



### 4: Direct Wall Mounting

Mount the control interface directly on a wall. When mounting, provide sufficient space for connecting cables.

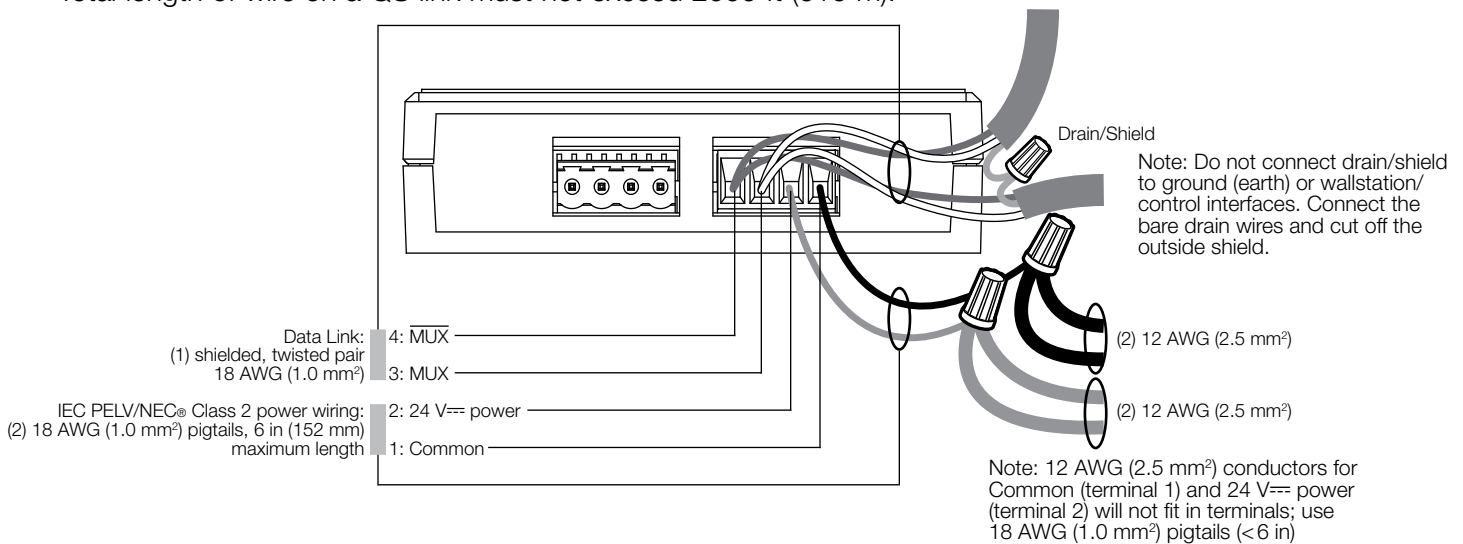


# QSE-CI-DMX Control Interface

## Wiring

### QS Link Wiring

- Wire the QSE-CI-DMX Interface to the IEC PELV/NEC® Class 2 QS link using the MUX terminal.
- The QS-wired communications link is limited to 100 devices and 512 switch legs (each DMX channel = 1 switch leg); 32 DMX channels per QSE-CI-DMX control interface.
- Wiring may be daisy-chain, star, or T-tap configuration.
- Total length of wire on a QS link must not exceed 2000 ft (610 m).



Note: Use Lutron® Cable GRX-CBL-46L

### DMX512 Link Wiring

- Connect the DMX link terminals on the QSE-CI-DMX interface to input terminals on DMX512-controlled equipment.
- Each terminal on the QSE-CI-DMX accepts two 18 AWG (1.0 mm<sup>2</sup>) wires.
- Link must be 1000 ft (305 m) or less.
- Link must begin and end with link terminators (Lutron® part number LT-1).
- Three pins on the DMX connector for connecting the QSE-CI-DMX to DMX512-controlled equipment.

