

Pico® Privacy Control

The Pico® Privacy Control works with the Lutron® myRoom™ Guestroom Solution to control and indicate the status of a make-up-room request and a do-not-disturb request by the guest.

The Pico® Privacy Control connects to a Lutron® myRoom™ Guestroom Control Unit (GCU-HOSP) via SELV/PELV/NEC® Class 2 wiring.

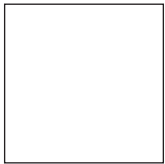
Features

- Allows guests to indicate a request for service or privacy with the press of a button
- Connects via SELV/PELV/NEC® Class 2 wiring
- Wallplate snaps on with no visible means of attachment

Models Available

QSWP-DM-XXX¹ 2 Buttons

Colors and Finish



Matte Arctic White
TAW



Matte Black
TBL

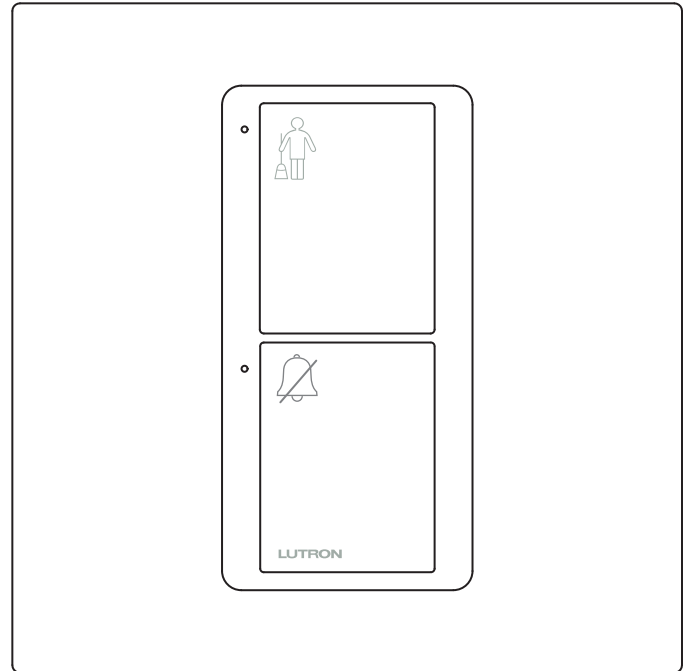
All models available in matte finish only.

Wallplate/Wallplate Adapter Kit Required for Installation

(available models)

LPFP-S1-XXX ¹	1-Column	1 Pico® Control
LPFP-S2-XXX ¹	2-Column	2 Pico® Controls

For specific product information refer to Pico® faceplate specification sheets, Lutron® P/N 369884 and 369756 at www.lutron.com



Pico® Privacy Control

QSWP-DM-XXX^{1, 2}

¹ XXX in the model number represents color code.

² Shown mounted in wallplate/wallplate adapter kit (sold separately). Icons subject to change.

Job Name:	Model Numbers:
Job Number:	

Specifications

Regulatory

- Designed for SELV/PELV/NEC® Class 2 operation only
- Not a wireless device
- Meets IEC 801-2. Tested to withstand 15 kV electrostatic discharge without damage or memory loss
- Install according to all applicable national and local wiring regulations

Mechanical

- Mounts easily in any 1-column or 2-column Lutron® Pico® faceplate (not included)

Power

- Do not exceed 36 V_{DC}
- Operating Voltage: 24–36 V_{DC} (SELV/PELV/NEC® Class 2)
- Current Draw: 30 mA maximum
- Consumes 1 Power Draw Unit (PDU) on the QS link
- Powered by the QS link or an external 24 V_{DC} supply

System Communications and Capacity

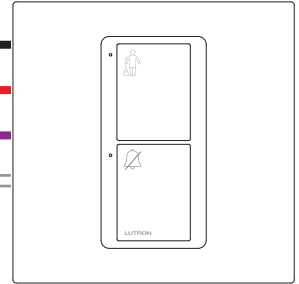
- Low-voltage type IEC PELV/NEC® Class 2 wiring connects wallstations and other devices on the QS link to the Lutron® myRoom™ Guestroom Control Unit
- Counts as one device and no zones on the QS link

Environment

- Indoor use only, 0 °C to 40 °C (32 °F to 104 °F)
- Relative Humidity: Less than 90% non-condensing

Wiring

Black = Common (1)
 Red = V+ (2)
 Purple = MUX (3)
 White = MUX (4)

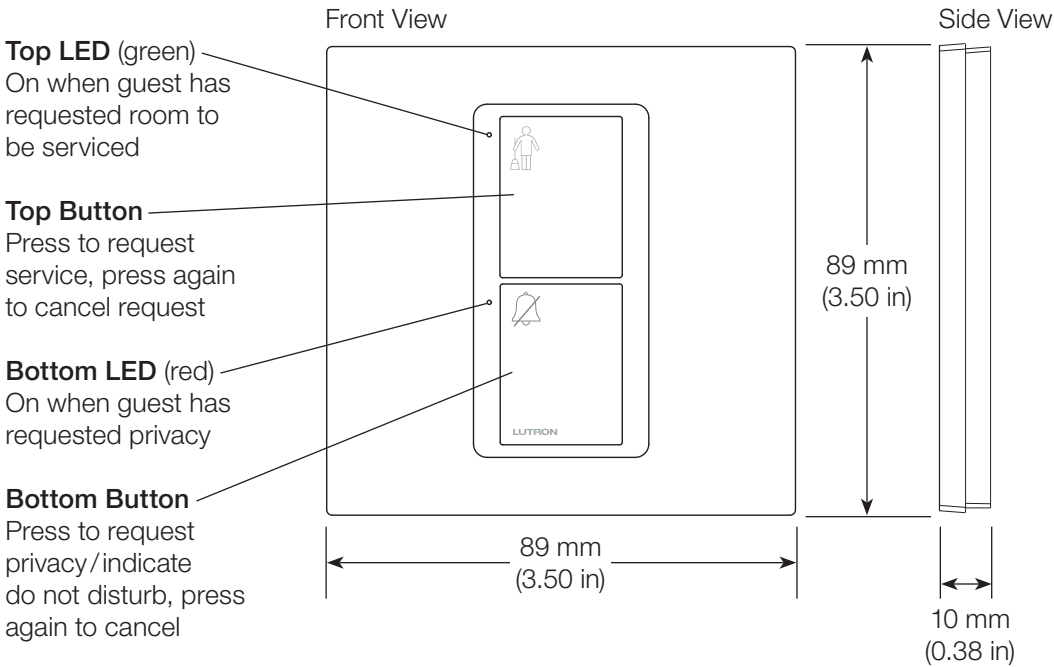


1. Turn OFF the supply breaker that provides power to the Lutron® myRoom™ Guestroom Control Unit to which the Pico® Privacy Control is connected
2. Connect the four (4) conductors to the appropriate terminals of the Lutron® myRoom™ Guestroom Control Unit
 - Total wire length from Lutron® myRoom™ Guestroom Control Unit to device must not exceed 610 m (2000 ft)
3. Turn ON the power

Job Name:	Model Numbers:
Job Number:	

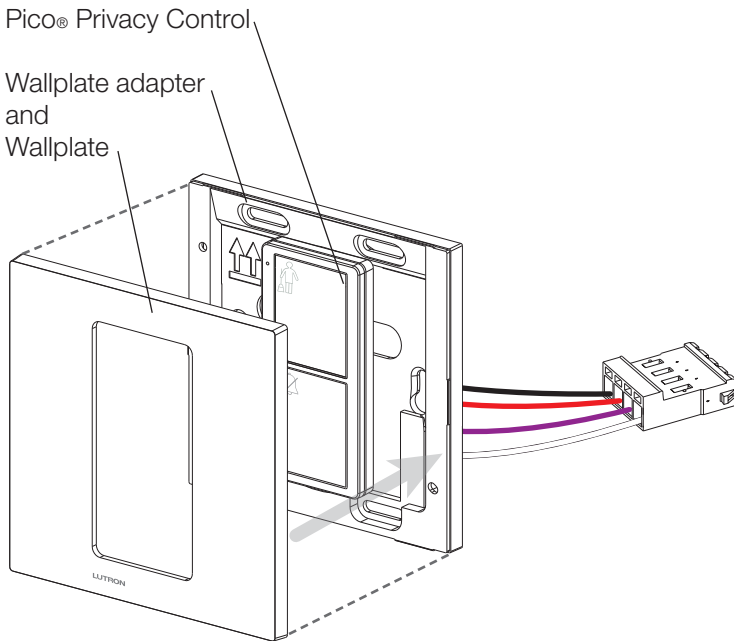
Operation and Dimensions

(1-column wallplate pictured)



Mounting

Wallplate kit sold separately; kit includes wallplate and wallplate adapter.



Job Name:	Model Numbers:
Job Number:	

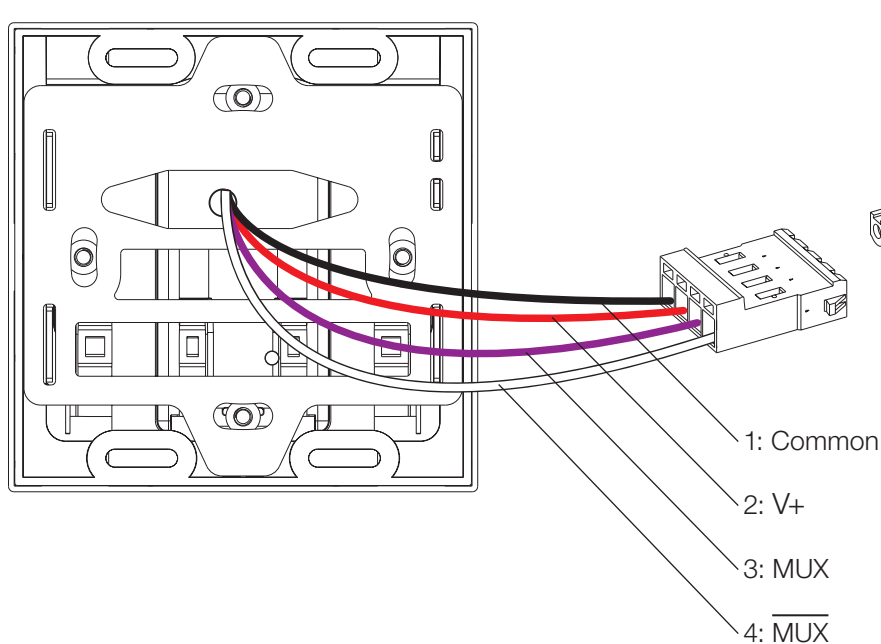
Wallstation Installation

Control Station Device (CSD) Link Wiring

- Use SELV/PELV/NEC® Class 2 wiring to connect wallstations to the QS link
- Two 1,0 mm² (18 AWG) conductors or one 4,0 mm² (12 AWG) conductor for common (terminal 1) and V+ (terminal 2)
- One shielded, twisted pair 0,34 mm² (22 AWG) for data link (terminals 3 and 4)

Wiring to Control Link

Rear View



Note: Use appropriate wire-connecting devices as specified by local codes.

Job Name:	Model Numbers:
Job Number:	