

Low-Voltage Enclosure

Low-voltage enclosures may be either surface-mounted or flush-mounted in an electrical closet or equipment room. Both the number of enclosures and the types of components within them are customized to fit the size, lighting plan, and design of a home. Low-voltage enclosures can be distributed throughout the home near the rooms they are controlling, to provide maximum flexibility during installation of the low-voltage wiring.

17-inch Low-Voltage Enclosure (Model HWI-LV17-120)

The 17-inch low-voltage enclosure accommodates one HWI-H48 dimmer interface.

The enclosure accepts one 120 V~ feed to power the panel, which is self-contained in an enclosed area, thus allowing access to only the low-voltage connections when the enclosure cover is removed.

Model Number

HWI-LV17-120 120 V~
 Low-Voltage Enclosure



Low-Voltage Enclosure



Low-Voltage Enclosure Cover

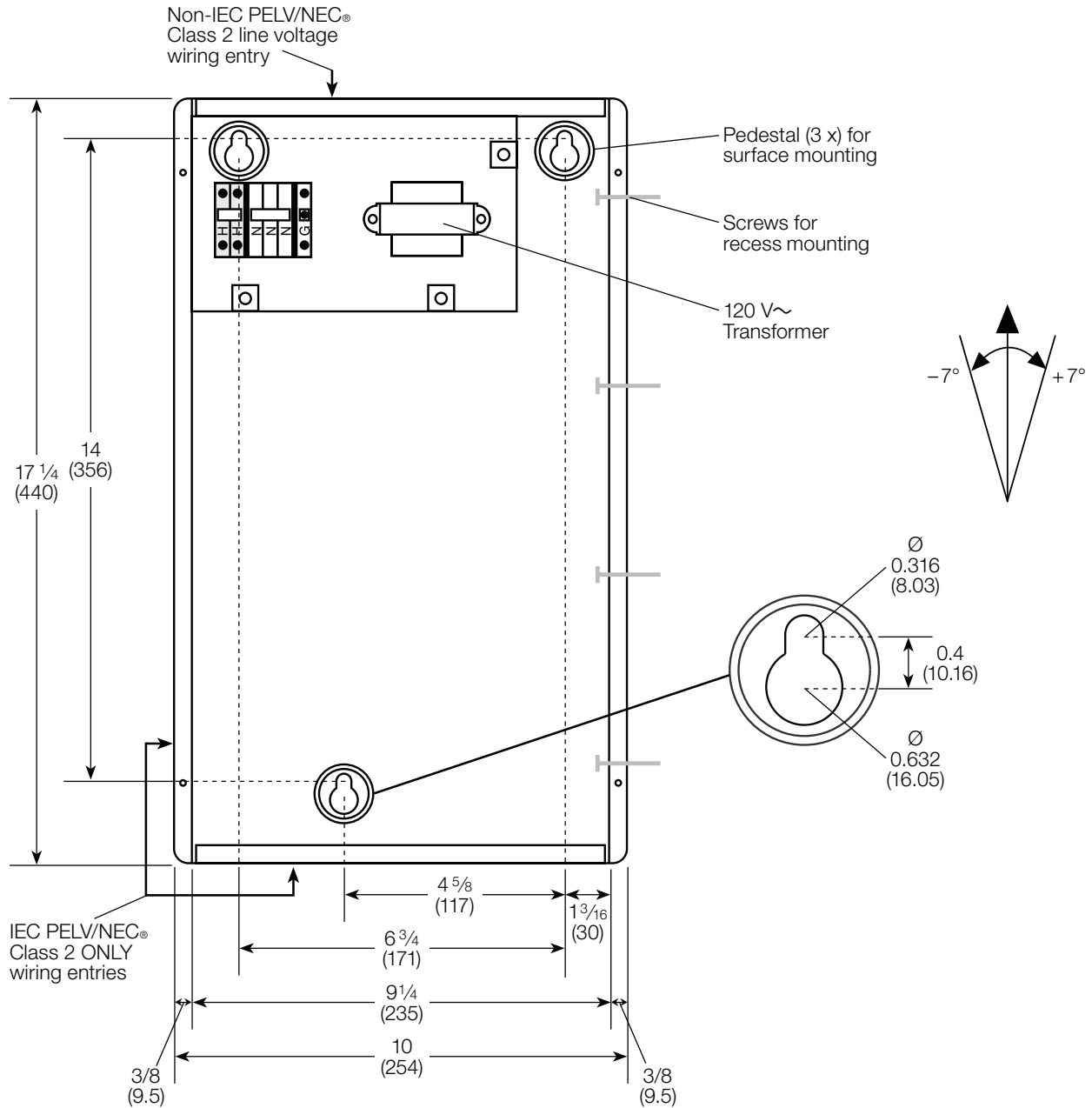
Low-Voltage Enclosure Specifications

Model Number	HWI-LV17-120: 17-inch low-voltage enclosure
Capacity	One dimmer interface (HWI-H48) and one wire landing board (HWI-WLB).
Input Voltage	120 V~ 50/60 Hz
Regulatory Approvals	UL, CSA, NOM
Environment	Ambient operating temperature: 32 °F to 104 °F (0 °C to 40 °C) Ambient operating humidity: 0 to 90% humidity, non-condensing. Indoor use only.
Line-Voltage Connections	Use copper wire only, supply conductors rated at 60 °C to 75 °C, 120 V~ to 12 V~ transformer mounted in top left corner for powering a dimmer interface (HWI-H48). Terminal blocks will accept one 18 AWG to 10 AWG (1.0 mm ² to 2.5 mm ²) wire or two 18 AWG to 16 AWG (1.0 mm ² to 1.5 mm ²) wires. Terminal blocks should be tightened to 3.5 in-lb to 5.0 in-lb (0.40 N•m to 0.57 N•m).
Dimensions	Enclosure: 9¼ in (235 mm) x 17¼ in (440 mm) x 3⅞ in (98 mm) Cover: 10½ in (267 mm) x 17½ in (445 mm)
Mounting	Enclosure may be surface-mounted or recess-mounted. Enclosure fits between standard 16 in (410 mm) on-center stud framing. Mount the enclosure so that line-voltage wiring will be at least 6 ft (1.8 m) from audio or electronic equipment and wiring.
Construction	Enclosure: 16-gauge galvanized sheet metal (unpainted). Cover: Painted (black) metal with ventilation holes. Cover is attached using four phillips-head screws.
Shipping Weight	16 lbs (2.7 kg)
Warranty	http://www.lutron.com/TechnicalDocumentLibrary/HomeWorks_Warranty.pdf http://www.lutron.com/TechnicalDocumentLibrary/HomeWorks_Intl_Warranty.pdf

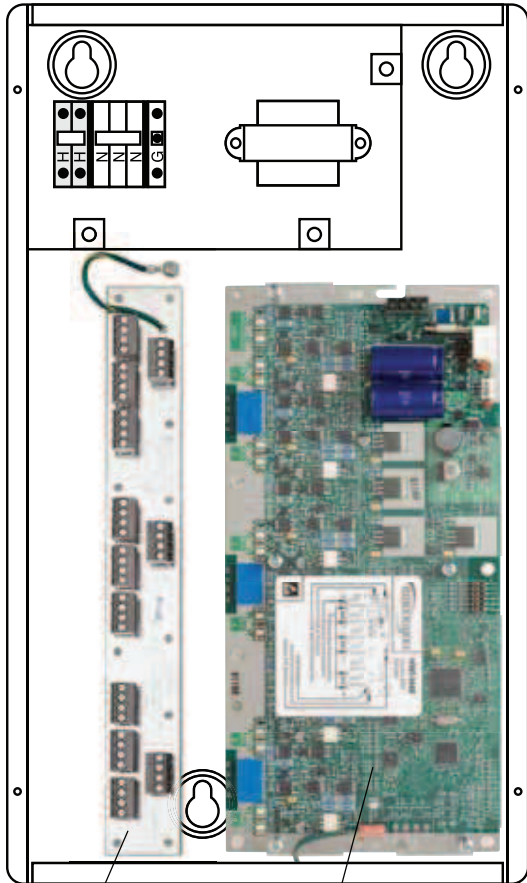
Low-Voltage Enclosure

Dimensions and Mounting

Measurements shown as: in (mm)



Low-Voltage Enclosure Configuration



Wire Landing Board
HWI-WLB

Dimmer Interface
HWI-H48