

Video Conference Indirect Wash LED Fixture

Lutron Video Conference Indirect Wash LED Fixtures provide a combination of horizontal and asymmetrical vertical illumination for optimal video conference lighting. The unique reflector design of this LED luminaire creates even, glare-free light distribution for participants in a video conference and for presenters in a distance learning environment.

Features

- Universal input voltage 120/277 V~
- Excellent for spaces where indirect, balanced lighting is desired, but ceiling heights are too low for suspended luminaires
- Available with Hi-lume 1% EcoSystem with Soft-on, Fade-to-Black LED drivers
- Models available for installation in standard 2 ft x 2 ft or 1 ft x 2 ft T-bar grid ceilings, drywall ceilings, surface mount applications, and diagonal mount for T-bar grid ceilings
- LED assembly is integrated into the fixture
- Emergency driver option available



2 ft x 2 ft Fixture



1 ft x 2 ft Fixture

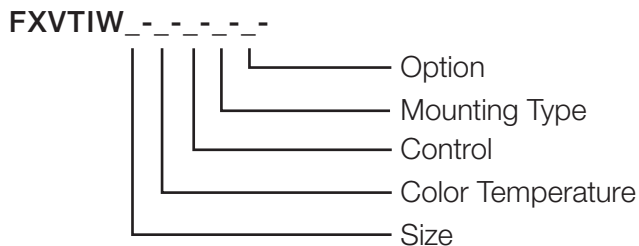


45° 1 ft x 2 ft Fixture

Models Available

For a complete list of available model numbers, please see the **Ordering Guide** on page 3.

Configuration:



Job Name:	Model Numbers:
Job Number:	

Specifications

Regulatory Approvals

- Approved to UL® and CSA standards

Power / Performance

Note: Luminaire rated at 100% light output.

- Universal input voltage 120/277 V~
- Total Harmonic Distortion (THD) <15 %
- Power factor >0.95
- Class A sound rating
- 50,000 hours rated fixture life (LED and driver)
 - LED life rated at 70% initial lumens (L70)
- Dimming range: 100% to 1% of total light output
- LED Features
 - 24 W 1600 lm and 45 W 4000 lm models available
 - 3500 K, and 4000 K color temperature LEDs available

Environment

- 32 °F to 104 °F (0 °C to 40 °C)
- Relative humidity less than 90% non-condensing
- For indoor use only

Compatible Controls

The following controls are available for use with Lutron dimmable fixtures:

- GRAFIK Eye QS
- Quantum
- Vive
- Energi Savr Node
- PowPak
- Wireless Fixture Controller

Key Design Features

- Design provides even, three-directional illumination for video conferencing and wall wash applications
- Fixture minimizes glare for individuals being illuminated
- Designed to lay into standard NEMA® Type G grid (suspended T-bar) ceilings
- Gypsum ceiling and surface mount options available
- Metal housing is finished with a post painted white TGIC polyester powder coat
- Fixture is made of 22 gauge cold-rolled steel
- Single-piece 97% high purity diffuse aluminum reflector
 - 1 ft x 2 ft fixture includes high-reflectance white diffuser
- Reflector removes without tools
- Quick access plate permits convenient power connections
- Lutron Hi-lume 1% EcoSystem with Soft-on, Fade-to-Black
- Smooth, continuous flicker free dimming
- Diagonal mount option is available for T-Bar ceilings for podium applications

<p>Job Name:</p> <p>Job Number:</p>	<p>Model Numbers:</p>
--	------------------------------

Ordering Guide

Select appropriate code in each column to complete model number.

Example: FXVTIWIXNLEUTBXX

Product	Family	Fixture Type	Size	Color Temp	Control	Mounting Type	Option
FX = Fixtures	VT = Video Conference	IW = Indirect Wash	1X = 1 x 2 ft 24 W 1600 lm	NL = Neutral White LED 3500 K	EU = 1% EcoSystem 120/277 V~	TB = T-bar	XX = None
			2X = 2 x 2 ft 45 W 4000 lm	CL = Cool White LED 4000 K		GY = Gypsum	E7 = Emergency Driver
						SM = Surface Mount	
						DB = 45° Diagonal ¹	

¹ Available for 1 ft x 2 ft T-Bar mount fixtures only.

Not for use in Quebec.

Job Name:	Model Numbers:
Job Number:	

Photometric Data

1 ft x 2 ft LED 24 W Indirect Wash Fixture (FXVTIW1XNL)

Measured in an Integrating Sphere

Photometric Summary	
LIGHT OUTPUT (lm)	1590
INPUT POWER (W)	25.31
EFFICACY (lm/W)	62.6
COLOR ACCURACY (CRI)	82.0
COLOR TEMPERATURE (K)	3445

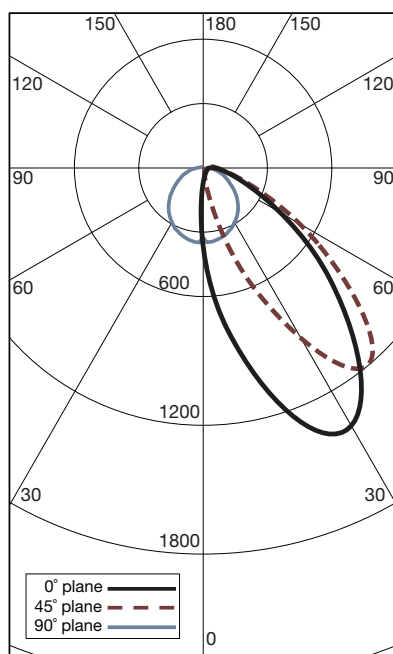
Measured with a Goniophotometer

Zonal Lumen Summary		
Zone	lm	% Luminaire
0-30	269	17.08
0-60	1231	78.09
0-90	1576	100.0
90-180	0	0.0
0-180	1576	100.00

Candela Table			
Angle	0°	45°	90°
0	135	135	135
5	145	214	249
45	113	1151	1037
90	0	0	0

Candela Plot

(measured with fixture mounted on the ceiling)



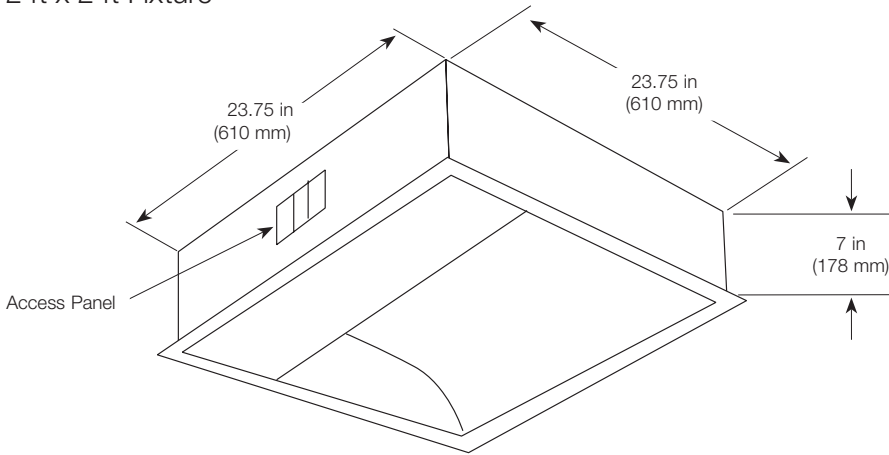
NOTES:

- Photometric data and IES files for all products available upon request. Please email fixtures@lutron.com or contact Lutron Customer Assistance at 1.844.LUTRON1 (588.7661).
- Photometric test results from LM-79 reports.

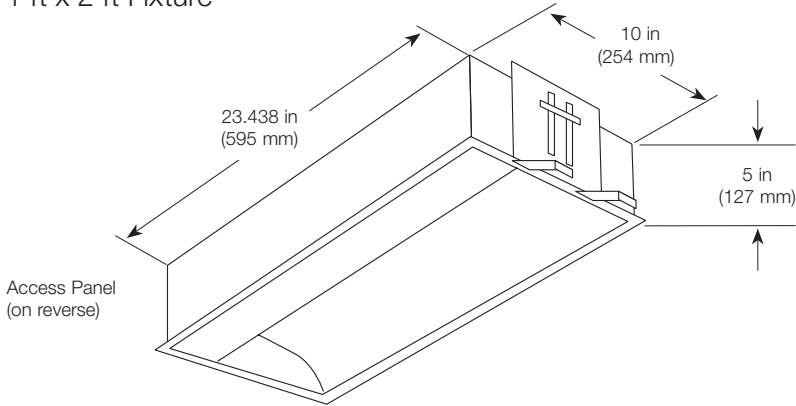
Job Name:	Model Numbers:
Job Number:	

Dimensions

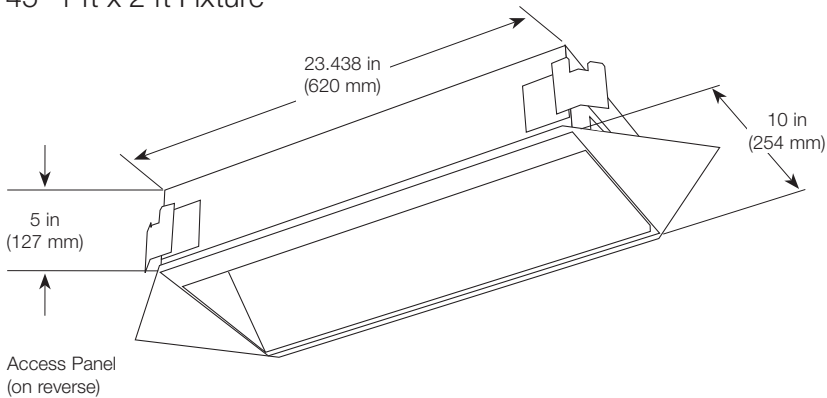
2 ft x 2 ft Fixture



1 ft x 2 ft Fixture



45° 1 ft x 2 ft Fixture



Lutron, Lutron, EcoSystem, Energi Savr Node, GRAFIK Eye, Hi-lume, PowPak, and Quantum are trademarks or registered trademarks of Lutron Electronics Co., Inc. in the U.S. and/or other countries.

UL and the UL logo are trademarks of UL LLC.

NEMA is the registered trademark and service mark of the National Electrical Manufacturers Association.

LUTRON SPECIFICATION SUBMITTAL

Page

Job Name:	Model Numbers:
Job Number:	